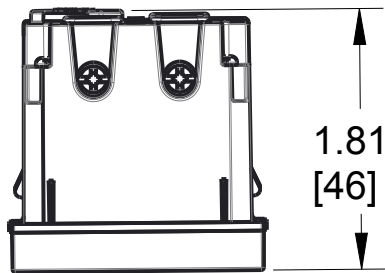


2

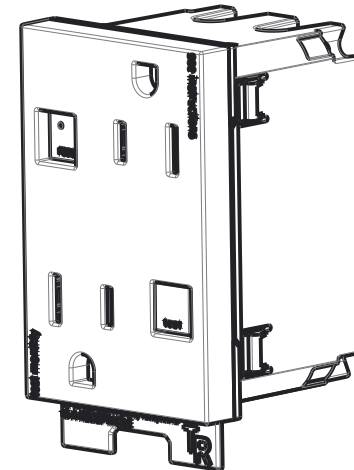
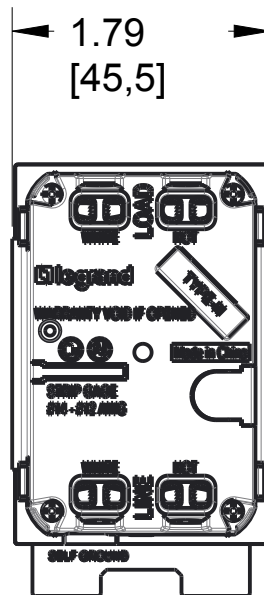
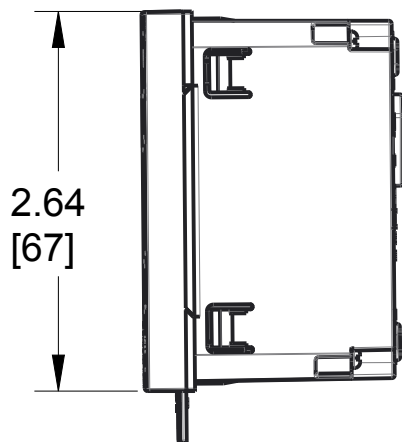
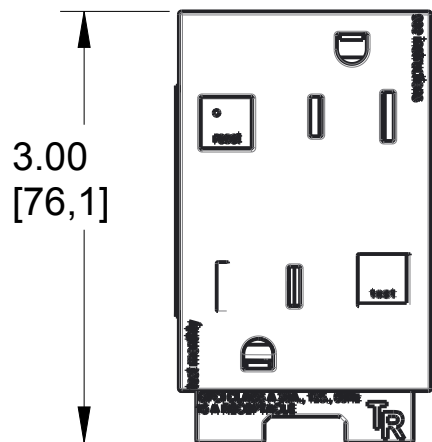
1



REV	EC.NO.	DATE	DESCRIPTION	DFTR	CK.
A			INITIAL RELEASE		

B

B



A

A

Size Face: 3x2 Module  
 Size Backbody: 3x2 Module  
 3rd Party Compliance: cULus LISTED  
 Rating: 15A, 125V  
 Termination: Back Wire Only  
 Misc: Copper Wire Only  
 For Use With adorne System Only  
 Works With All Standard Wall Boxes

AGFTR153, adorne GFCI Tamper-Resistant 3-Module 15A

MATERIAL	SEE NOTE	UNSPECIFIED TOL. FRAC. ± 1/64 ANGLES ± 1.0 DEC .0 ± 0.02 .00 ± 0.01 .000 ± 0.001	 		
FINISH	SEE NOTE				
DSGN BY:	6/4/2015		MODEL NAME:	AGFTR153	
DR BY:		SHT 1of1	PROJ.	DWG NO.:	REV.:
CK BY:		SCALE:	0.750	CD1185	A

NOTICE: Proprietary and confidential information of Pass & Seymour/Legrand  
 Reproduction or disclosure prohibited under penalty of law.

2

1