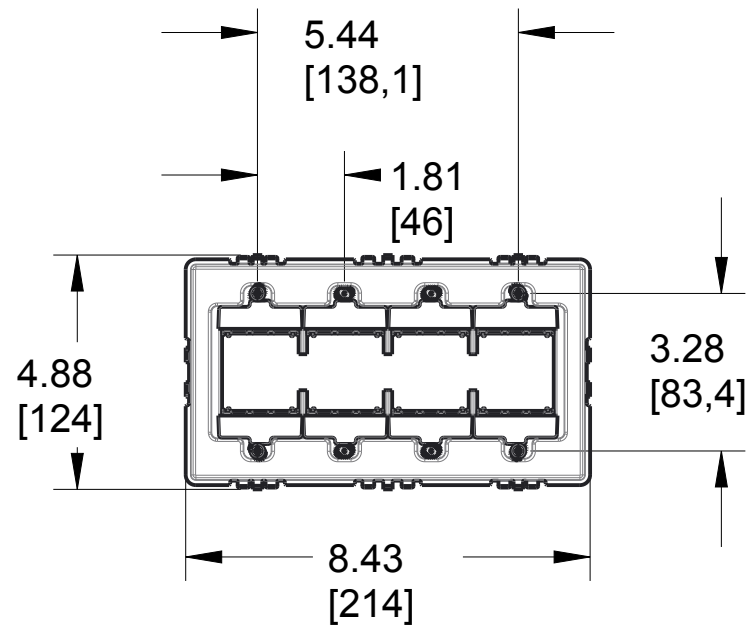
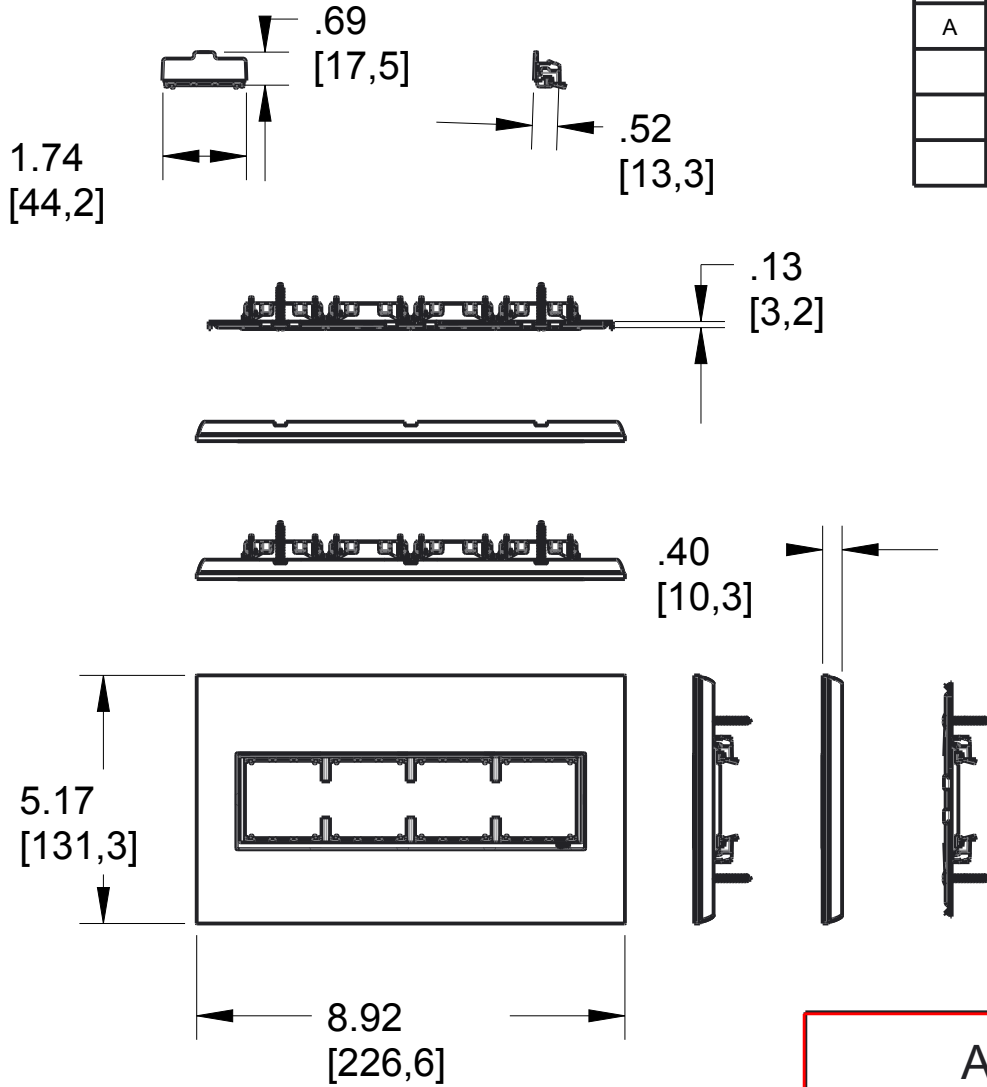


2

1

REV	EC.NO.	DATE	DESCRIPTION	DFTR	CK.
A			INITIAL RELEASE		



3rd Party Compliance: cULus LISTED,
 cETLus LISTED
 Includes Wallplate, Subframe And Spacers Shown
 For Use With adorne System Only
 All adorne System Subframes Are Grounded
 All adorne Wallplates Containing Metal Are
 Grounded

AWM4G, Wallplate Material 4-Gang					
MATERIAL	SEE NOTE	UNSPECIFIED TOL. FRAC. $\pm 1/64$ ANGLES ± 1.0 DEC. 0 ± 0.02 $.00 \pm 0.01$ $.000 \pm 0.005$	Pass & Seymour legrand		
FINISH	SEE NOTE				
DSGN BY: RMR	5/20/2015		MODEL NAME: AWM4G		
DR. BY:		SHT 1 of 1	PROJ.	DWG. NO.: CD1160	REV.: A
CK. BY:		SCALE: 0.250			
NOTICE: Proprietary and confidential information of Pass & Seymour/Legrand Reproduction or disclosure prohibited under penalty of law.					

2

1