

2

1

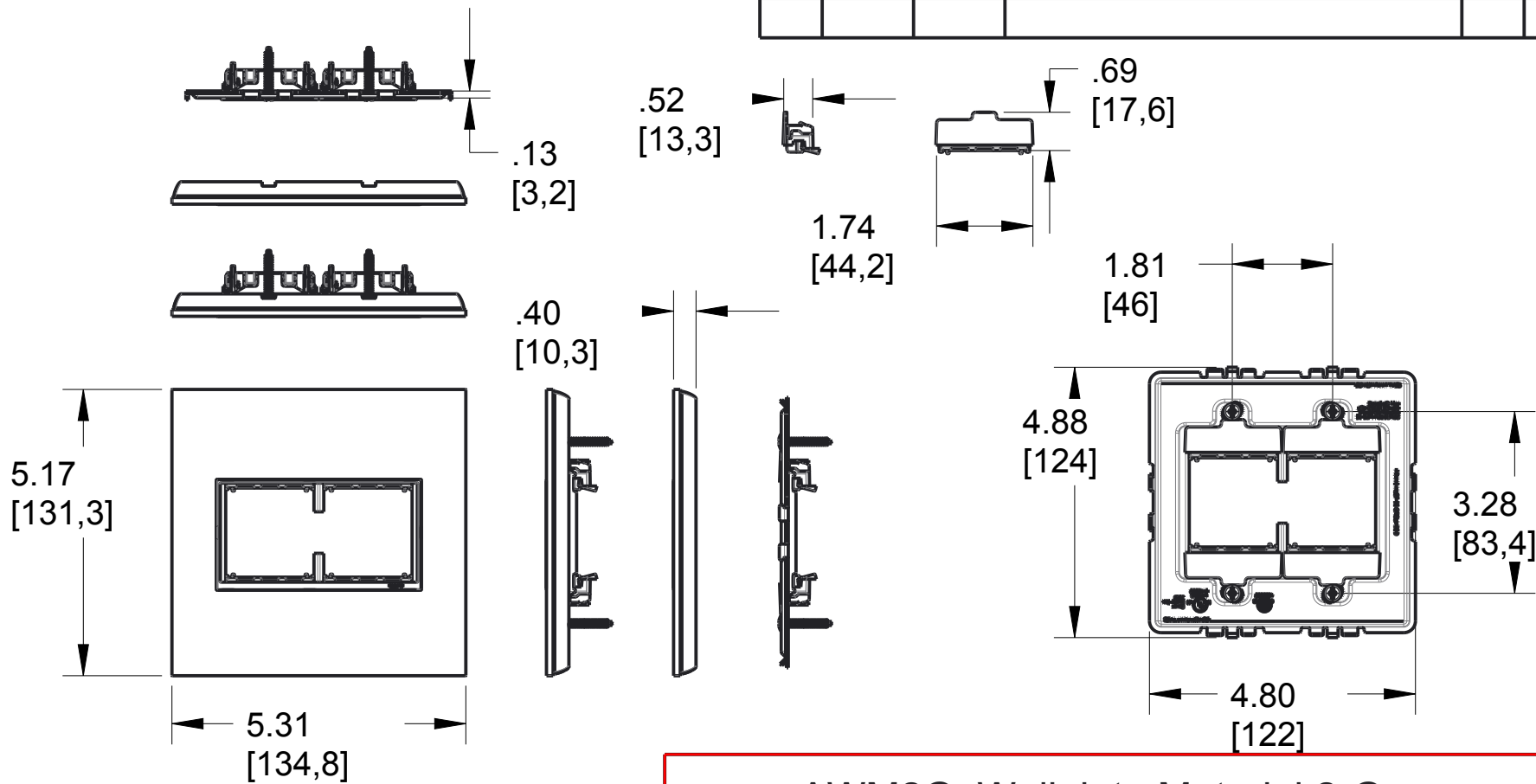
REV	EC.NO.	DATE	DESCRIPTION	DFTR	CK.
A			INITIAL RELEASE		

B

B

A

A



3rd Party Compliance: cULus LISTED,
 cETLus LISTED
 Includes Wallplate, Subframe And Spacers Shown
 For Use With adorne System Only
 All adorne System Subframes Are Grounded
 All adorne Wallplates Containing Metal Are
 Grounded

AWM2G, Wallplate Material 2-Gang

MATERIAL	SEE NOTE	UNSPECIFIED TOL. FRAC. ± 1/64 ANGLES ± 1.0 DEC .0 ± 0.02 .00 ± 0.01 .000 ± 0.005	 		
FINISH	SEE NOTE				
DSGN BY: RMR	5/20/2015		MODEL NAME: AWM2G		
DR BY:		SHT 1 of 1	PROJ.	DWG NO.: CD1158	REV.: A
CK BY:		SCALE: 0.333			

NOTICE: Proprietary and confidential information of Pass & Seymour/Legrand
 Reproduction or disclosure prohibited under penalty of law.

2

1