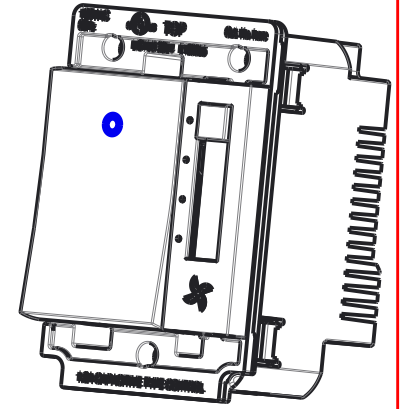
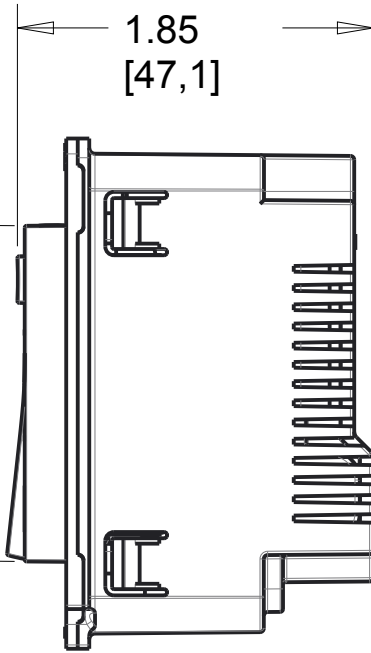
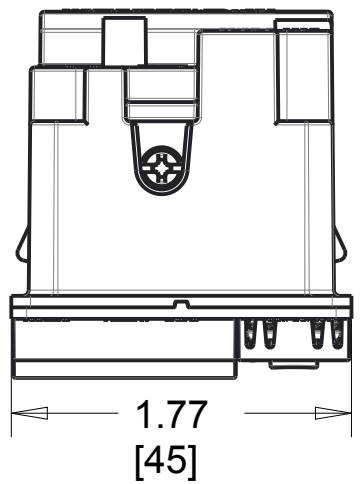


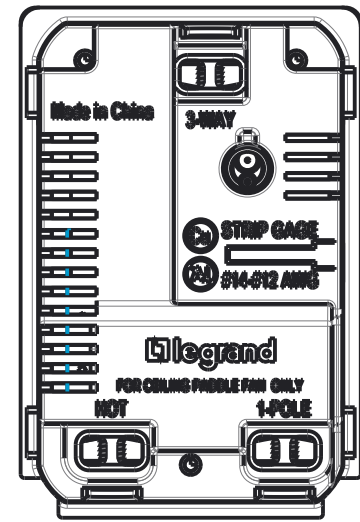
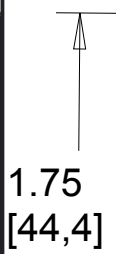
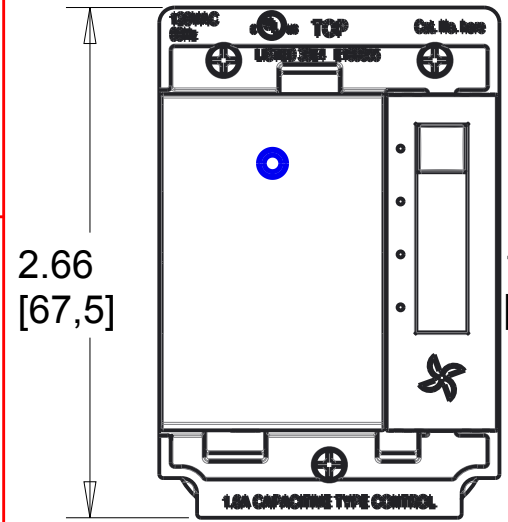
2

1

REV	EC.NO.	DATE	DESCRIPTION	DFTR	CK.
A			INITIAL RELEASE		



SCALE 0.750



B

B

A

A

Size Face: 2x2 Module
 Size Backbody: 3x2 Module
 Rating: 1.6A, 120 VAC, Paddle-Type Ceiling Fan
 3rd Party Listing: cULus LISTED
 Termination: Back Wire, Ground Lead Wire
 Misc: Copper Wire Only
 For Use With adorne System Only
 Accepts Locator Status Light

AAFN4S16A, Paddle Fan Speed Control					
MATERIAL	SEE NOTE	UNSPECIFIED TOL. FRAC. ± 1/64 ANGLES ± 1.0 DEC. 0 ± 0.02		 	
FINISH	SEE NOTE	.00 ± 0.01 .000 ± 0.001			
DSGN BY:	5/14/2015	MODEL NAME: AAFN4S16A			
DR BY:		SHT 1of1	PROJ.	DWG NO.: CD1144	REV.: A
CK BY:		SCALE: 1.000			
NOTICE: Proprietary and confidential information of Pass & Seymour/Legrand Reproduction or disclosure prohibited under penalty of law.					

2

1