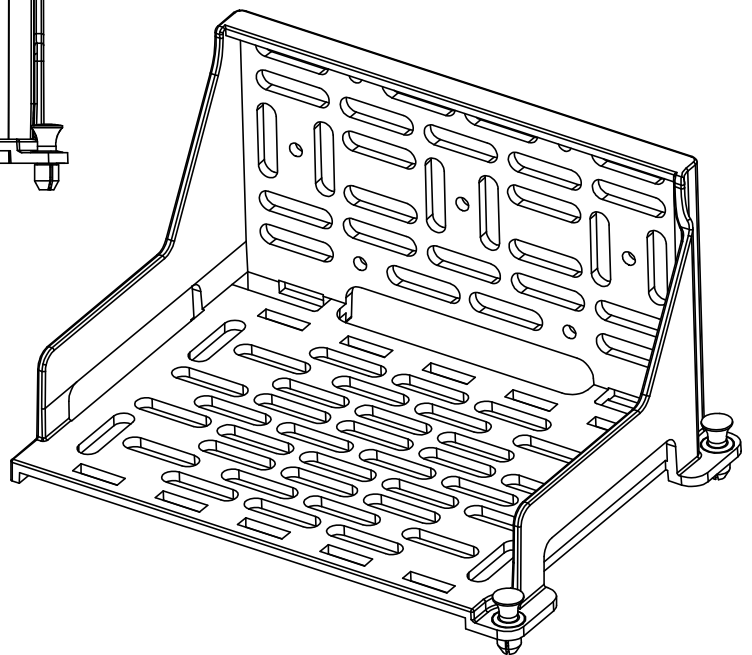
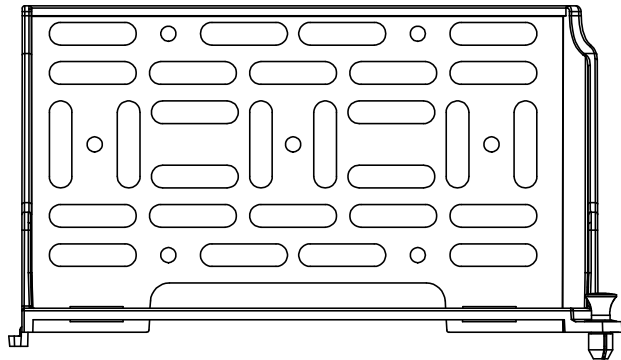
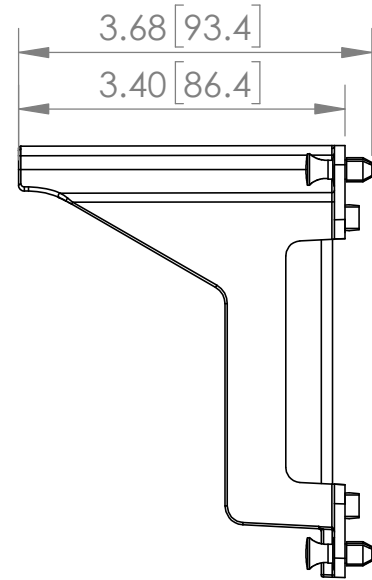
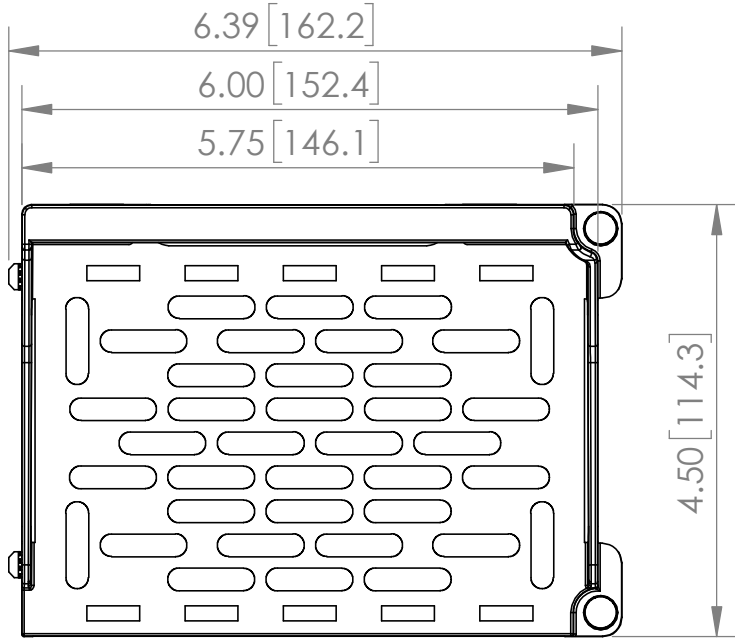


2

1



B

B

A

A

PROPRIETARY AND CONFIDENTIAL
THE INFORMATION CONTAINED
IN THIS DRAWING IS THE SOLE
PROPERTY OF OnQ/LEGRAND.
ANY REPRODUCTION IN PART OR
AS A WHOLE WITHOUT THE WRITTEN
PERMISSION OF OnQ/LEGRAND
IS PROHIBITED. DRAWING IS SUBJECT
TO CHANGE WITHOUT NOTICE.



P.O. Box 60907
Harrisburg, PA 17106-0907
1-800-321-2343

TITLE:

ONQ SHELF

SIZE	DWG NO	FILE NAME	CUST REV
A	AC1060	CD-AC1060	A
REVISED DATE	03/29/21	SCALE	SHEET
		1 : 1	1 OF 1

2

1