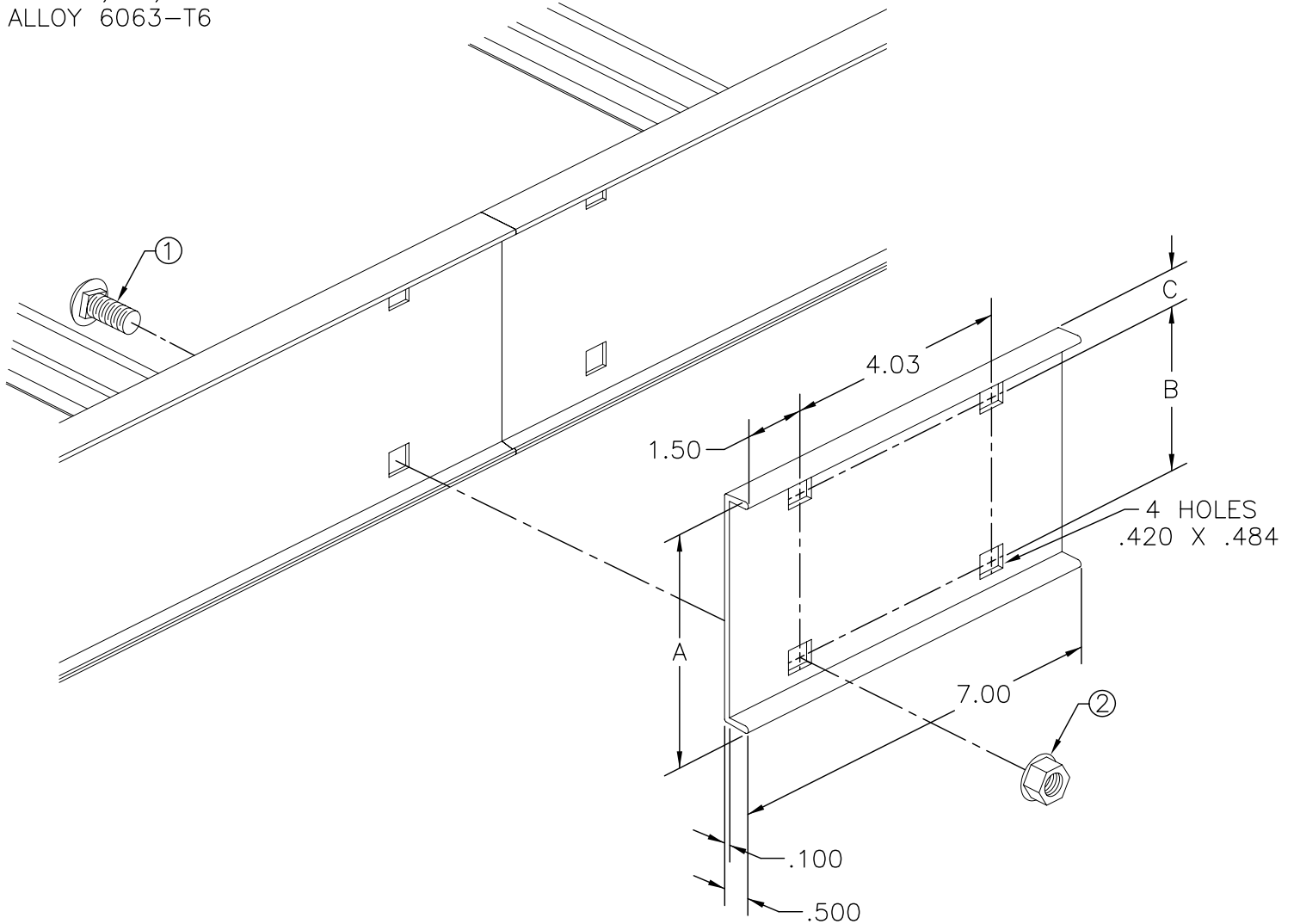


ALUMINUM WEDGE LOCK SPLICE PLATE
FOR 4", 5", 6" AND 7" ALUMINUM TRAY
ALLOY 6063-T6



CATALOG NO.	A	B	C	TRAY DEPTH
9A-1004	4.00	2.84	.575	4"
9A-1005	4.88	3.73	.575	5"
9A-1006	6.00	4.84	.575	6"
9A-1007	7.00	5.84	.575	7"

1. 3/8"-16 X 3/4 SHORT NECK CARRIAGE BOLT.
 2. 3/8"-16 FREE SPINNING SERRATED FLANGED LOCK NUT
- SPLICE PLATE SNAPS INTO SIDE RAILS AND LOCKS IN PLACE WHILE CARRIAGE BOLTS ARE INSERTED.
- RECOMMENDED TORQUE = 19 FT LBS.

COOPER B-Line

509 WEST MONROE STREET
HIGHLAND, ILLINOIS 62249
PHONE (618)-654-2184

TITLE:
ALUMINUM WEDGE LOCK

EQUIPMENT FURNISHED HAS BEEN FABRICATED
IN ACCORDANCE WITH THIS DRAWING.

PRODUCT DWG. NO'S:

3789 3788
3790 3466

SHEET OF
DRAWN BY: DR

DRAWING NO.
S3789

DATE: 8/7/97