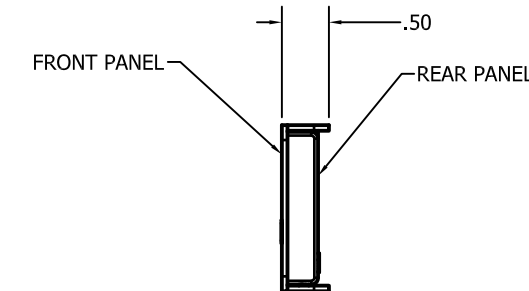
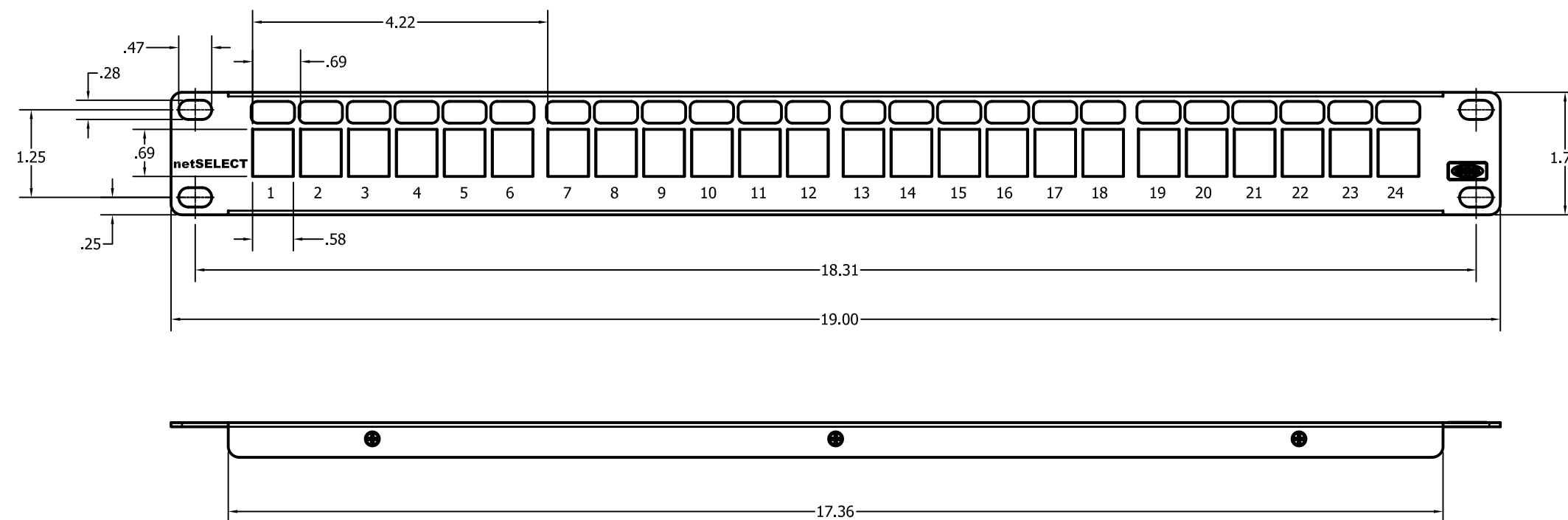
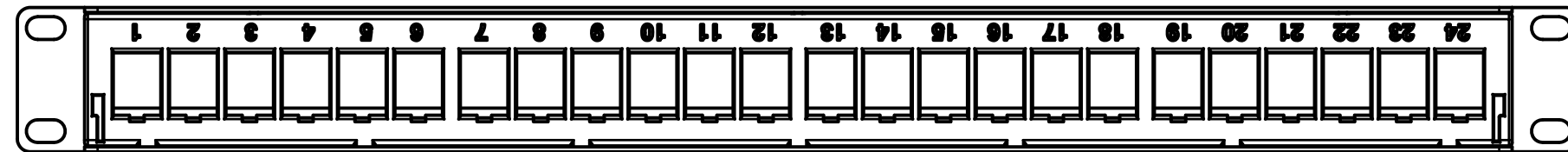
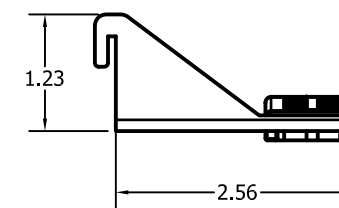
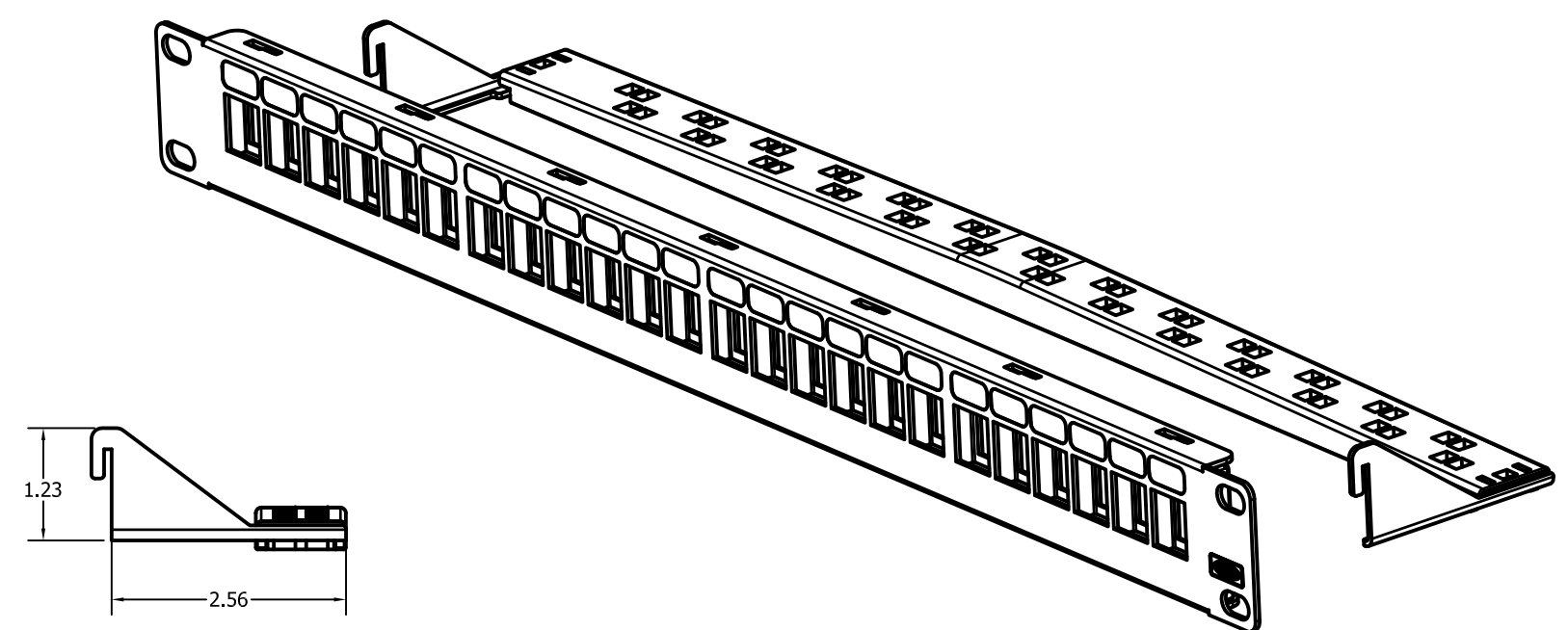
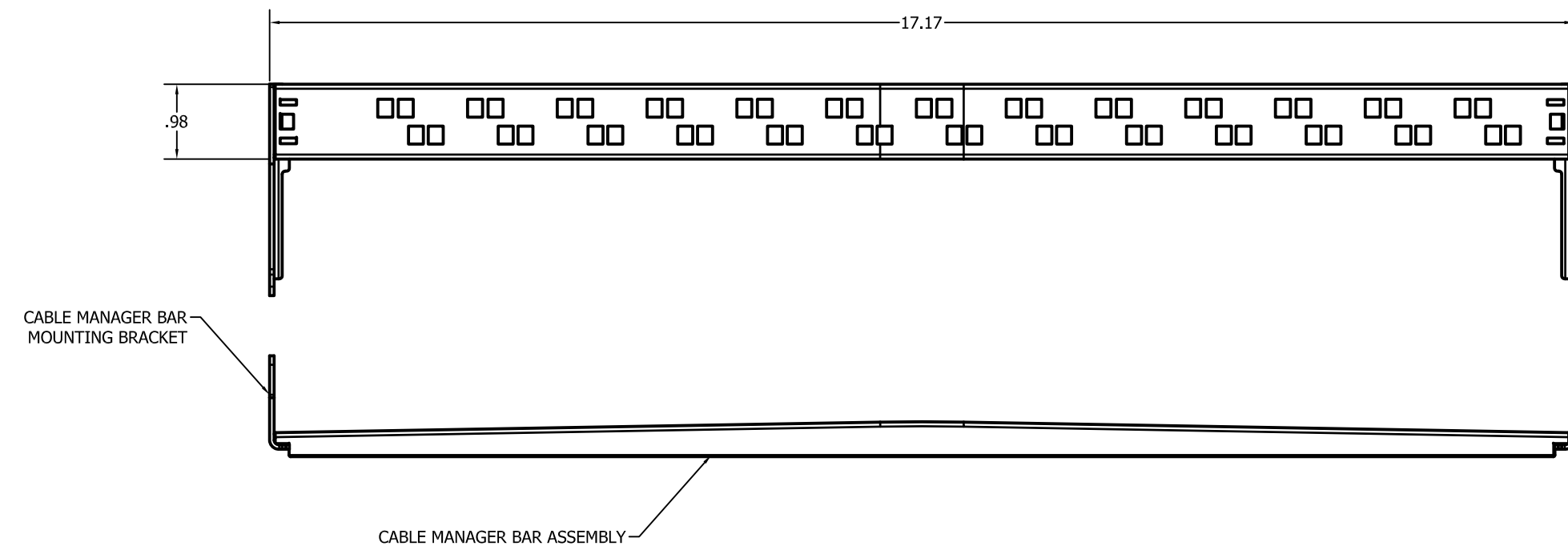


CATALOG	DESCRIPTION
NSPJ24	P-PANEL, JACK, UNLD, NETSEL, 24P, 19"WX1.75"H



- NOTES:
- MATERIALS:  
 FRONT PANEL: SAE 1010 STEEL, POWDER PAINTED BLACK  
 REAR PANEL: U/L 94 V-0 PLASTIC  
 CABLE MANAGER BAR MOUNTING BRACKETS: STEEL  
 CABLE MANAGER BAR: U/L 94 V-0 PLASTIC
  - KIT CONTAINS: ONE PANEL, ONE CABLE MANAGER BAR, 24 WIRE TIES, AND ONE HARDWARE PACK.
  - SPECIFICATIONS SUBJECT TO CHANGE WITHOUT NOTICE.

REV.	ECN	DATE	DESCRIPTION	CHG BY	APPD BY
4	22457	04/28/17	REVISED TABLE	AK	MMA

Created on INVENTOR

DIMENSIONING AND TOLERANCE PER ANSI Y14.5M-1982. UNLESS OTHERWISE SPECIFIED, DIMENSIONS ARE IN INCHES (MM). TOLERANCES: XX = ±.01 (.25), .XXX = ±.005 (.127), .XXXX = ±.0025 (.0635), ANGLE TOL ±1°

IN ACCEPTING OUR DRAWINGS, BLUEPRINTS, OR SUPPORTING DOCUMENTATION FOR QUOTATION OR OTHER PURPOSES, YOU AGREE NOT TO DISCLOSE TO OTHERS THE IDEAS, INFORMATION, OR DESIGNS SHOWN HEREIN, AND THAT YOU WILL MAKE NO USE OF SAME WITHOUT PERMISSION

PROJECT REFERENCE: NPD00617	MATERIAL: SEE NOTE 1
DRAWN BY: D.O'CONNOR 9/9/15	CHECKED BY:
APPROVED BY:	

		<b>Hubbell Premise Wiring</b> HUBBELL INCORPORATED (Delaware) 23 CLARA DRIVE, SUITE 103 MYSTIC, CT 06355	
TITLE: 24 PORT UNLOADED PANEL WITH BAR			
SIZE D	DRAWING NO. HWS14546C	REV. 4	
SCALE: DNS	SHEET 1 OF 1		