

M-14518 1

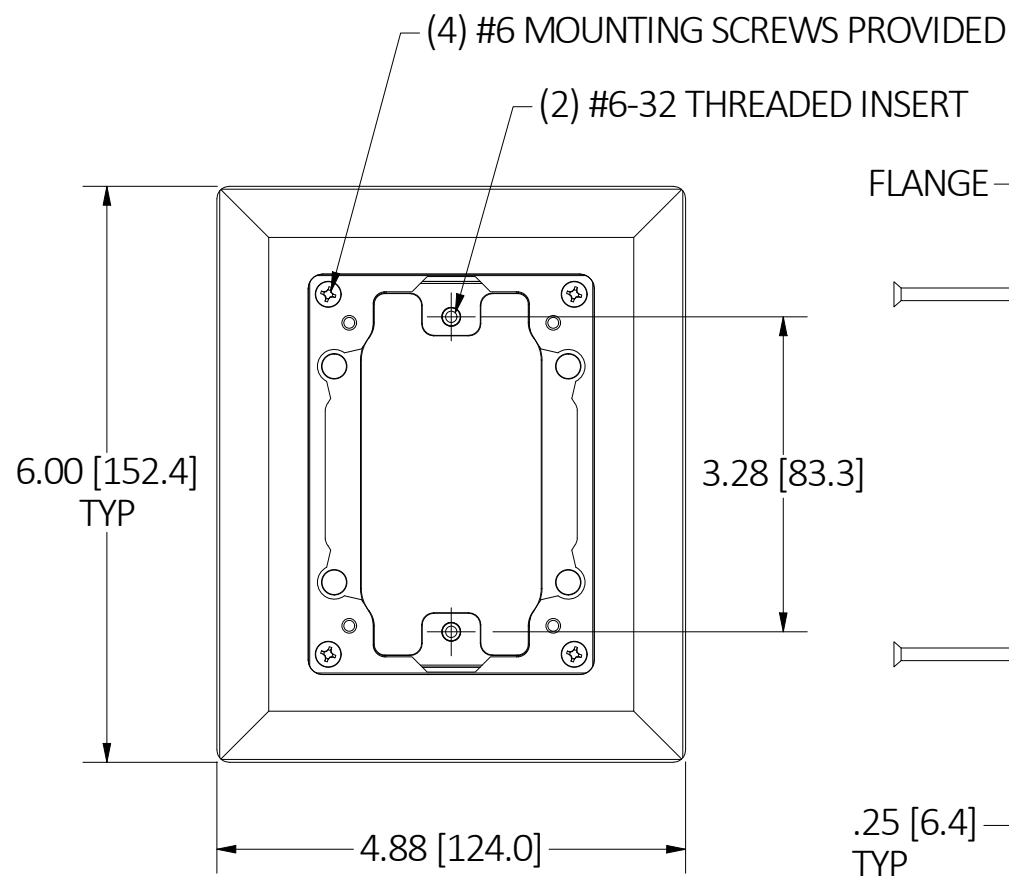


FIGURE 1

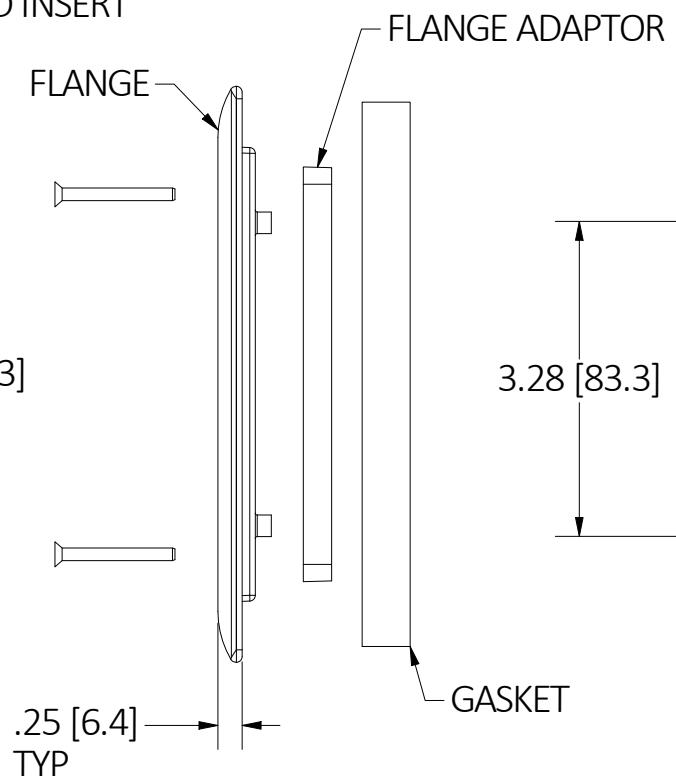


FIGURE 4

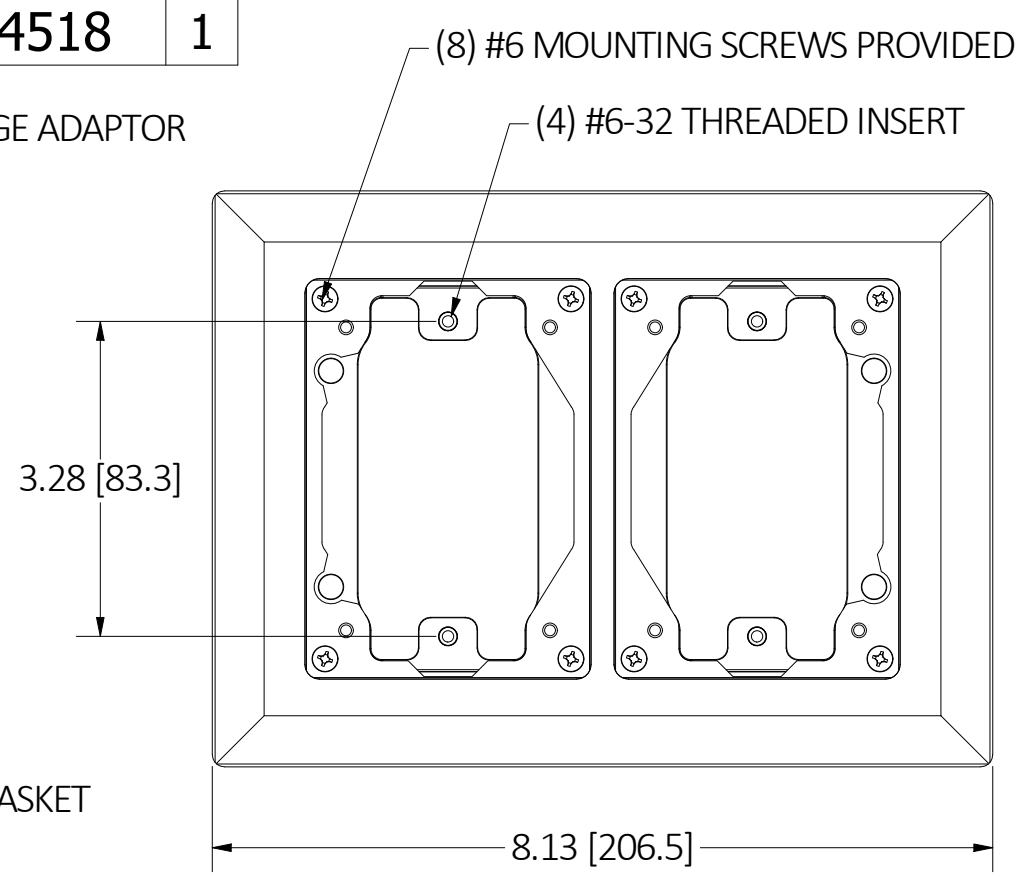


FIGURE 2

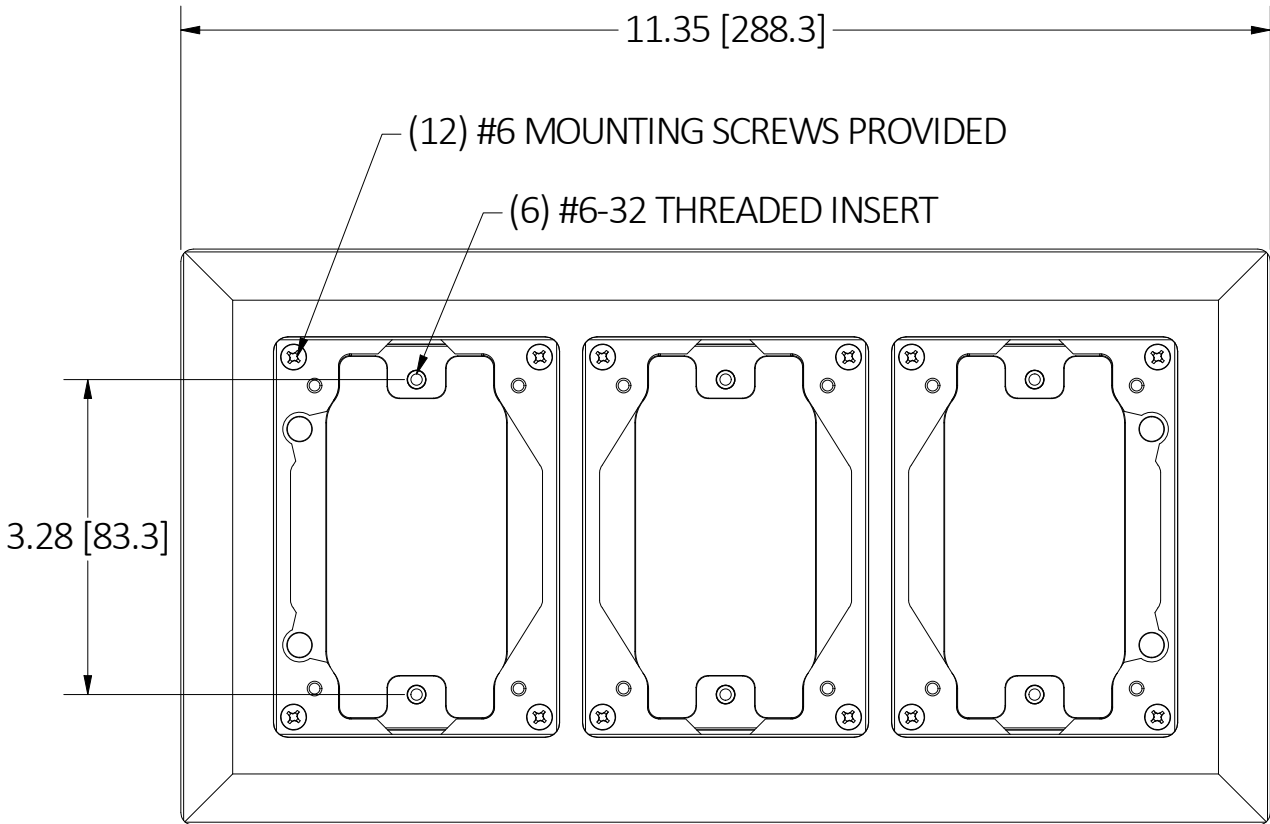


FIGURE 3

TABLE			
CAT. No.	DESCRIPTION	COLOR	FIGURE
MFBRFBL1	NM CARP FLNG, RECT MTL FB, 1-G, BLK	BLACK	1, 4
MFBRFBL2	NM CARP FLNG, RECT MTL FB, 2-G, BLK	BLACK	2, 4
MFBRFBL3	NM CARP FLNG, RECT MTL FB, 3-G, BLK	BLACK	3, 4
MFBRFBR1	NM CARP FLNG, RECT MTL FB, 1-G, BRN	BROWN	1, 4
MFBRFBR2	NM CARP FLNG, RECT MTL FB, 2-G, BRN	BROWN	2, 4
MFBRFBR3	NM CARP FLNG, RECT MTL FB, 3-G, BRN	BROWN	3, 4
MFBRFGY1	NM CARP FLNG, RECT MTL FB, 1-G, GRY	GRAY	1, 4
MFBRFGY2	NM CARP FLNG, RECT MTL FB, 2-G, GRY	GRAY	2, 4
MFBRFGY3	NM CARP FLNG, RECT MTL FB, 3-G, GRY	GRAY	3, 4
MFBRFI1	NM CARP FLNG, RECT MTL FB, 1-G, IVY	IVORY	1, 4
MFBRFI2	NM CARP FLNG, RECT MTL FB, 2-G, IVY	IVORY	2, 4
MFBRFI3	NM CARP FLNG, RECT MTL FB, 3-G, IVY	IVORY	3, 4

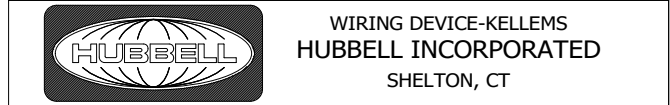
NOTE:
1. DIMENSIONS ARE IN INCHES [MM].

LIST OF PARTS		
DESCRIPTION	MATERIAL	FINISH
FLANGE ADAPTOR	THERMOPLASTIC	GRAY
FLANGE	THERMOPLASTIC	COLOR PER CAT.#
GASKET	ELASTOMER	-
SCREWS	STEEL	ZINC PLATE
THREADED INSERT	BRASS	-

1	INITIAL RELEASE PER DCN #220422019408	SW	4/22/22
	DESCRIPTION	APP	DATE

THE DESIGN AND DIMENSIONS OF THE PRODUCT SHOWN ON THIS DRAWING ARE SUBJECT TO CHANGE WITHOUT NOTICE. DIMENSIONS ARE IN INCHES [mm].

TITLE
FLANGES, SINGLE, TWO & THREE GANG



TOLERANCES UNLESS OTHERWISE SPECIFIED .XX = ±.01 .XXX = ±.005 ANGLE TOL. ±2'	DR. BY PSV	SCALE 1:2
	CHK. BY SW	DATE 4/22/22