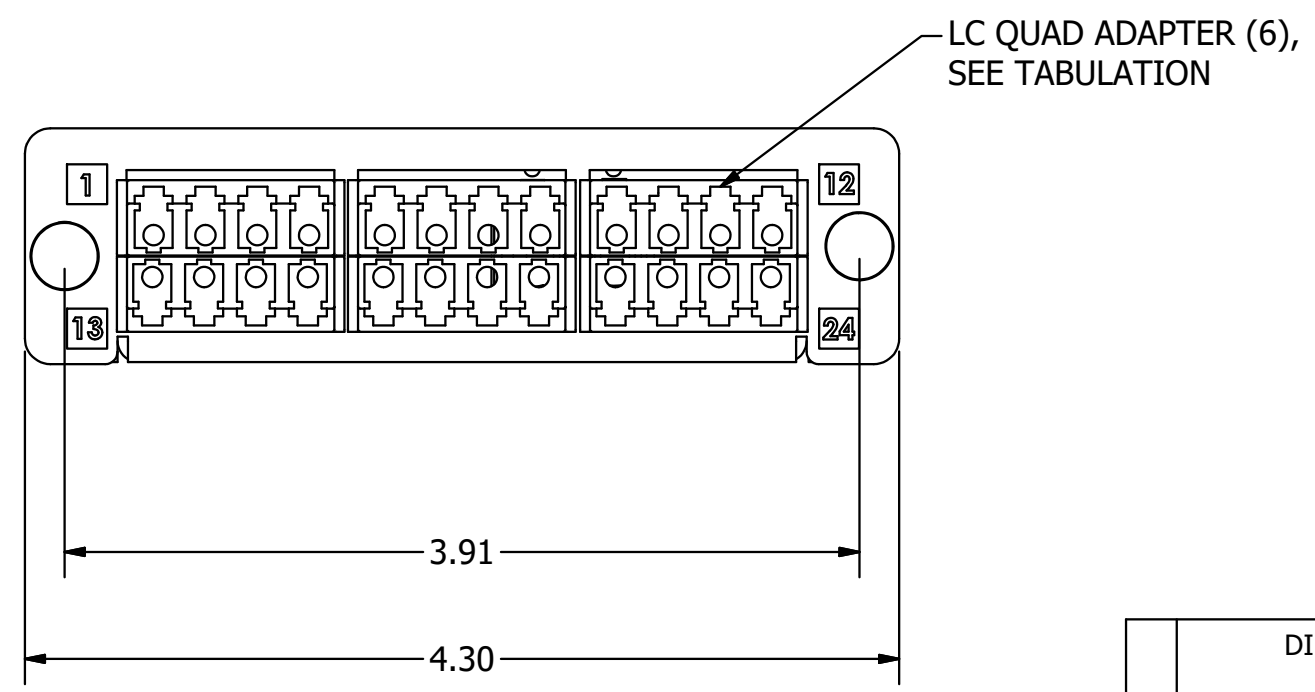
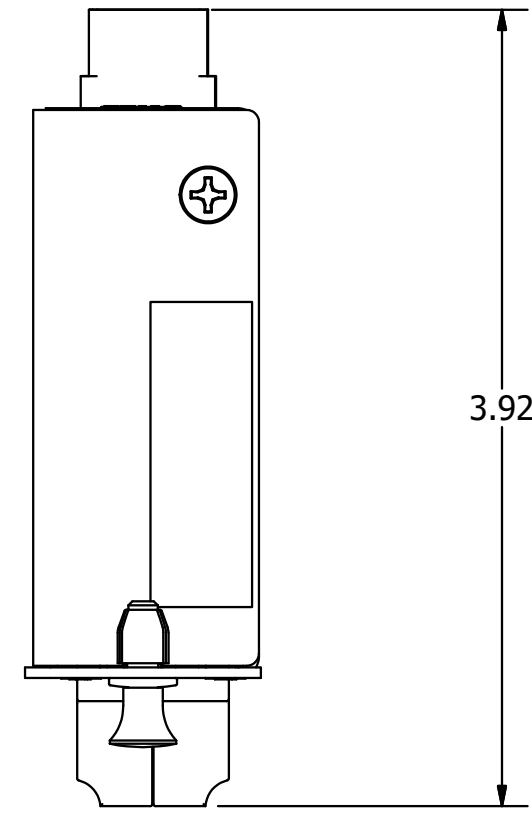
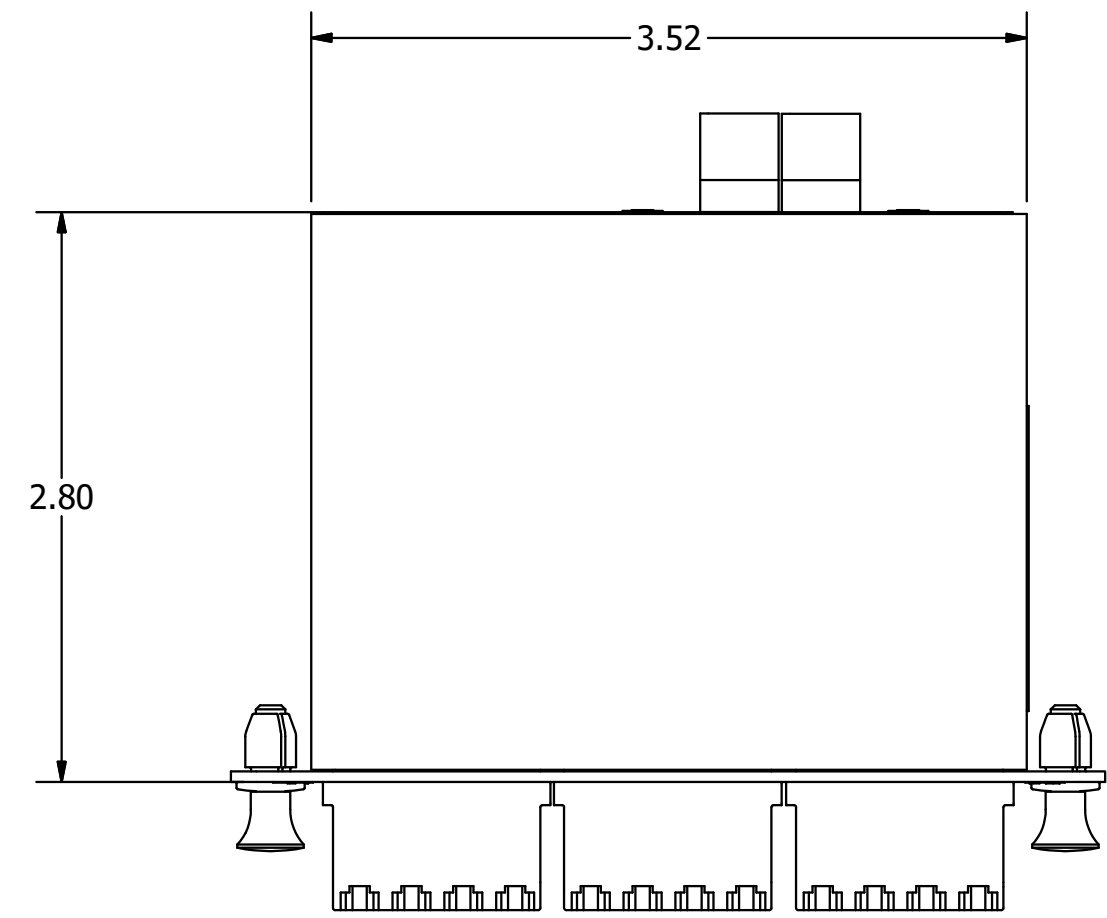
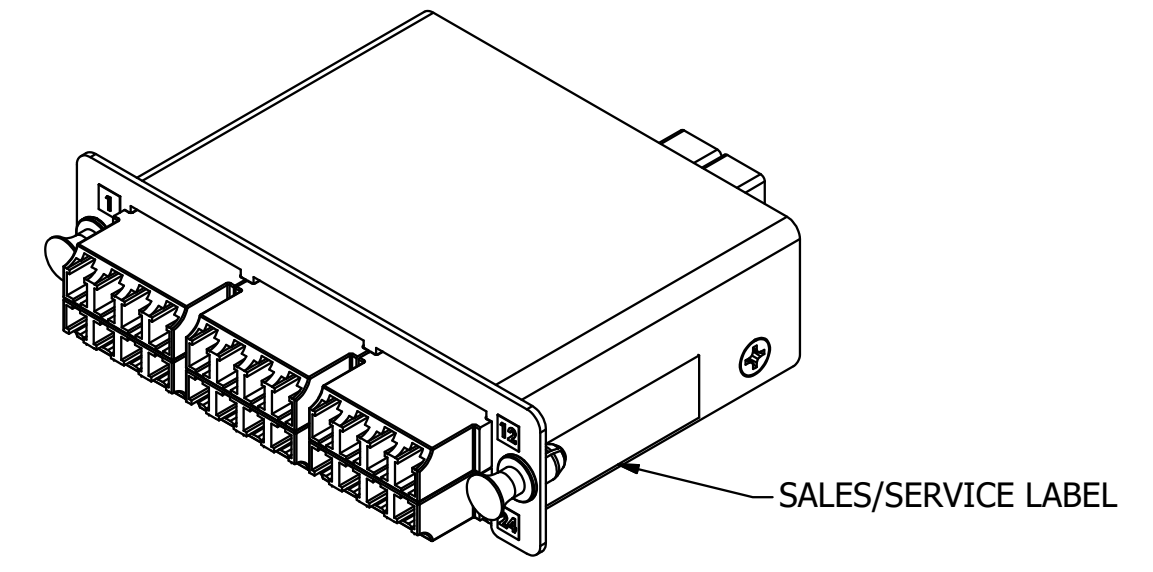
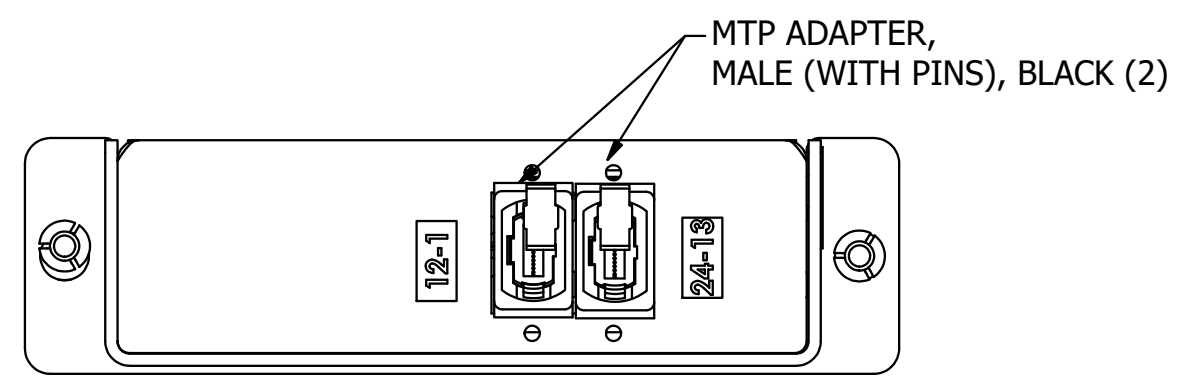
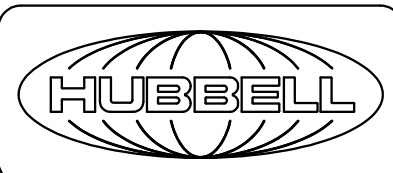


CATALOG #	DESCRIPTION	ADAPTER BODY COLOR	SPLIT SLEEVE
OCLCQG3H4	FIBER,CASSETTE,HD-H4,LC-MT,OM3,24F	AQUA	ZIRCONIA
OCLCQG4H4	FIBER,CASSETTE,HD-H4,LC-MT,OM4,24F	AQUA	ZIRCONIA
OCLCQSMH4	FIBER,CASSETTE,HD-H4,LC-MT,SM,24F	BLUE	ZIRCONIA
OCLCQG4H4VI	FIBER,CASSETTE,HD-H4,LC-MT,OM4,24F,EVI	ERIKA VIOLET	ZIRCONIA



- NOTES:
- CASSETTE: STEEL, BLACK POWDER COAT
 - INSERTION LOSS TEST REPORT INCLUDED
 - CASSETTE POLARITY: TYPE A
 - ALL FIBER IS BEND-INSENSITIVE
 - SPECIFICATIONS SUBJECT TO CHANGE WITHOUT NOTICE.

Created on INVENTOR	DIMENSIONING AND TOLERANCE PER ANSI Y14.5M-1982 UNLESS OTHERWISE SPECIFIED, DIMENSIONS ARE IN INCHES (MM). TOLERANCES.XX = ±.01 (.25) .XXX = ±.005 (.127) .XXXX = ±.0025 (.0635) ANGLE TOL ±1°	PROJECT REFERENCE: NPD 00160	 Hubbell Premise Wiring HUBBELL INCORPORATED (Delaware) 23 CLARA DRIVE, SUITE 103 MYSTIC, CT 06355	
	IN ACCEPTING OUR DRAWINGS, BLUEPRINTS, OR SUPPORTING DOCUMENTATION FOR QUOTATION OR OTHER PURPOSES, YOU AGREE NOT TO DISCLOSE TO OTHERS THE IDEAS, INFORMATION, OR DESIGNS SHOWN HEREIN, AND THAT YOU WILL MAKE NO USE OF SAME WITHOUT PERMISSION	MATERIAL:		TITLE: FIBER CASSETTE HD-H4, LC-MT, 24F
		DRAWN BY: MABBY 02/22/16	SIZE: C	DRAWING NO.: HWS14579C
		CHECKED BY:	SCALE:	SHEET OF 1
	APPROVED BY:		REV. 2	

REV.	ECN	DATE	DESCRIPTION	CHG BY	APPD BY
2	22499	07/20/17	UPDATED DIMENSIONS	MMA	DO