

6

5

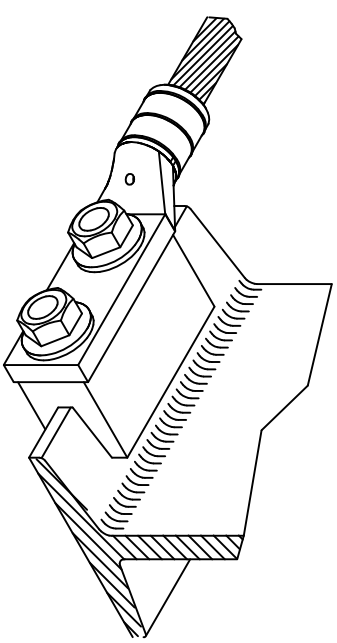
4

3

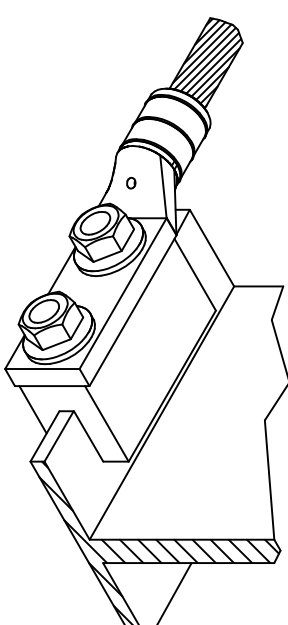
2

1

CATALOG NO.	DESCRIPTION	COPPER CONDUCTOR RANGE	I-BEAM FLANGE THICKNESS
HYGBS338	IBEAM TAP,STNDRD,0.250-0.338,SS ROD	2-4/0 AWWG	.25 to .338
HYGBS400	IBEAM TAP,STNDRD,0.338-0.400,SS ROD	2-4/0 AWWG	.338 to .400
HYGBS462	IBEAM TAP,STNDRD,0.400-0.462,SS ROD	2-4/0 AWWG	.400 to .462
HYGBS550	IBEAM TAP,STNDRD,0.462-0.550,SS ROD	2-4/0 AWWG	.462 to .500
HYGBW338	IBEAM TAP,WIDE,0.250-0.338,SS ROD	2-4/0 AWWG	.25 to .338
HYGBW400	IBEAM TAP,WIDE,0.338-0.400,SS ROD	2-4/0 AWWG	.338 to .400
HYGBW462	IBEAM TAP,WIDE,0.400-0.462,SS ROD	2-4/0 AWWG	.400 to .462
HYGBW550	IBEAM TAP,WIDE,0.462-0.550,SS ROD	2-4/0 AWWG	.462 to .500



STANDARD BEAMS



WIDE FLANGE BEAMS

- NOTES:
- KIT SHOULD CONTAIN:
 - (1) HEAVY DUTY LUG
 - (2) 1/2-13 x 1.50 SOG HD SS C-POINT
 - (2) 1/2-13 UNC2B SS HEX NUT
 - (2) 1/2" SS FLAT WASHER
 - (2) 1/2" SS SPLIT LOCK WASHER
 - SPECIFICATIONS SUBJECT TO CHANGE WITHOUT NOTICE.

REV.	ECN	DATE	DESCRIPTION	CHG BY	APPD BY
1	18115	04/24/13	INITIAL RELEASE	MMA	

Created on AUTOCAD

DIMENSIONING AND TOLERANCE PER ANSI Y14.5M-1982 UNLESS OTHERWISE SPECIFIED, DIMENSIONS ARE IN INCHES (MM). TOLERANCES: .XX = ±.01 (.25) .XXX = ±.005 (.127) .XXXX = ±.0025 (.0635) ANGLE TOL #1°		PROJECT REFERENCE: 2011-041
IN ACCEPTING OUR DRAWINGS, BLUEPRINTS, OR SUPPORTING DOCUMENTATION FOR QUOTATION OR OTHER PURPOSES, YOU AGREE NOT TO DISCLOSE TO OTHERS THE IDEAS, INFORMATION, OR DESIGNS SHOWN HEREIN, AND THAT YOU WILL MAKE NO USE OF SAME WITHOUT PERMISSION		MATERIAL: COPPER
DRAWN BY: M. ABBY 04/09/13		TITLE: Hubbell Premise Wiring HUBBELL INCORPORATED (Delaware) 23 CLARA DRIVE, SUITE 103 MWSTIC, CT 06355
CHECKED BY:		SIZE: C
APPROVED BY:		DRAWING NO.: HWS14299C
SCALE: N/A		SHEET 1 OF 1
REV. 1		