

4

3

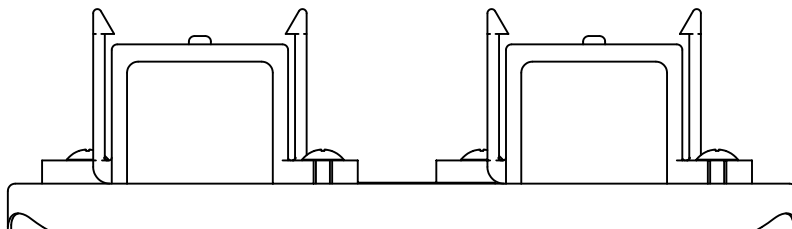
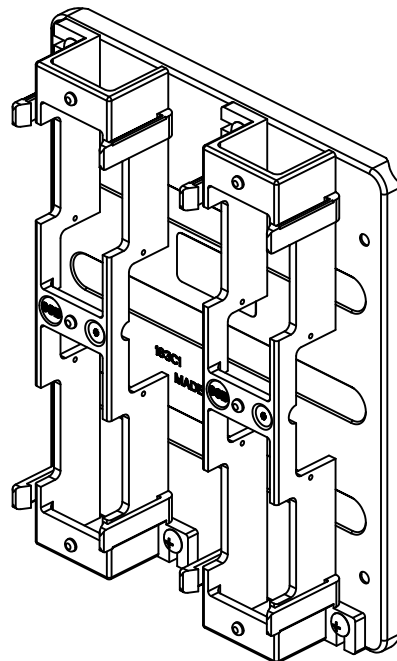
2

1

8.5 REF


10.0 REF

183C1  
MADE IN U.S.A.



A	5452	10/19/04	INITIAL RELEASE	RR	
---	------	----------	-----------------	----	--

REV.	ECN	DATE	DESCRIPTION	CHG BY	APPD BY
------	-----	------	-------------	--------	---------

Created on AUTOCAD	DIMENSIONING AND TOLERANCE PER ANSI Y14.5M-1982 UNLESS OTHERWISE SPECIFIED, DIMENSIONS ARE IN INCHES (MM). TOLERANCES .XX = ±.01 (.25) .XXX = ±.005 (.127) .XXXX = ±.0025 (.0635) ANGLE TOL ±1°		PROJECT REFERENCE:		 <b>Hubbell Premise Wiring</b> HUBBELL INCORPORATED (Delaware) 14 Lord's Hill Road, Stonington, Connecticut 06378
	IN ACCEPTING OUR DRAWINGS, BLUEPRINTS, OR SUPPORTING DOCUMENTATION FOR QUOTATION OR OTHER PURPOSES, YOU AGREE NOT TO DISCLOSE TO OTHERS THE IDEAS, INFORMATION, OR DESIGNS SHOWN HEREIN, AND THAT YOU WILL MAKE NO USE OF SAME WITHOUT PERMISSION		MATERIAL:		
	DRAWN BY: R. RUETSCH 10/19/04		TITLE: BACKBOARD,HPW66BB		SIZE: <b>A</b> DRAWING NO.: <b>C11370</b> REV.: <b>A</b>
	CHECKED BY: C. DUSSAULT 10/22/04 APPROVED BY: D. MCBAIN 10/26/04		SCALE: NTS      SHEET 1 OF 1		