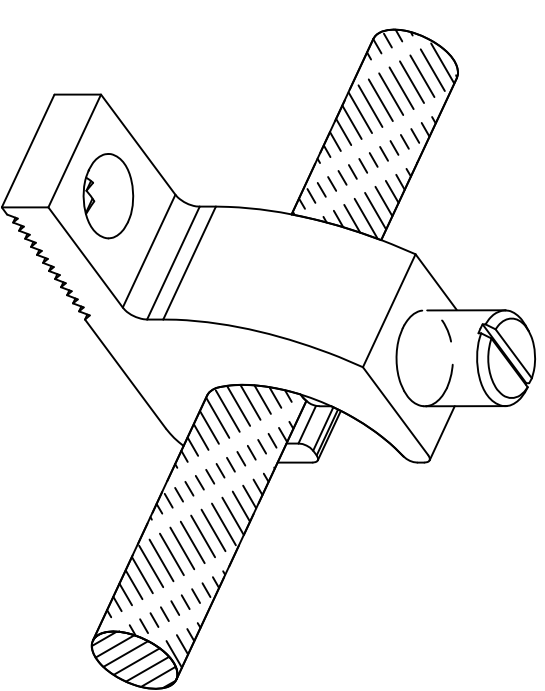
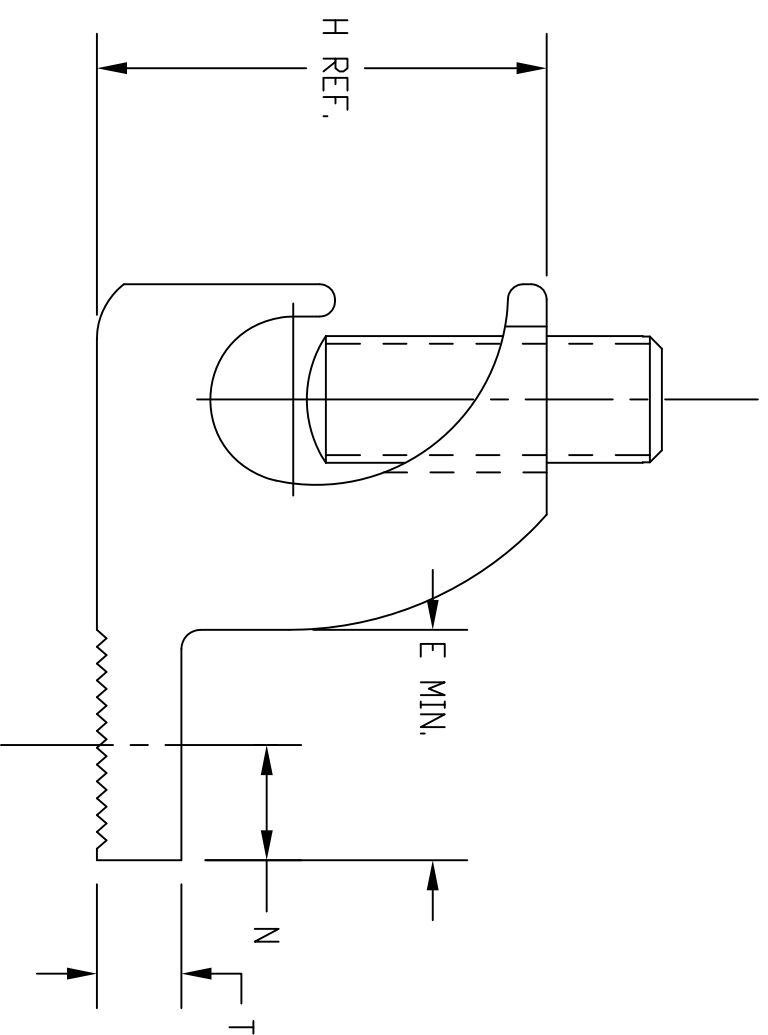
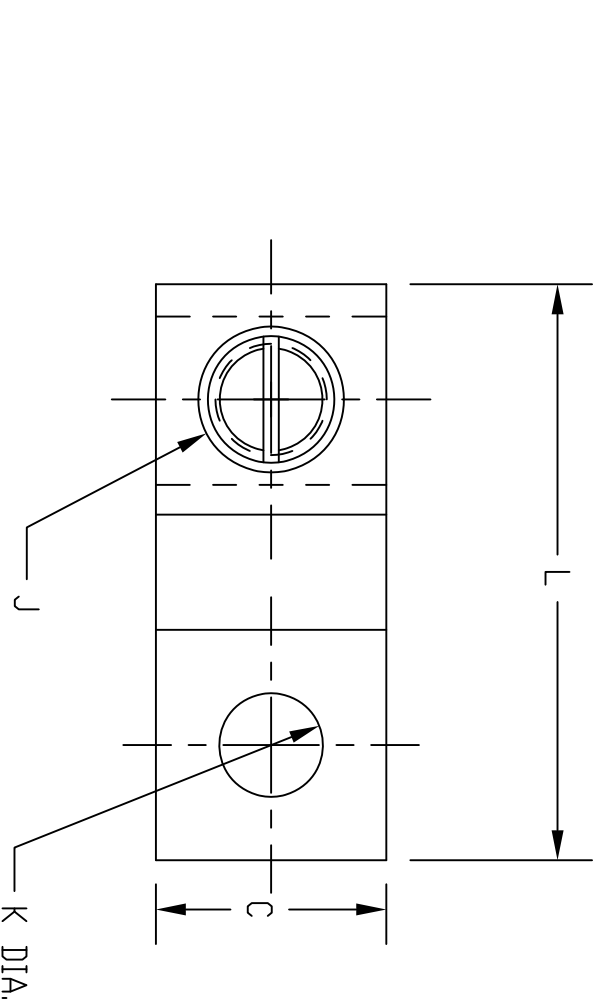


ITEM NO.	DESCRIPTION	QTY.
1	GROUND WIRE CONNECTOR	100

CATALOG NUMBER	DESCRIPTION
HGBBGL4	GROUND WIRE CONNECTOR, AL, SIDE MOUNT

CONDUCTOR RANGE	DIMENSIONS (±.02) UNLESS OTHERWISE SPECIFIED						HEX SIZE	WIRE SIZE	TORQUE in-Lbs. in-Lbs. in-Lbs
	C	E MIN.	H REF.	J	K DIA.	L			
4-14 AWG	.38 [10]	.47 [12]	.78 [20]	1/4-28	.22 [6]	1.07 [27]	.19 [5]	.15 [4]	#4 - #6 AWG #8 AWG #10 - #14 AWG



INSTALLED VIEW

- NOTES:
1. SPECIFICATIONS SUBJECT TO CHANGE WITHOUT NOTICE.
 2. SUITABLE FOR ALUMINUM OR COPPER CONDUCTORS.
 3. FOR USE WITH HGBP8A - PENETROX-A OXIDATION INHIBITOR.
 4. UL 486B LISTED FOR ALUMINUM AND COPPER CONNECTORS.
 5. CSA CERTIFIED FOR ALUMINUM AND COPPER CONNECTORS.
 6. RATED FOR 90°C.

REV.	ECN	DATE	DESCRIPTION	CHG BY	APPD BY
1	17862	3/5/12	INITIAL RELEASE	CG	

Created on AUTOCAD

<p>DIMENSIONING AND TOLERANCE PER ANSI Y14.5M-1982 UNLESS OTHERWISE SPECIFIED, DIMENSIONS ARE IN INCHES (MM). TOLERANCES .XX = ±.01 (.25) .XXX = ±.005 (.127) .XXXX = ±.0025 (.0635) ANGLE TOL ±1°</p>	<p>PROJECT REFERENCE: 2011-041</p> <p>MATERIAL: HIGH STRENGTH 6061-T6 ALUMINUM TIN PLATED</p>	<p>HUBBELL Hubbell Premise Wiring HUBBELL INCORPORATED (Delaware) 14 Lord's Hill Road, Stonington, Connecticut 06378</p>
<p>IN ACCEPTING OUR DRAWINGS, BLUEPRINTS, OR SUPPORTING DOCUMENTATION FOR QUOTATION OR OTHER PURPOSES, YOU AGREE NOT TO DISCLOSE TO OTHERS THE IDEAS, INFORMATION, OR DESIGNS SHOWN HEREIN, AND THAT YOU WILL MAKE NO USE OF SAME WITHOUT PERMISSION</p>	<p>DRAWN BY: C. GRIBBLE 3/5/12</p> <p>CHECKED BY:</p> <p>APPROVED BY:</p>	<p>SIZE C</p> <p>DRAWING NO. HW514034C</p> <p>SCALE: 1/1</p> <p>SHEET 1 OF 1</p> <p>REV. 1</p>