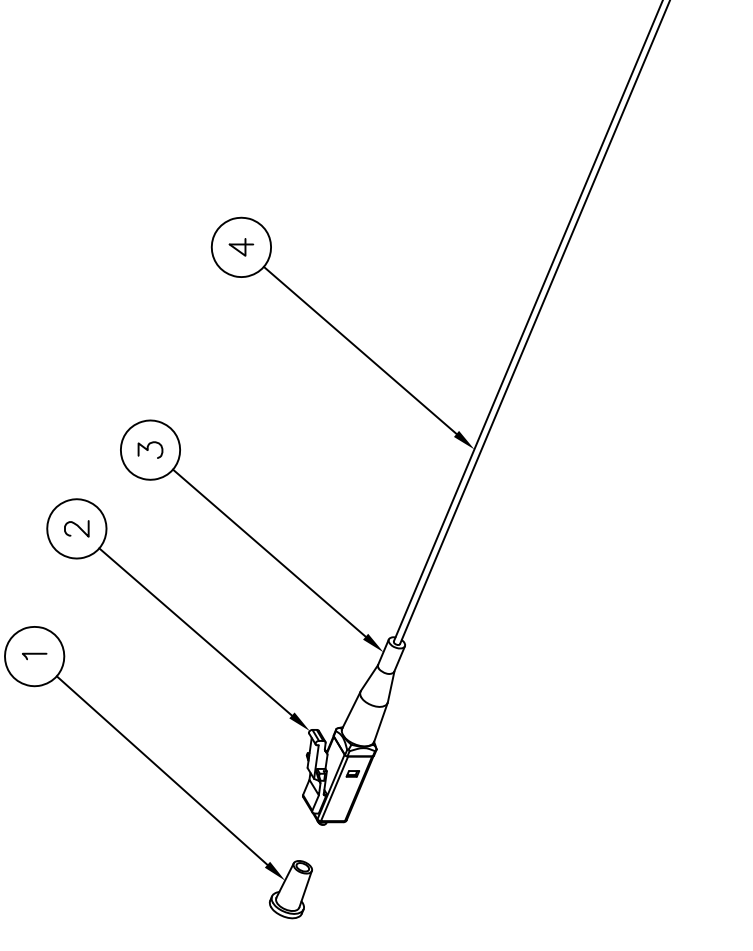
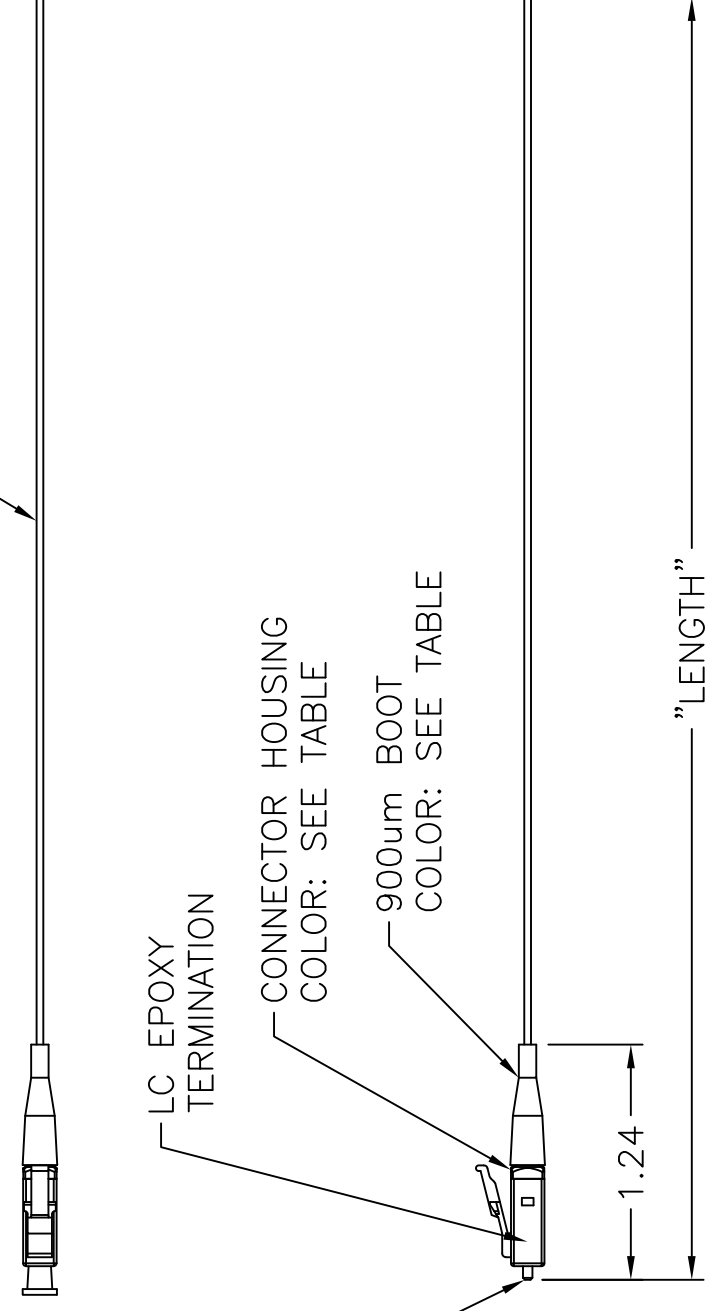


ITEM NO.	DESCRIPTION	QTY.	CATALOG NO.	DESCRIPTION	LENGTH	BUFFER COLOR	HOUSING COLOR	BOOT COLOR
1	LC CONNECTOR DUST CAP	1	FPLCC3MM	LC 62.5/125um MULTIMODE PIGTAIL	3 METER	ORANGE	BEIGE	BLACK
2	LC CONNECTOR BODY	1	FPLCD3MM	LC 50/125um MULTIMODE PIGTAIL	3 METER	WHITE	BEIGE	BLACK
3	LC CONNECTOR BOOT	1	FPLCS3SM	LC 9/125um SINGLEMODE PIGTAIL	3 METER	YELLOW	BLUE	BLUE
4	900um BUFFERED CABLE	A/R	FPLCE3MM	LC 50/125um OM3 MULTIMODE PIGTAIL	3 METER	AQUA	BEIGE	BLACK
			FPLCF3MM	LC 50/125um OM4 MULTIMODE PIGTAIL	3 METER	AQUA	BEIGE	BLACK



900um BUFFERED FIBER
 COLOR: SEE TABLE
 FIBER TYPE: SEE DESCRIPTION



FACTORY UPC POLISH

LC EPOXY TERMINATION

CONNECTOR HOUSING COLOR: SEE TABLE

900um BOOT COLOR: SEE TABLE

1.24

"LENGTH"

DUST CAP SHIPPED INSTALLED

NOTES:

- CONNECTOR OPTICAL, MECHANICAL AND ENVIRONMENTAL PERFORMANCE MEETS TIA/EIA-568-C.3 SPECIFICATIONS.
- MULTIMODE CONNECTOR USES A PC RADIUS TIP ZIRCONIA CERAMIC FERRULE.
- SINGLEMODE CONNECTOR USES A UPC RADIUS TIP ZIRCONIA CERAMIC FERRULE.
- CONNECTOR HOUSING IS INJECTION MOLDED ENGINEERING PLASTIC RESIN.
- OPTICAL INSERTION LOSS TEST DATA INCLUDED IN EACH BAGGED PIGTAIL.
- OM3: 50/125um MULTIMODE RATED FOR 10Gb/s TRANSMISSION FOR UP TO 300 METERS AT 850nm.
- OM4: 50/125um MULTIMODE RATED FOR 100Gb/s TRANSMISSION FOR UP TO 150 METERS AT 850nm.
- SPECIFICATIONS SUBJECT TO CHANGE WITHOUT PRIOR NOTICE.

<p>Hubbell Premise Wiring HUBBELL INCORPORATED (Delaware) 14 Lord's Hill Road, Stonington, Connecticut 06378</p>		TITLE: FIBER PIGTAIL ASSY, LC SM/MM	
PROJECT REFERENCE:		DRAWN BY: PAUL S. MAGUIRE 01/27/03	
MATERIAL:		CHECKED BY: JON LUTZEN 01/29/03	
DIMENSIONING AND TOLERANCE PER ANSI Y14.5M-1982 UNLESS OTHERWISE SPECIFIED, DIMENSIONS ARE IN INCHES (MM). TOLERANCES .XX = ±.01 (.25) .XXX = ±.005 (.127) .XXXX = ±.0025 (.0635) ANGLE TOL ±1°		APPROVED BY: JON LUTZEN 01/29/03	
IN ACCEPTING OUR DRAWINGS, BLUEPRINTS, OR SUPPORTING DOCUMENTATION FOR QUOTATION OR OTHER PURPOSES, YOU AGREE NOT TO DISCLOSE TO OTHERS THE IDEAS, INFORMATION, OR DESIGNS SHOWN HEREIN, AND THAT YOU WILL MAKE NO USE OF SAME WITHOUT PERMISSION		SCALE: N/A SHEET 1 OF 1	
REV. E	ECN 17942	DATE 06/06/12	DESCRIPTION ADDED ONE NEW CAT. NUMBER
			CHG BY MMA
			APPD BY