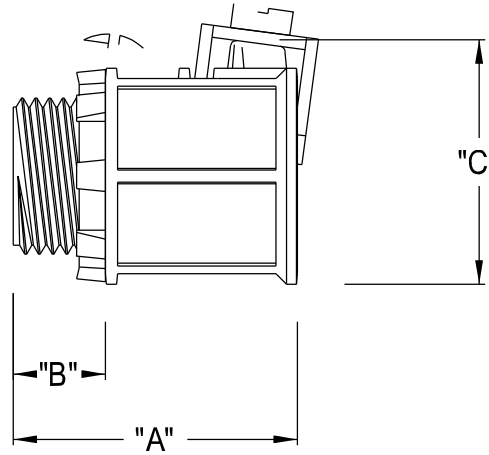
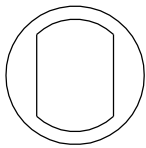


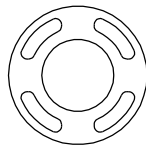
SG38,SG380



SG40,SG50,SG75



SG380
VIEW A-A



VIEW A-A

SG75	3/4	1.435	.450	1.470
SG50	1/2	1.480	.480	1.277
SG40	1/2	1.480	.480	1.125
SG380	3/8	1.000	.400	1.077
SG38	3/8	1.000	.400	1.077
PART NO.	TRADE SIZE	"A"	"B"	"C"