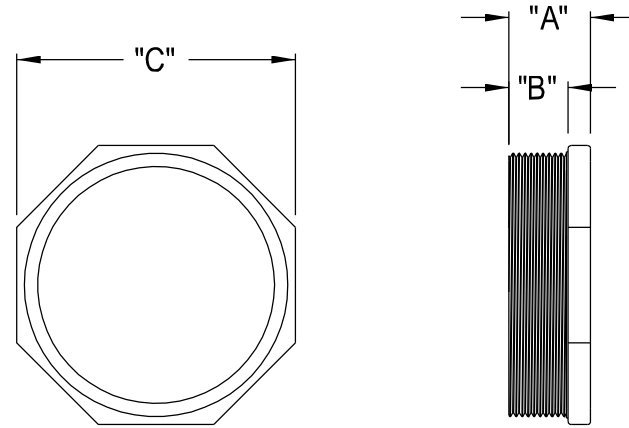


501 - 510

510	4	1.358	.995	5.420	4.810
509	3 1/2	1.378	1.008	4.932	4.370
508	3	1.378	1.008	4.390	3.906
507	2 1/2	1.125	.836	3.555	3.188
506	2	.845	.638	2.945	2.605
505	1 1/2	.835	.630	2.380	2.110
504	1 1/4	.828	.615	2.093	1.875
503	1	.654	.518	1.616	1.406
502	3/4	.565	.428	1.310	1.148
501	1/2	.593	.465	1.050	.930
PART No.	TRADE SIZE	"A"	"B"	"C"	"D"



511 & 512

512	6	2.028	1.500	7.000
511	5	1.700	1.215	5.812
PART No.	TRADE SIZE	"A"	"B"	"C"