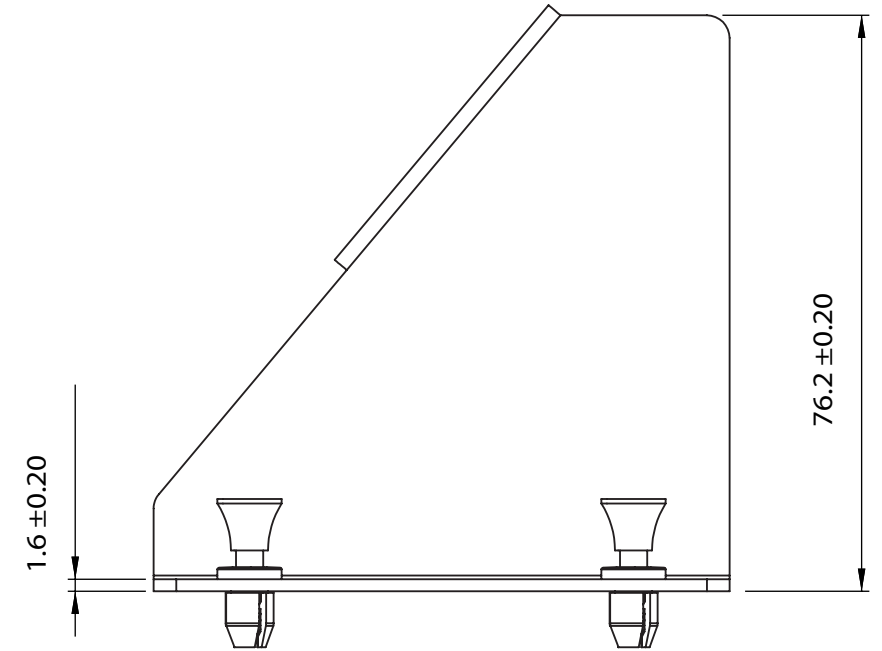
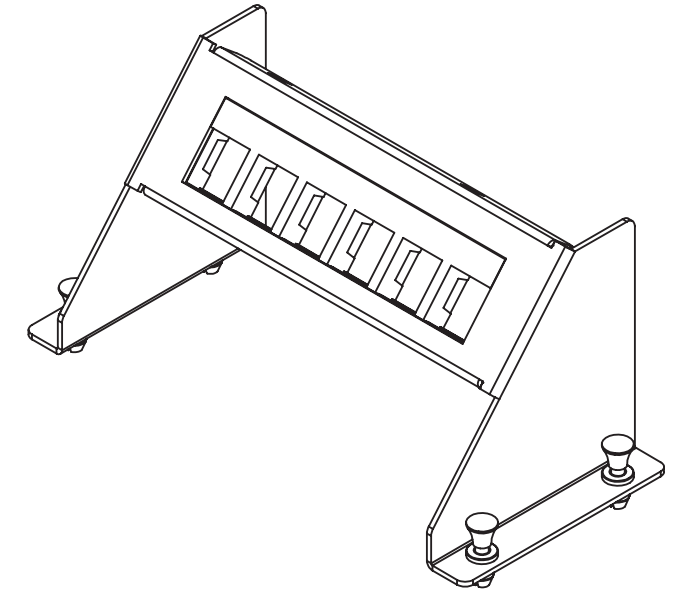
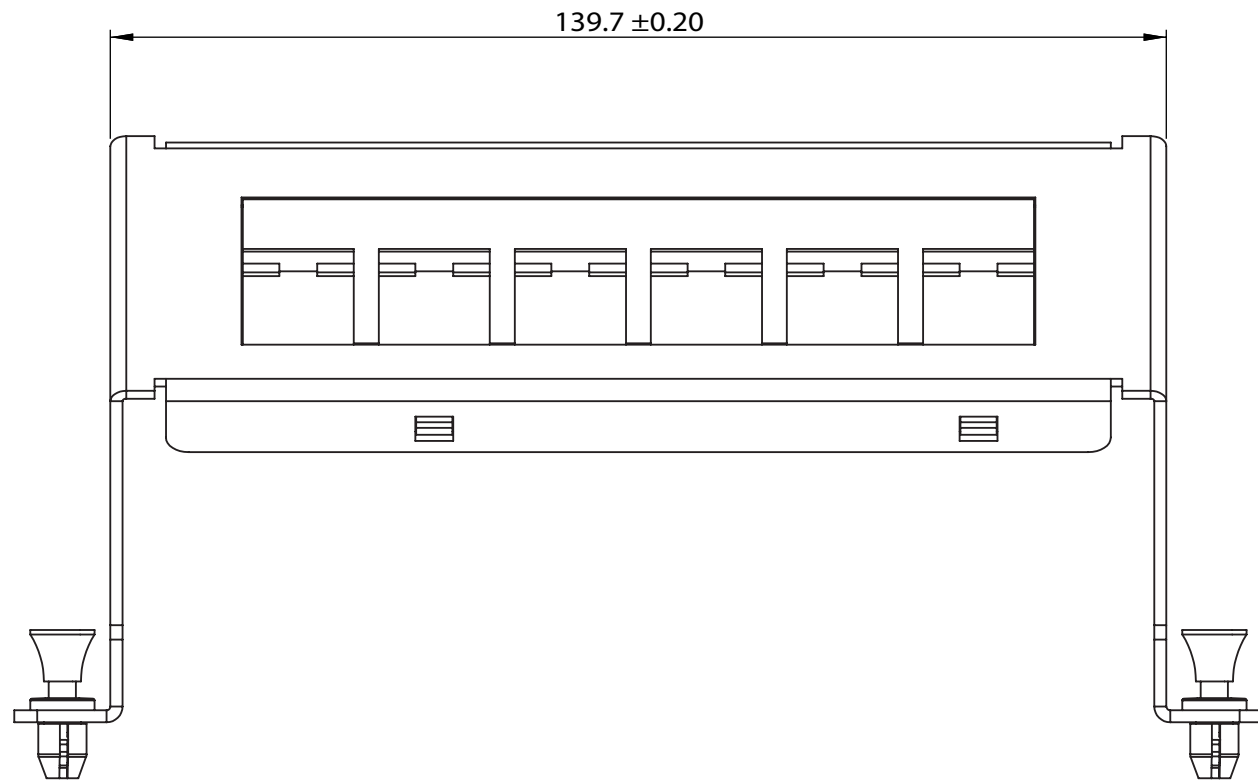
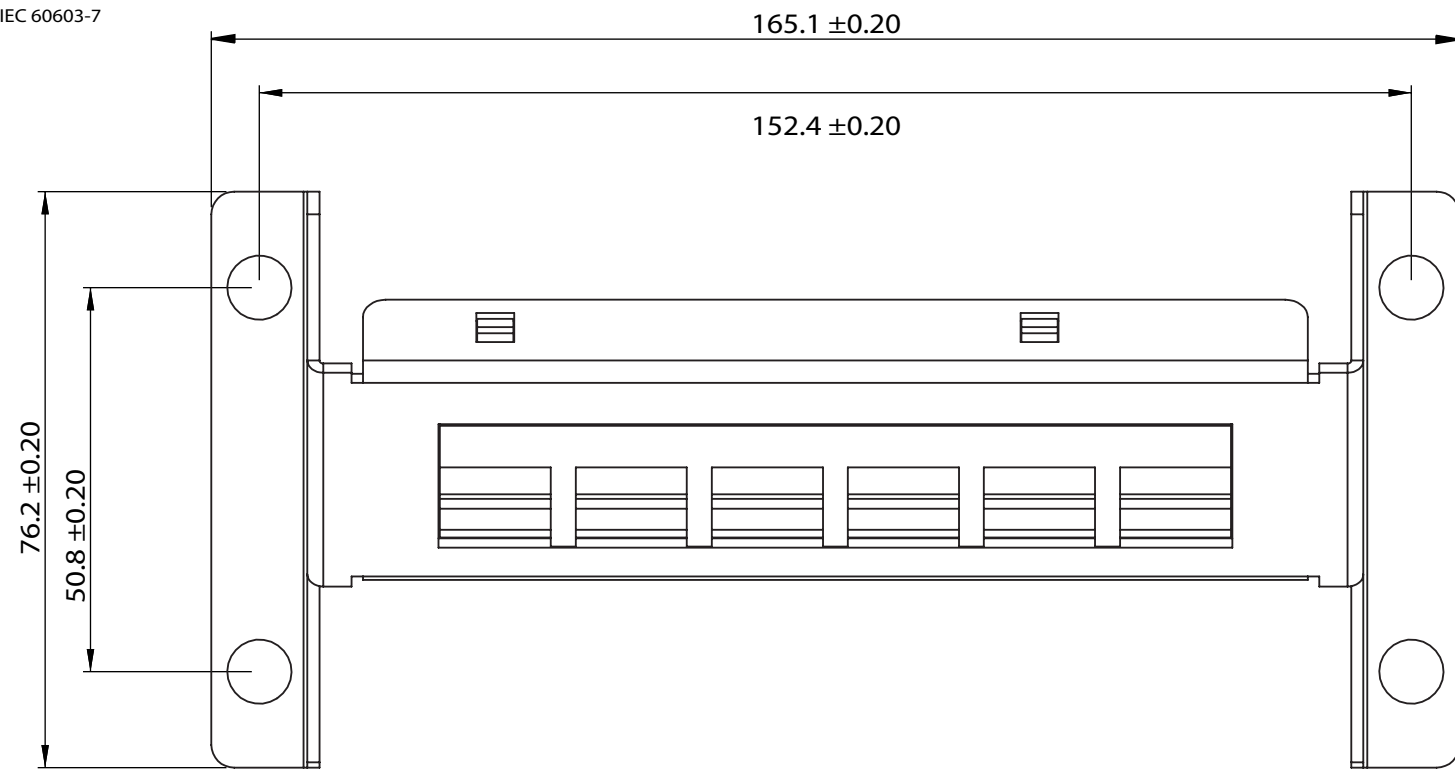


ACCORDING TO: ANSI/TIA-568.2-D
ISO/IEC 11801-1
IEC 60603-7



MATERIAL

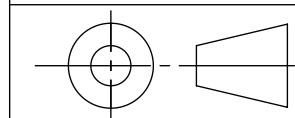
PANEL : SPCC.
PLASTIC FRAME : ABS, UL94V-0.

PHYSICAL CHARACTERISTICS

OPERATING TEMPERATURE RANGE : -10 °C TO 60 °C.
STORAGE TEMPERATURE RANGE : -40 °C. TO 68 °C.
HUMIDITY : 10% TO 90% RH (NON-CONDENSING).

PROPRIETARY AND CONFIDENTIAL

THE INFORMATION CONTAINED IN THIS DRAWING IS THE SOLE PROPERTY OF STRONG MOUNTS AND LIFTS. ANY REPRODUCTION IN PART OR AS A WHOLE WITHOUT THE WRITTEN PERMISSION OF SNAP AV IS PROHIBITED.



CUSTOMER PRINT
WIREFATH
STRUCTURED WIRING

SIZE	DRAWING NUMBER	DWG REV
B	WP-MOD-BLANK-PANEL	B
DO NOT SCALE DRAWING		SHEET 1 OF 1