

EA-MR-COMM-RVC-25

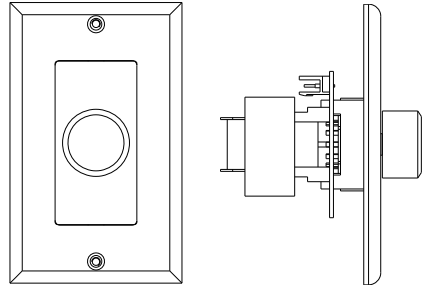
EA-MR-COMM-RVC-50

EA-MR-COMM-RVC-100

WELCOME TO EPISODE[®]

Thank you for purchasing a great product from Episode[®]. We appreciate your purchase and are committed to providing the highest quality products possible.

The EA-MR-COMM-RVC volume control line is a superb choice for 70V/100V music systems. These products fit into the majority of single-gang boxes and rings, and the 25 and 50 watt models can be ganged together for multiple controls in one multi-gang box.



PACKAGE CONTENTS

- (1) EA-MR-COMM-RVC Volume Control
 - (2) Silver 6-32 Mounting Screws
 - (1) White, (1) Ivory, and (1) Almond Accessory Kit
- Each accessory kit includes (1) Decora Plate, (1) Decora insert, (1) knob, & (2) painted plate screws to match.*

INSTALLATION GUIDELINES

- Check your local building and fire rating codes for low-voltage device installation and wiring requirements before you begin your installation.
- Even if allowed by local building codes, Episode[®] does not recommend installing volume controls in the same box as high voltage wiring or controls, such as dimmers or switches.
- Maintain at least 1 stud bay of separation between any speaker wiring or volume controls and high voltage cables or controls to avoid interference.
- Always test fit volume controls to the boxes planned for use before installing the boxes.

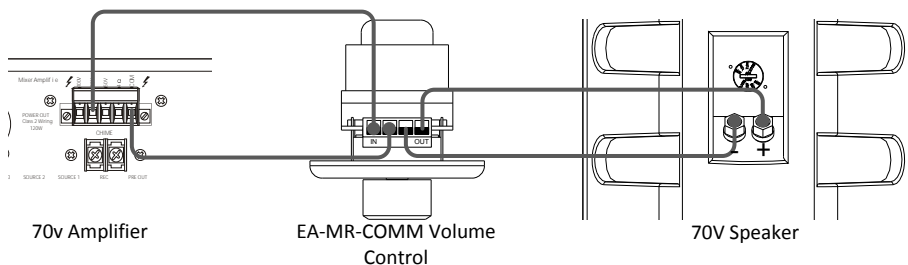
Note: *The EA-MR-COMM-RVC-100 will ONLY fit into a single gang box or ring. The transformer on this model is larger than on the 25 and 50 watt models, and will not allow any device to mount beside it in a multi-gang box.*

VOLUME CONTROL ADJUSTMENT RANGE

All versions of the EA-MR-COMM-RVC adjust volume from minimum to maximum by turning the knob clockwise through a range of 11 positions, from off to full volume with no cut. See the Specifications tab for definition of the range of steps.

INSTALLATION

The wire connector on the volume control is detachable for easier termination of speaker wire. To install the control, follow the diagram and instructions below.



1. Remove power from the amplifier and any attached equipment.
2. Strip back 1/4" of insulation from each wire that is to be connected to the volume control. Twist the exposed conductors tightly so that there are no stray strands.
3. Insert the wires going to each speaker to the connector labeled OUT. Make sure to maintain the proper polarity. Then, using a small Phillips or flat screwdriver, tighten the two OUT screws in the connector block to secure the wires.
4. Insert the wires coming from the amplifier to the connector labeled IN. Make sure to maintain the proper polarity. Then, using a small Phillips or flat screwdriver, tighten the two IN screws in the connector block to secure the wires.
5. Visually inspect each of your connections to ensure that no stray strands cause a short, and that there is not an excessive amount of exposed wire outside of the connector. Ensure that the connector is tightened down on bare wire and not insulation. Install the connectors back on to the volume control circuit board. Make sure the connectors are in the correct place on the volume control.

Important! Reversing the amplifier and speaker connections will likely cause damage to the amplifier, volume control and the speakers, and is not covered under warranty.

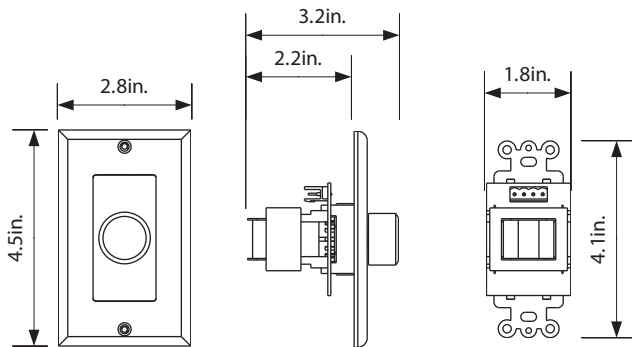
6. Install the volume control in the box or ring using the two longer screws provided. Be careful not to force the volume control into the ring or box, as this will cause the connectors to become loose, or may result in wires being forced out of the connectors.
7. Place the Decora plate over the volume control. Insert and tighten the short color-matched screws until the cover is tight and flush with the wall.
8. Reconnect the amplifier and power and test the system.

SPECIFICATIONS

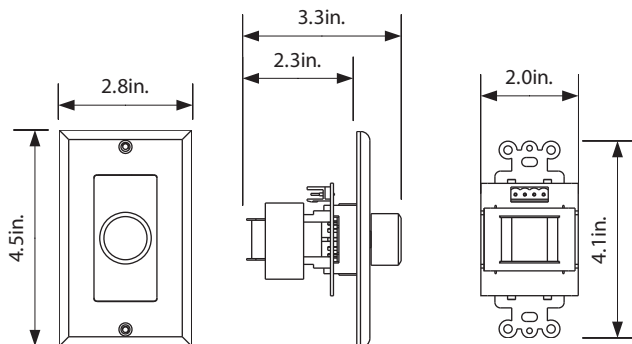
| | EA-MR-COMM-RVC-25 | EA-MR-COMM-RVC-50 | EA-MR-COMM-RVC-100 |
|----------------------------------|---|-------------------|--------------------|
| Power Rating | 25 Watts RMS | 50 Watts RMS | 100 Watts RMS |
| Maximum Speaker Load (@70 Volts) | 25 Watts | 50 Watts | 100 Watts |
| Frequency Response | 20 - 20kHz, +/- 0.5 dB with typical 70 volt load | | |
| Total Harmonic Distortion | <1% | | |
| Wire Connector | Removable Screw Clamp, up to 12-gauge wire | | |
| Rotary Switch | 11-position rotary volume control attenuation with make-before break contacts | | |
| Attenuation Levels | OFF, 2 steps @ 6 dB, 7 steps @ 3dB, ON | | |
| Mounting | Fits most standard electrical junction boxes | | |

DIMENSIONS

EA-MR-COMM-RVC-25 / EA-MR-COMM-RVC-50



EA-MR-COMM-RVC-100



WARRANTY



Limited Lifetime Warranty

This Episode™ Product has a Lifetime Limited Warranty. This warranty includes parts and labor repairs on all components found to be defective in material or workmanship under normal conditions of use. This warranty shall not apply to products which have been abused, modified or disassembled. Products to be repaired under this warranty must be returned to SnapAV or a designated service center with prior notification and an assigned return authorization number (RA).

CONTACTING TECHNICAL SUPPORT

Phone: (866) 838-5052

Email: Techsupport@snapav.com

episode®
commercial