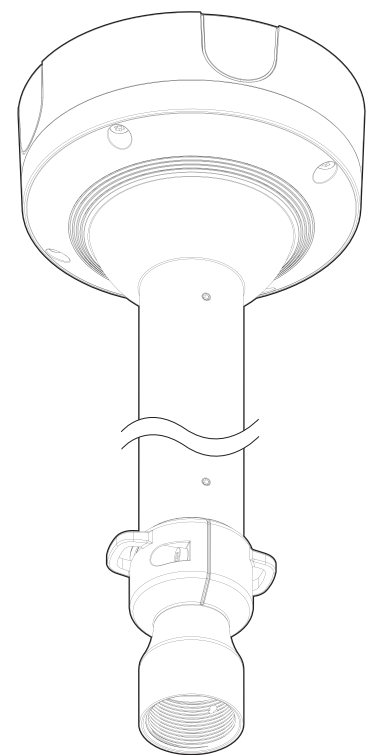


Ceiling Mount

SBP-300CMTS



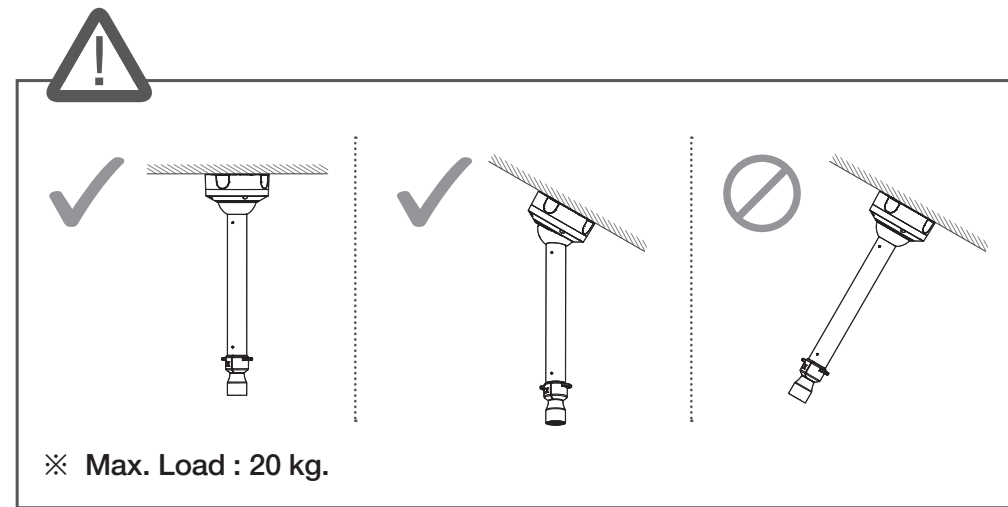
Package



Screws(4EA)

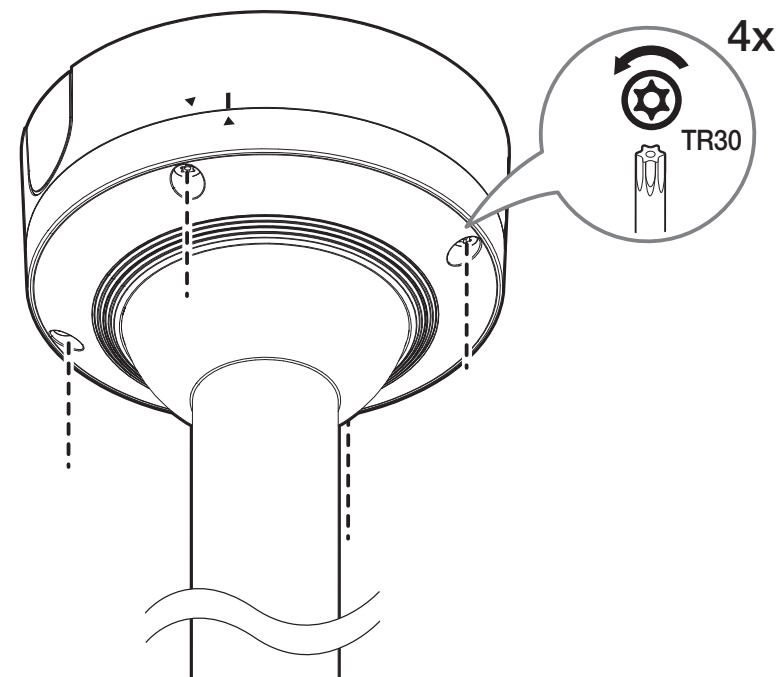
Installation Precautions

- Make sure that the installation place can endure at least 4 times of the total weight of the Ceiling Mount, Hanging Adaptor and Camera.
- Each anchor bolt to use must be capable of withstanding an extraction force of 700 kg.
- When installing the product outdoors, use interlocking devices made of stainless steel.

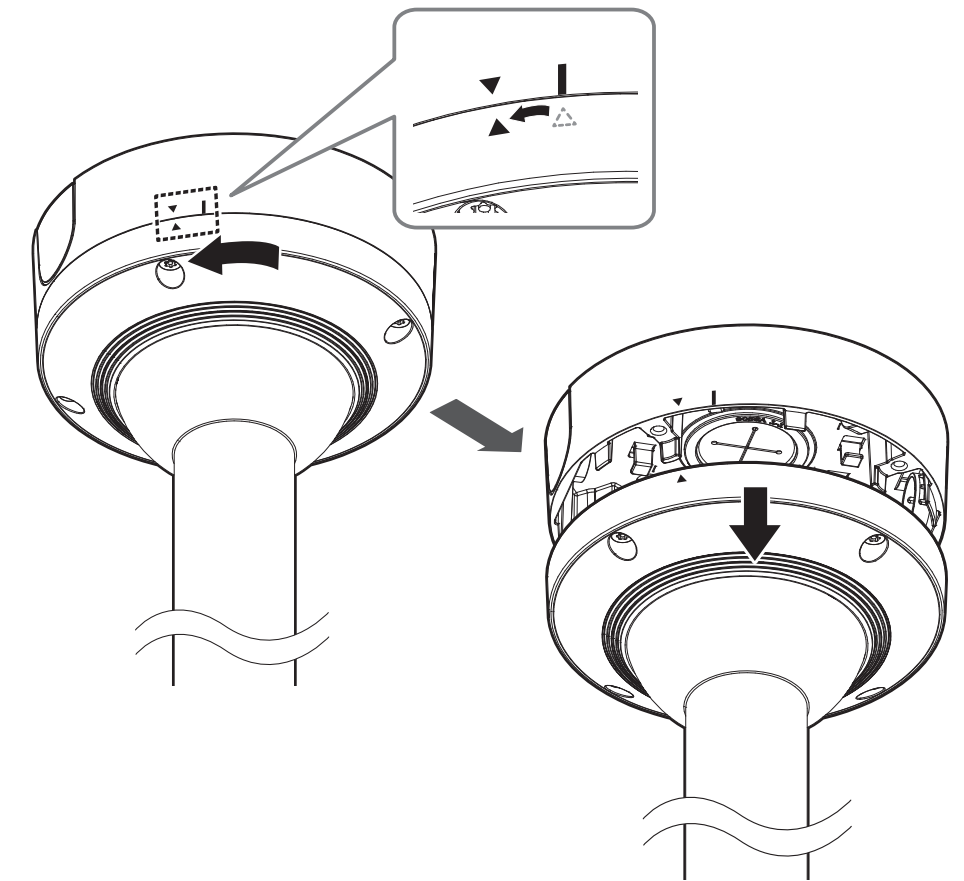


Installation

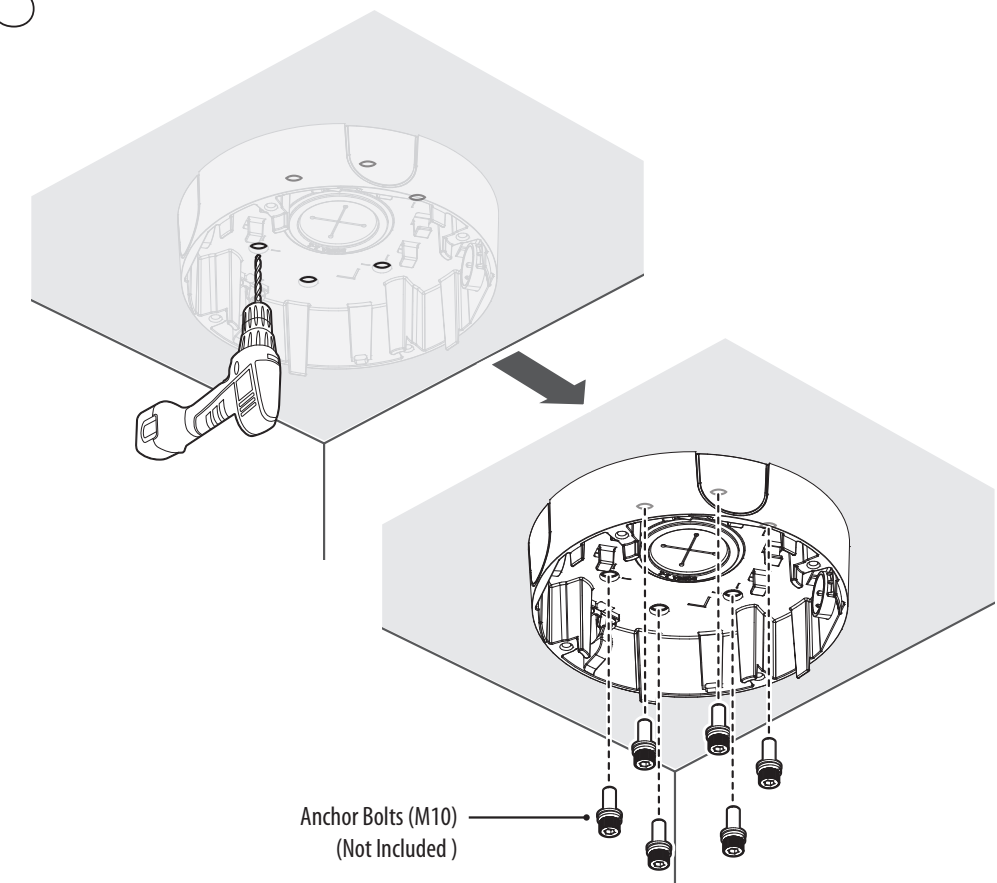
1



2

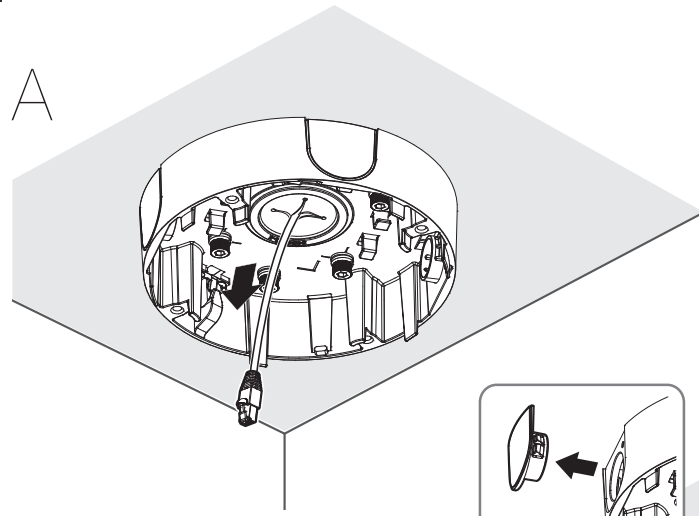


3

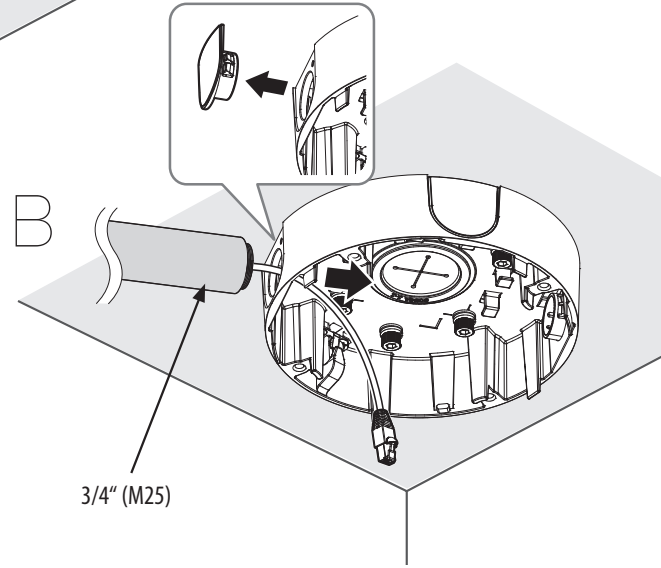


4

A

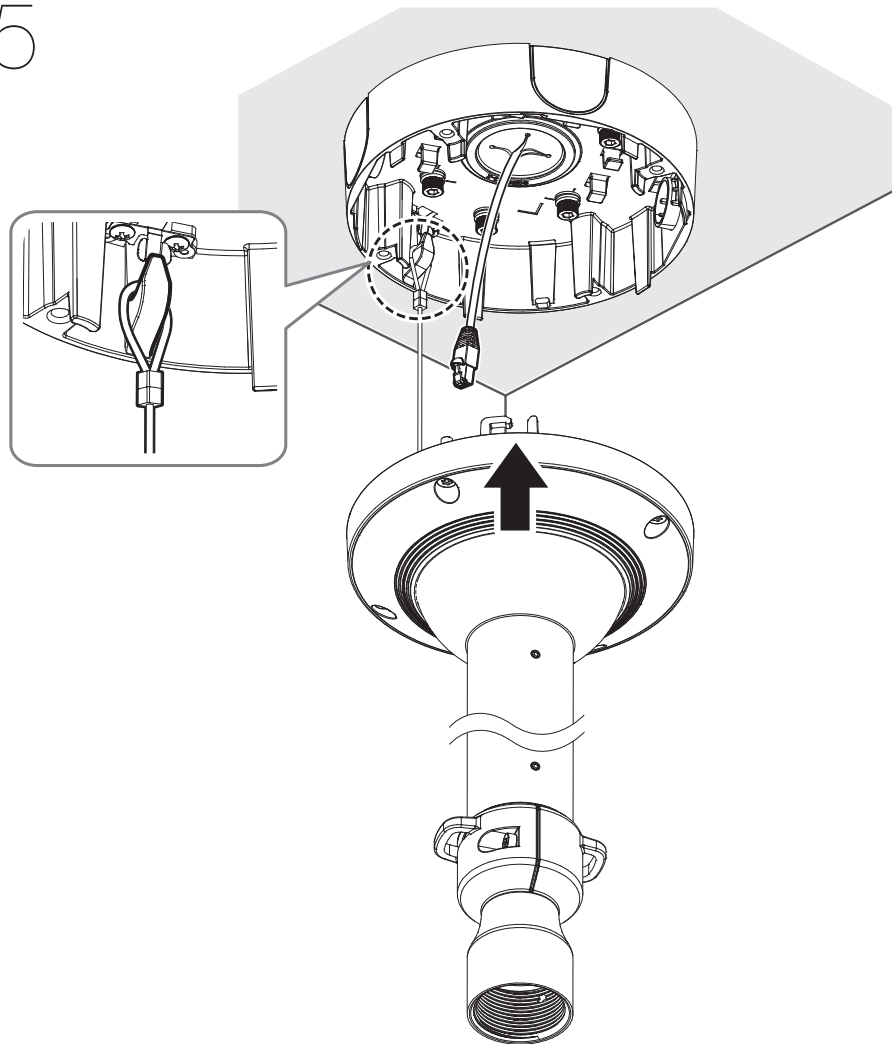


B

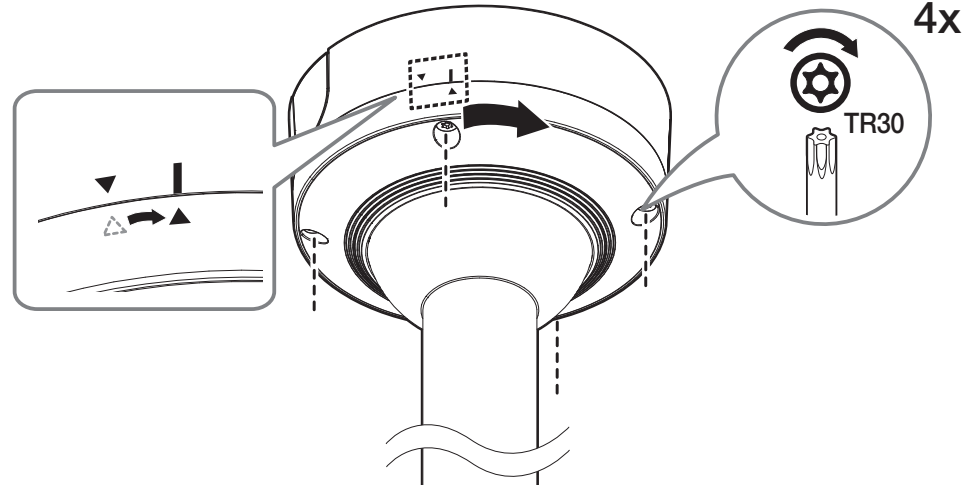


3/4" (M25)

5

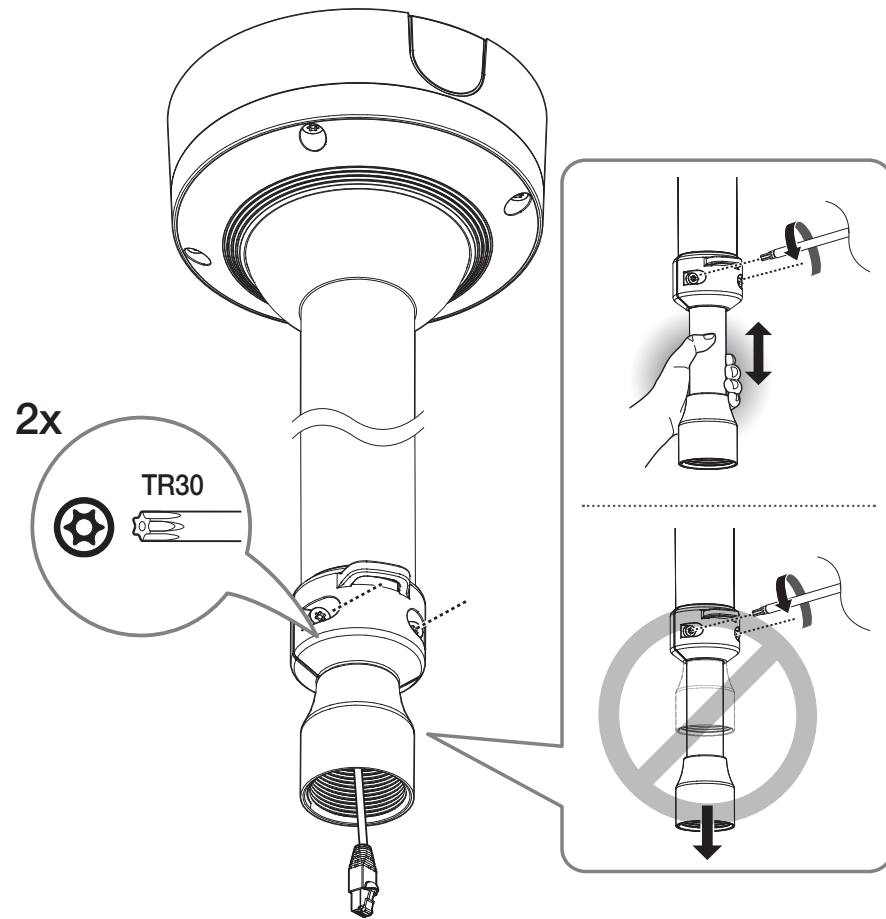


6



4x

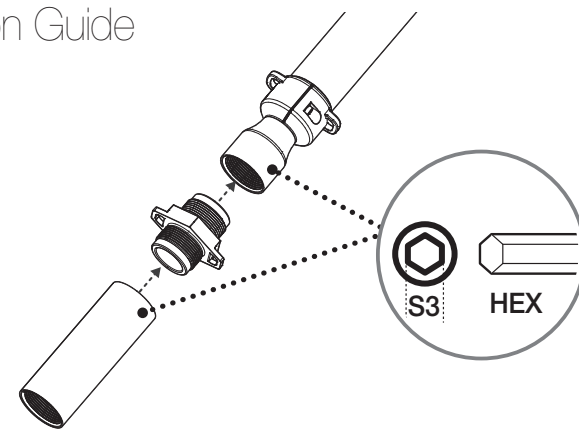
7



2x

TR30

Pipe Extension Guide

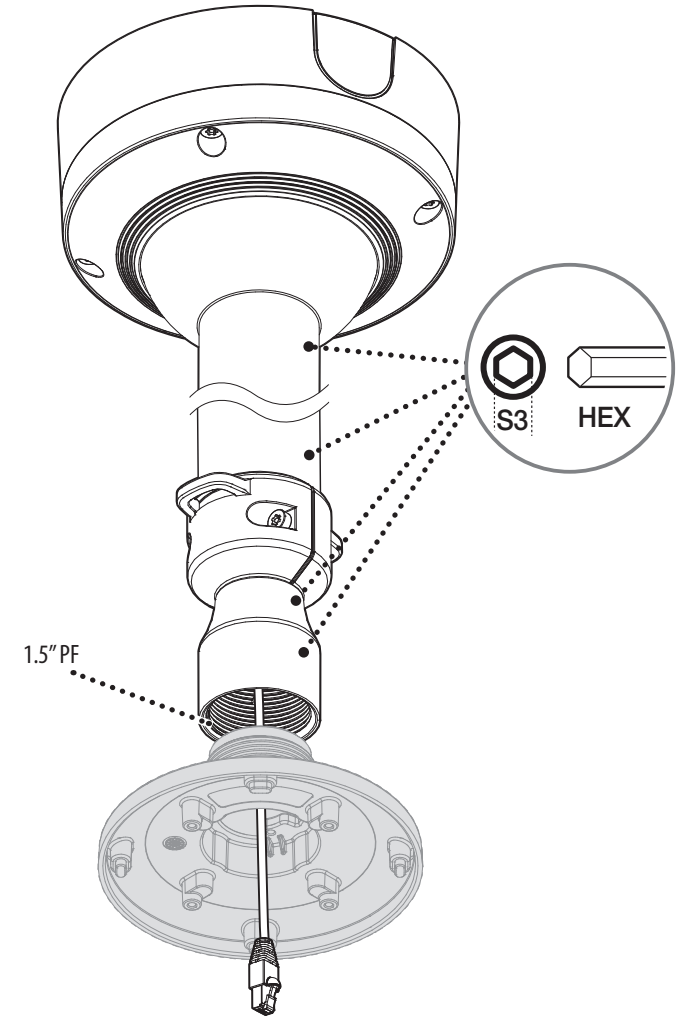


S3

HEX

- ※ Pipe coupler and Extension pipe are optional
- ※ When using a pipe coupler, attach a wire to it.

8



1.5" PF

