

Peerless PN-SR898

SMARTMOUNT®

Flat Panel Cart

FOR 55" TO 110"+ DISPLAYS



Mounting Pattern

200 x 200 up to
900 x 600mm



Max Load

300lb
(136.1kg)

- Improved leg design offers better movement around the display, such as when using a touch display or presenting to an audience
- Tube design and spacing allows for an easier way of transporting the display thanks to flexible handling locations
- Includes a preinstalled, 20ft, 3-outlet power cord for the display, media players, or mini PCs
- 32" x 11" fixed shelf provides a convenient place to set laptops, notebooks, pens, etc.
- Optional ACC-UCM accessory can be added to the rear of the cart for mounting of additional AV devices
- Complies with all criteria including load, tip and caster testing under UL1678 standards

The PN-SR898 SmartMount® Flat Panel Cart provides all of the necessary features to support your mobile display deployment, whether that's in a boardroom or a classroom. The minimalistic, tubular design provides a clean aesthetic by hiding all cabling through the internal structure. The cart also includes a 20ft, 3-outlet power cord that is neatly stored in the rear hinging compartment. This protects the cord from damage, but also makes moving your display from room-to-room a breeze. The rear ABS molded cover helps hide any cabling, media players, or mini PCs, which means behind the display will not look cluttered if the cart is placed where the back is visible.



3-outlet extension cord is preinstalled through the cart tubing

REMOVABLE REAR COVER

Sits behind the rear of the display and provides a clean, concealed area for managing cabling and components (Shelf is made of ABS plastic; materials do not degrade WiFi signals)

HEIGHT ADJUSTMENT

Allows displays to be positioned 49.9" to 65.9" from the floor



The plug end and additional slack exits the cart tubing and is managed at the rear of the cart

HIDDEN CABLE MANAGEMENT

Hinged rear cover provides hidden storage for the power cable when moving or storing the cart

SAFE AND EASY MANEUVERABILITY

4" (102mm) dual-wheeled casters meet UL specifications and allow the cart to easily move across tile, carpet, and thresholds



Complies with ADA Standards for Accessible Design, Section 308



The frame design of the cart is optimized for storing multiple carts in a reduced footprint



The leg design allows the cart to easily pass through doorways as small as 30" (762mm) wide



RoHS



TAA COMPLIANT

PN-SR898 SmartMount® Flat Panel Cart for 55" to 110"+ Displays

Product Specifications

| | DIMENSIONS (W x H x D) | PRODUCT WEIGHT | LOAD CAPACITY | FINISH | AVAILABLE COLORS |
|----------|--|----------------|-----------------|----------------------|------------------|
| PN-SR898 | 36.44" x 77.54" x 29.39" (926 x 1970 x 747mm) | 89lb (40.4kg) | 300lb (136.1kg) | Textured Powder Coat | Black |

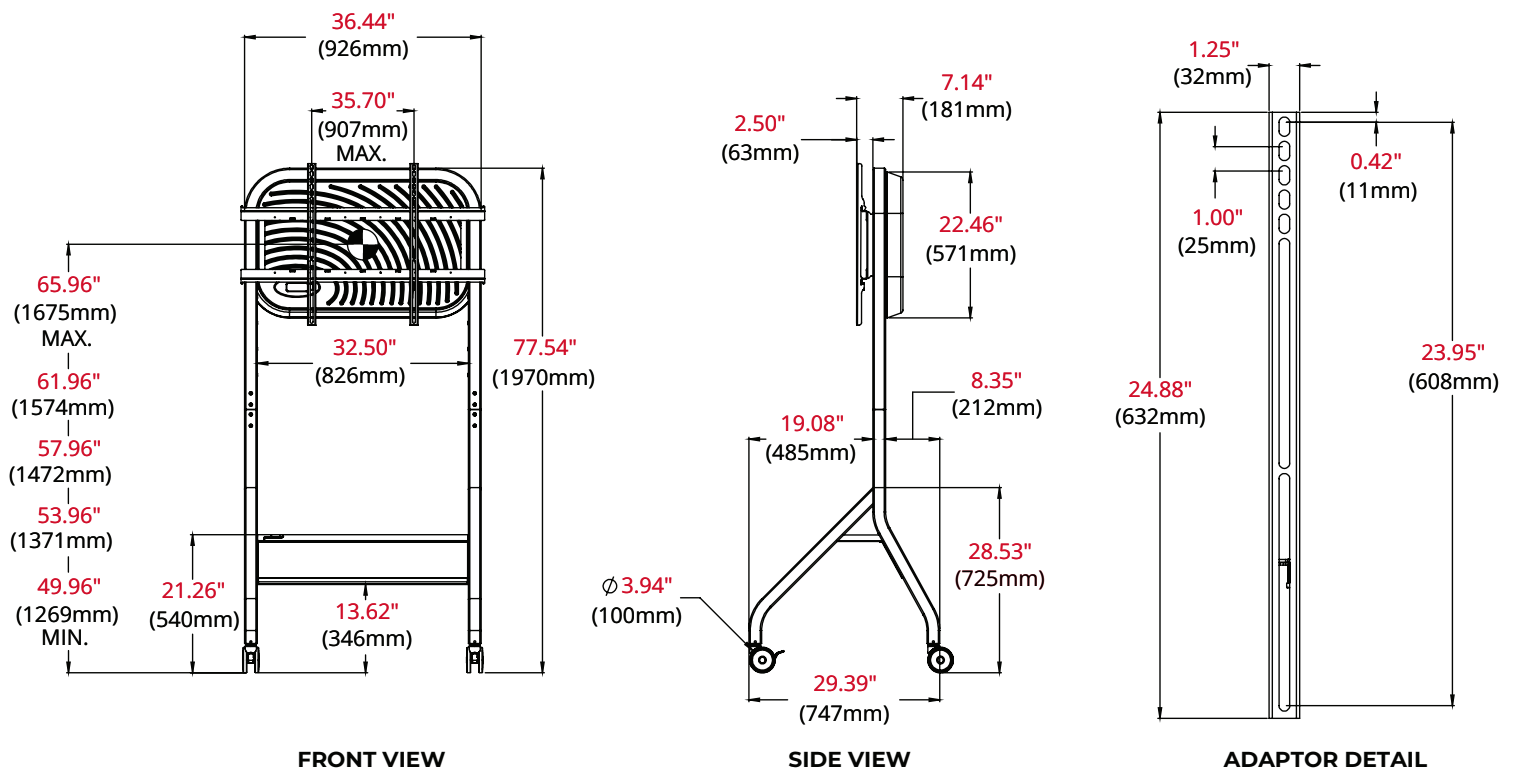
Package Specifications

| | PACKAGE SIZE (W x H x D) | PACKAGE SHIP WEIGHT | PACKAGE UPC CODE | PACKAGE CONTENTS | UNITS IN PACKAGE |
|----------|--|---------------------|------------------|---|------------------|
| PN-SR898 | 41.34" x 6.30" x 46.86" (1050 x 160 x 1190mm) | 109lb (49.4kg) | 735029350972 | Right and Left Frames, Upright Tube, Steel Shelf, Universal Display Adaptor, (2) Swivel Casters, (2) Locking Swivel Casters, (3) Outlet Extension Cord, ABS Rear Cover, Hardware & Instructions | 1 |

Accessories

- | | |
|--|---|
| ACC148: 6-Outlet Surge Protector, 15ft Cord with Mounting Bracket | ACC-SB2: Large Universal Soundbar / VC Mount |
| ACC149: (2) 600mm tall Adaptor Brackets | ACC-UCM: Universal AV Component Mount |
| ACC152: Replacement Caster Kit (2 locking, 2 non-locking) 300lb | ACC-V1500X: 1200 and 1500mm VESA® Adaptor |
| ACC310: Leveling Feet Accessory | |

All dimensions = inch (mm)



Architect Specifications

The SmartMount® Flat Panel Cart shall be a Peerless-AV model SR898 and shall be located where indicated on the plans. Assembly and installation shall be done according to instructions provided by the manufacturer.

