

No common wire? No problem.

Make your customer's home an ecobee home with our Power Extender Kit - an efficient and affordable solution for homes that don't have a common wire (C-wire).

Learn more at ecobee.com/contractors



Capable and compatible.

It's compatible with most 24 VAC systems* and seamlessly integrates with our range Smart Thermostats.

*Millivolt, high-voltage systems, dual transformer and fan coil or communicating units are incompatible.



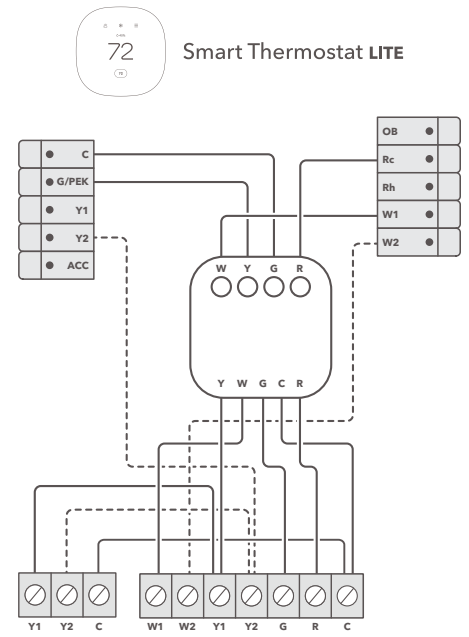
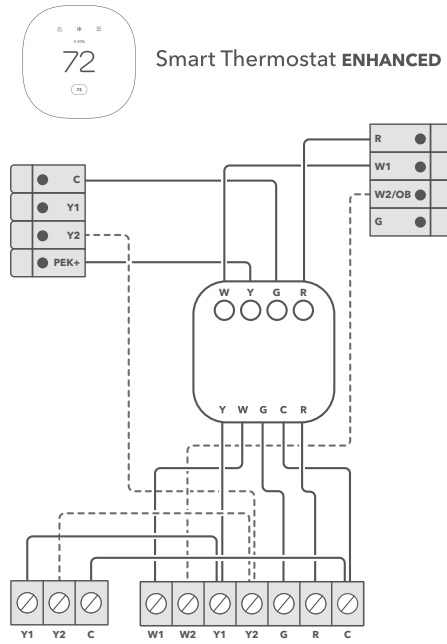
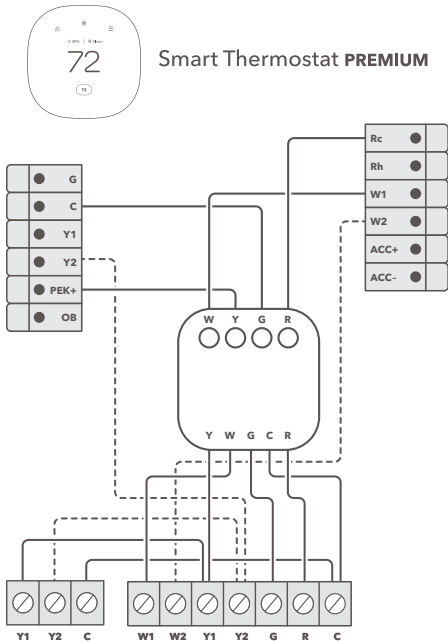
Save time with a simplified setup.

Streamline installation with the Power Extender Kit. It saves you time by avoiding running new wires, and its labelled adapter wires and simple steps ensure quick setup.

Support Hours

Available 8am-11pm (Mon-Fri) and 9am-9pm (Sat-Sun) | 1.866.518.6740 | support@ecobee.com | ecobee.com/contractors

PEK-to-thermostat wiring.



Power Extender Kit sold separately.

Works exclusively with

- ecobee3
- ecobee3 lite
- ecobee4
- ecobee SmartThermostat Pro with voice control
- ecobee Smart Thermostat Enhanced
- ecobee Smart Thermostat Premium
- ecobee Smart Thermostat Lite

Product dimensions

- Length: 62 mm (2.44in)
- Width: 62 mm (2.44in)
- Depth: 23 mm (0.90in)