



This instruction sheet is applicable to the following Catalog Numbers:

4-Port	HSB4xx	xx designates color
6-Port	HSB6xx	

Package Contents:

Qty	Description
1	Surface Mount Box
2	Cable Ties, 4"
1	Paper Face Plate Label
1	Clear Plastic Label Cover
2	Surface Mount Screws (6-20 x 1-1/4 self tapping)
2	NEMA Box Mounting Screws (6-32 x 3/4 Pan Head)
1	Security Screw (6-32 x 3/4 Flat Head)
2	Double Sided Tape, 4.5"
4	Modular Furniture Locks

Installation Instructions:

1. Remove cover from box by inserting a screwdriver into the cover release slots. See Figure 1.

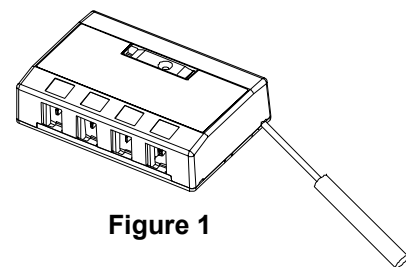


Figure 1

2. 4 Port and 6 Port Surface Boxes are compatible with MT6, MT7 and MT8 Raceway. If using Raceway, cut the edges of the appropriate knockout with a utility knife and remove. Align Raceway with knockout opening. See Figure 2.

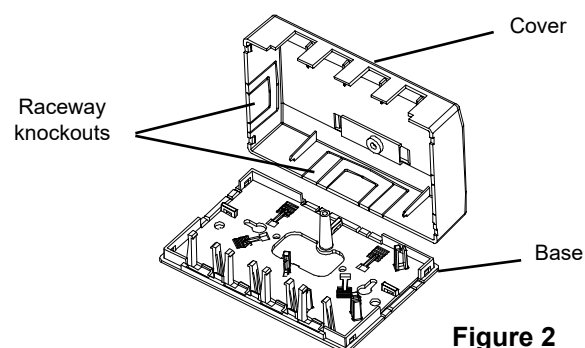


Figure 2

3. Mount box to solid surface with provided self tapping screws. For NEMA electrical box installation, align base mounting holes with holes in electrical box and secure with supplied mounting screws. See Figure **Important: Maintain flatness when mounting base to mounting surface, NEMA box, etc.**

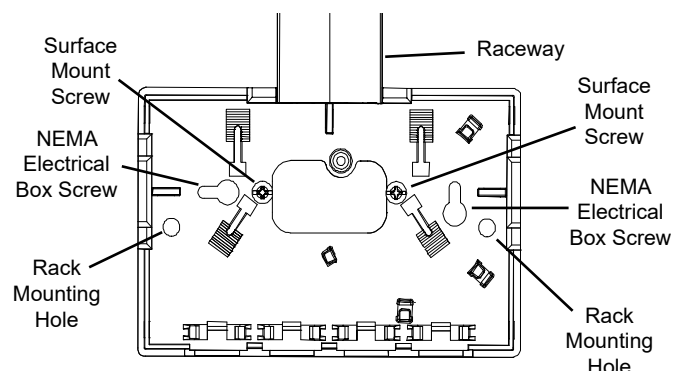


Figure 3

Note: See Figure 10 for Modular furniture mounting.

4. Route cables through openings in the rear of surface mount box. Using supplied cable ties, secure cables to the strain relief anchor points. See Figure 4.

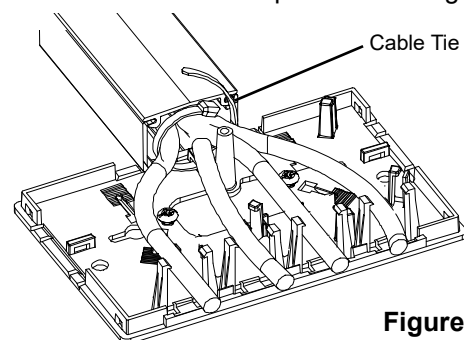


Figure 4

5. For optical fiber cable installation, allow enough slack to store 1 meter of fiber cable after termination. Terminate fiber using instruction sheets provided with fiber product and route excess fiber around storage posts in base to maintain proper bend radius. See Figure 5.

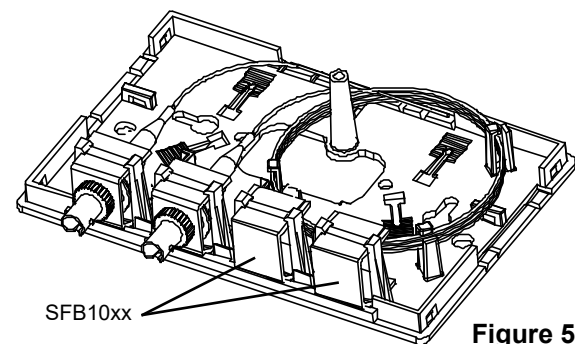


Figure 5

Note: When using the 4-Port box, populate the left two ports with fiber to maintain proper bend radius.

6. Terminate individual jacks and modules utilizing the supplied instructions sheets. Insert terminated jacks or Snap-Fit modules into base unit by securing jack between the posts under the latch. See Figure 6.

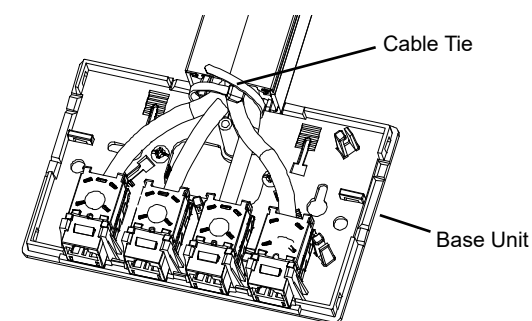


Figure 6

7. Snap cover onto base unit. Secure cover with supplied security screw. See Figure 7.

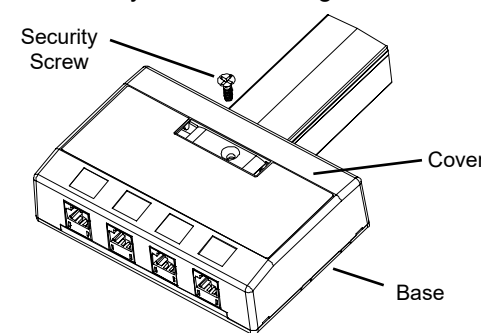


Figure 7

8. Insert face plate paper and clear plastic cover into box identification label slots. Optionally, laser printable adhesive port labels can be used to identify each port. See Figure 8.

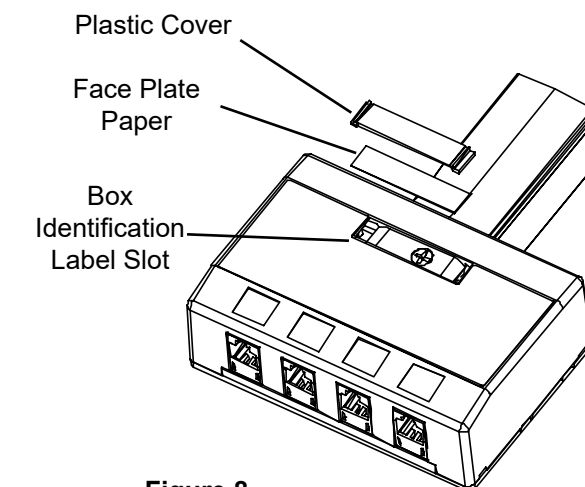


Figure 8

MODULAR FURNITURE MOUNTING

1. Engage furniture locks into base unit. Mount base into standard furniture opening (TIA/EIA) with the connectivity facing upwards. Ratchet furniture locks to secure base to furniture. See Figure 9.

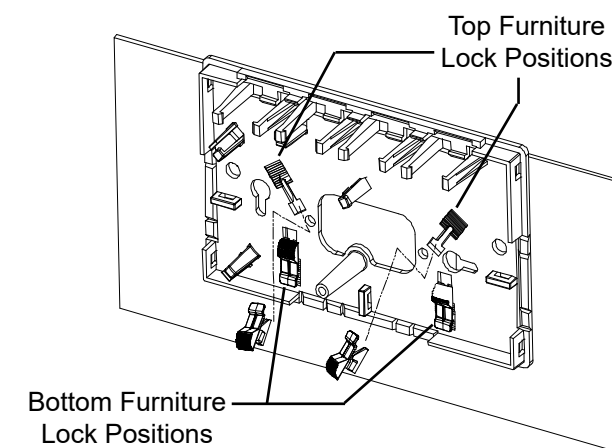


Figure 9