

NEXTSPEED®

Jack

Category 6 Shielded Jack with Cobra-Lock™ Termination

HUBBELL

- Third Party Verified Category 6 Component
- Cobra-Lock Termination Reduces Termination Time by Over 75%
- Wires Secured Under Constant Compression
- Easily Re-Terminate
- Qualified to 150% of 802.3bt PoE Current Level

Ordering Information

| Description | Qty | Color | UPC Number | Catalog Number |
|--|-----|-------|--------------|----------------|
| NEXTSPEED Category 6 Shielded Jack with Cobra-Lock Termination | 24 | Black | 662620662244 | HJS6BK24 |

Listings

ANSI/TIA/EIA-568 Category 6 component
UL 1863 - Communications-Circuit Accessory
UL 2043 - Suitable for Air-Handling Spaces
RoHS Compliant
IEC60512-99-002 for de-matting endurance under PoE load

Specifications

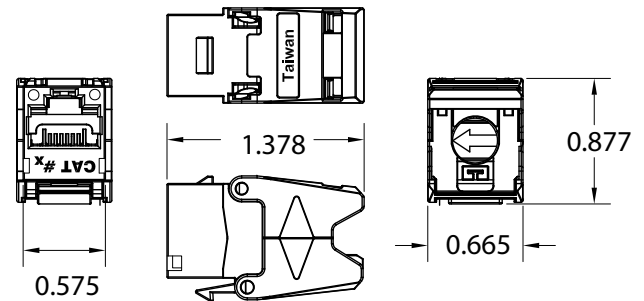
| | |
|--------------------------------|--|
| Nose Housing Material | Zinc die-cast |
| Rear Housing Material | Zinc die-cast |
| Nose Contacts | Copper Alloy with Gold Over Plating |
| IDC Contacts | Phosphor bronze with 100 micro-inch tin over plating |
| Dimensions in (mm) (H x W x D) | 0.87 (22) x 0.67 (17) x 1.39 (35) |
| Wire Compatibility | 24-22 AWG Solid |

Performance

| | |
|---------------------------|---|
| Electrical Performance | TIA Component Compliant |
| Withstand Voltage | 1,000 Vac @ 60 Hz |
| PoE Support | 3rd Party Tested to IEC60512-99-002 for POE disconnection endurance |
| Plug Mating Cycles | 750 Minimum |
| IDC Re-termination Cycles | 25 Maximum |
| Plug Compatibility | RJ-11 to 45 |
| Testing | 100% Factory Tested |
| Backward Compatibility | Cat5e and Cat6 |

Accessories

| Description | Catalog Number |
|--|----------------|
| HJS Series Color Face, 100-Pack, Black | SJFBK |
| Riser C6A FTP Cable | C6AFTPSPBK |
| Plenum C6A FTP Cable | C6AFTP SRBK |
| Shielded C6A Patch Cord | PC6ABK10 |
| RJ-45 Security Port Blocker, 25 pack | HXJDC25 |



Resources

Customer Drawings
eCatalog page

