



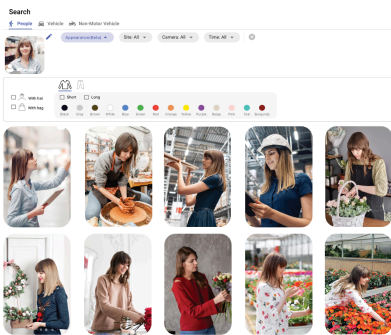
*Actual Turing bridge included may vary

The Turing TR-MRP042G2-B NVRs support 4 channels of video. Each channel has a POE port and is extremely easy to install with plug-and-play while using Turing Smart series cameras. Combined with the included Turing bridge, this bundle provides versatile local viewing and recording experience while still being complete with the powerful cloud VMS features of Turing Vision®.

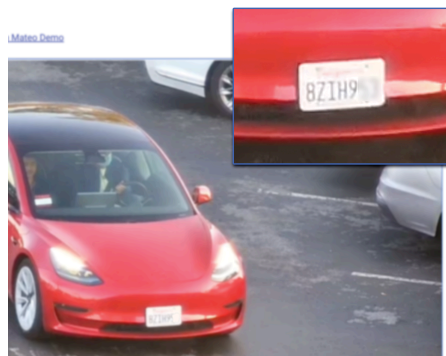
KEY FEATURES

- Enables Turing Vision® cloud VMS access for Turing and 3rd-party cameras
- Plug-and-play POE for all cameras
- Up to 16MP input resolution
- Supports H.265 & H.264
- 1 SATA HDD slots up to 16TB
- Synchronous output VGA & HDMI
- NDAA Compliant
- Includes Turing Vision bridge

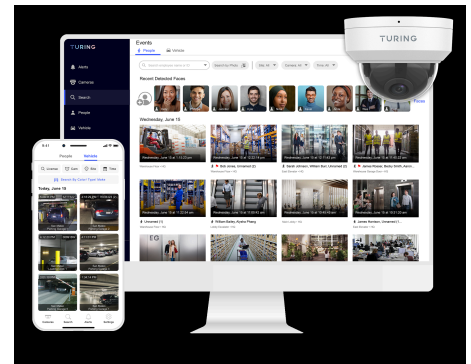
EMPOWER VIDEO SECURITY WITH TURING VISION® AND CORE AI



People* & vehicle attribute search



License plate detection and comparison



Customized smart alerts anywhere using Vision apps

*Activation depends on state regulations and the compliance with Biometric Information Protection Act (BIPA). Please refer to our privacy policy.

Visit turing.ai/get-core to find out more about CORE AI



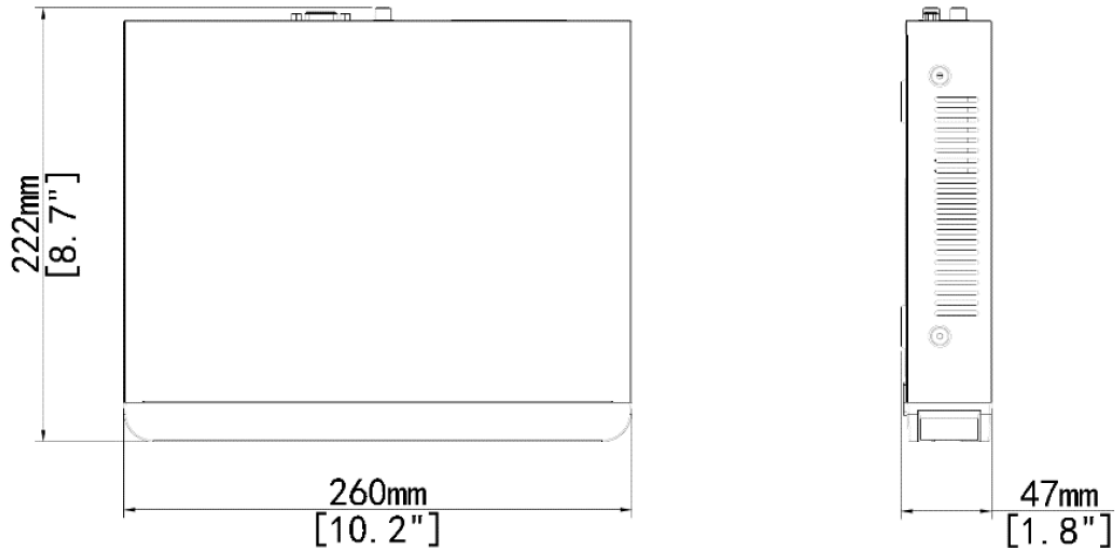
SPECIFICATIONS



MODEL	TR-MRP042G2-B
Video Inputs	4 POE ports
Input Resolution	16MP/12MP/8MP/6MP/5MP/4MP/3MP/1080p/960p/720p/ D1/2CIF/CIF
HDMI/VGA Output	HDMI: 3840x2160/30Hz, 1920X1080, 1600X1200, 1280X1024, 1280X720, 1024X768 VGA: 1920X1080, 1280X1024, 1280X720, 1024X768
Output Type	Simultaneous VGA & HDMI
Decoding Capability	H.265: 16MPx2, 12MPx2, 4Kx4, 5MPx6, 4MPx8, 1080Px16, 960Px32 H.264: 16MPx2, 12MPx2, 4Kx2, 5MPx4, 4MPx6, 1080Px14, 720Px30, D1x32
Audio I/O	Audio In: 1-ch, RCA; Audio Out: 1-ch, RCA; G.711A, G.711U
Hard Disk Slots	1 SATA
Max HDD Size	16 TB
Pre-installed HDD	2 TB x1
Data Throughput	In: 80 Mbps / Out: 64 Mbps
LAN Interface	1x RJ45 10M/100M self-adaptive Ethernet Interface
Protocols	TCP/IP, P2P, UPnP, NTP, DHCP, PPPoE, HTTP, HTTPS, DNS, DDNS, SNMP, SMTP
PoE Plug and Play	4 Ports; IEEE 802.3af/at 50W Max Total
USB Interface	Rear panel: 1 x USB2.0, 1 x USB3.0
Alarm In/Out	n/a
Software Clients	Turing Vision mobile & desktop Apps; SMART Station
ONVIF Compatibility	Profiles S, G, T
Cloud Access	Turing Vision ® with included bridge device
Power Consumption (w/o HDD & cameras)	10W Max; 48V DC (external power adapter included)
Working Environment	-10°C~+ 55°C (+14°F~+131°F), Humidity ≤ 90% RH (non-condensing)
Dimensions & Weight	260 mm × 222 mm × 47 mm (10.2"×8.7"×1.8 "); 1.1kg (2.43 lb)
Rack Mount	Included
Certification	CE (EN 55032: 2015, EN 61000-3-3: 2013, EN IEC 61000-3-2: 2019, EN 55035: 2017), FCC (Part15 Subpart B, ANSI C63.4), UL, RoHS, WEEE



DIMENSIONS



Rear Panels

