

## DesignMax DM3P

Pendant Loudspeaker

Installation Guide.....	2
Guía de instalación.....	6
Notice d'installation.....	10
Installationsanleitung.....	14
Guida all'installazione.....	18
Installatiehandleiding.....	22


Monteringsveiledning.....	26
Instrukcja montażu.....	30
安装指南.....	34
安裝指南.....	38
設置ガイド.....	42
46.....	دليل التركيب

## Please read and keep all safety and use instructions.


This product is intended for installation by professional installers only! This document is intended to provide professional installers with basic installation and safety guidelines for this product in typical fixed-installation systems. Please read this document and all safety warnings before attempting installation.

Do not attempt to service this product yourself. Refer all servicing to authorized service centers, installers, technicians, dealers or distributors. To contact Bose Professional or to find a dealer or distributor near you, visit [BoseProfessional.com](http://BoseProfessional.com).


1. Read these instructions.
2. Keep these instructions.
3. Heed all warnings.
4. Follow all instructions.
5. Do not use this apparatus near water.
6. Clean only with a dry cloth.
7. Do not block any ventilation openings. Install in accordance with the manufacturer's instructions.
8. Do not install near any heat sources such as radiators, heat registers, stoves, or other apparatus (including amplifiers) that produces heat.
9. Only use attachments/accessories specified by the manufacturer.



### WARNINGS/CAUTIONS



This product contains magnetic material. Consult your physician on whether this might affect your implantable medical device.



Contains small parts which may be a choking hazard. Not suitable for children under age 3.

- This product is intended for indoor use only.
- All Bose Professional products must be installed in accordance with local, state, federal and industry regulations. It is the installer's responsibility to ensure installation of the loudspeakers and mounting system is performed in accordance with all applicable codes, including local building codes and regulations. Consult the local authority having jurisdiction before installing this product.
- Unsafe mounting or overhead suspension of any heavy load can result in serious injury or death, and property damage. It is the installer's responsibility to evaluate the reliability of any mounting method used for their application. Only professional installers with the knowledge of proper hardware and safe mounting techniques should attempt to install any loudspeaker overhead.
- Do not mount the product in locations where it may be exposed to water or condensation.
- Do not expose this product to dripping or splashing, and do not place objects filled with liquids on or near the product.
- Do not mount on surfaces that are not sturdy, or that have hazards concealed behind them, such as electrical wiring or plumbing. Ensure the bracket is installed by a qualified professional installer and in accordance with local building codes.
- Use only the hardware and accessories included or specified by Bose Professional for use with DesignMax DM3P loudspeakers. For information on compatible accessories, see the product's technical data sheet at [BoseProfessional.com](http://BoseProfessional.com).
- Keep the product away from fire and heat sources. Do not place naked flame sources, such as lighted candles, on or near the product.
- Do not make unauthorized alterations to this product.
- Do not expose loudspeaker or mounting components to any chemical substances that are not specified by Bose Professional, including but not limited to lubricants, cleaning agents, contact sprays, or hydrocarbon-based solvents. Exposure to such substances can lead to degradation of the plastic material, resulting in cracking and creating a falling hazard.
- Clean speakers using only a dry cloth. Do not expose loudspeaker to soap, detergent, mineral oil, alcohol or other cleaning agents or chemicals.

**Cable-specific Warnings:**

- The cable is not intended for installation or use in indoor water facility areas (including, without limitation, indoor pools, indoor water parks, hot tub rooms, saunas, steam rooms and indoor skating rinks).
- Do not use for lifting, such as a crane or pulley, or for hanging installations that include movement or dynamic behavior. Intended for hanging static loudspeakers only.
- Do not walk or stand on the cable installation.
- Do not paint the cable fastener or any other part of the cable assembly.
- If using a cable system not supplied by Bose Professional, the working load limit must be equal to or greater than the supplied cable system. See **Technical Specifications** for Safe Working Load.
- Do not apply oil or any other lubricant to the cable fastener or any other part of the cable assembly.
- Never join two cables together. Only use one cable assembly per loudspeaker hang point.
- Only use the pendant suspension cable with Bose Professional pendant loudspeakers.

## Product Ratings:

Input Voltage: 70V/100V

Impedance: 8 Ω, 25 W

Current or Power: (70V): 3W, 6W, 12W, 25W; (100V): 6W, 12W, 25W

## Regulatory Information



This product conforms to all applicable EU directive requirements. The complete declaration of conformity can be found at: [www.Bose.com/compliance](http://www.Bose.com/compliance).



This product conforms to all applicable Electromagnetic Compatibility Regulations 2016 and all other applicable UK regulations. The complete declaration of conformity can be found at: [www.Bose.com/compliance](http://www.Bose.com/compliance)




This symbol means the product must not be discarded as household waste, and should be delivered to an appropriate collection facility for recycling. Proper disposal and recycling helps protect natural resources, human health and the environment. For more information on disposal and recycling of this product, contact your local municipality, disposal service, or the shop where you bought this product.

## China Restriction of Hazardous Substances Table

Names and Contents of Toxic or Hazardous Substances or Elements						
Part Name	Toxic or Hazardous Substances and Elements					
	Lead (Pb)	Mercury (Hg)	Cadmium (Cd)	Hexavalent chromium (Cr(VI))	Polybrominated Biphenyl (PBB)	Polybrominated diphenylether (PBDE)
PCBs	X	0	0	0	0	0
Metal Parts	X	0	0	0	0	0
Plastic Parts	0	0	0	0	0	0
Speakers	X	0	0	0	0	0
Cables	X	0	0	0	0	0

This table is prepared in accordance with the provisions of SJ/T 11364.  
 0: Indicates that this toxic or hazardous substance contained in all of the homogeneous materials for this part is below the limit requirement of GB/T 26572.  
 X: Indicates that this toxic or hazardous substance contained in at least one of the homogeneous materials used for this part is above the limit requirement of GB/T 26572.



## Taiwan Restriction of Hazardous Substances Table

Equipment name: DesignMax DM3P, Type designation: 841165						
Unit	Restricted substances and its chemical symbols					
	Lead (Pb)	Mercury (Hg)	Cadmium (Cd)	Hexavalent chromium (Cr+6)	Polybrominated biphenyls (PBB)	Polybrominated diphenyl ethers (PBDE)
PCBs	-	0	0	0	0	0
Metal Parts	-	0	0	0	0	0
Plastic Parts	0	0	0	0	0	0
Speakers	-	0	0	0	0	0
Cables	-	0	0	0	0	0

**Note 1:** "0" indicates that the percentage content of the restricted substance does not exceed the percentage of reference value of presence.  
**Note 2:** The "-" indicates that the restricted substance corresponds to the exemption.

**Date of Manufacture:** The eighth digit in the serial number indicates the year of manufacture; "7" is 2007 or 2017.

**EU Importer:** Transom Post Netherlands B.V., Keizersgracht 391A, 1016 EJ, Amsterdam  
**UK Importer:** Transom Post Netherlands UK, Squires House 205a High Street, West Wickham, BR4 0PH | **Japan Importer:** Transom Post International Japan KK Co., Ltd. PMO Tamachi IV Shiba5-29-19, Minato-ku, Tokyo | **Australia Importer:** Transom Post Australia Pty. Ltd., Level 14, 60 Margaret Street, Sydney, NSW 2000 | **China Importer:** Transom Post (Shanghai) Audio Co. Ltd Room 2209, Building 1, 175 Longyao Road, Xuhui District, Shanghai | **Mexico Importer:** POST INTL MEXICO, S. DE R.L. DE C.V. Insurgentes Sur No. 1079, 1st floor, Colonia Noche Buena, Benito Juárez, C.P. 03270, Mexico City | **UAE Importer:** 102 A, Sama Tower Sheikh Zayed Road, Dubai UAE

Bose is a trademark of Bose Corporation.

DesignMax is a trademark of Transom Post OpCo LLC.

Bose Professional, 117 South St, Hopkinton, MA 01748 USA

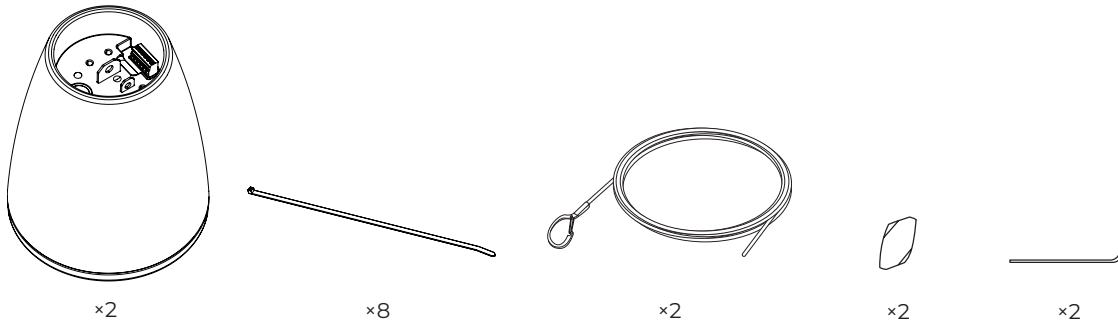
©2024 Transom Post OpCo LLC. No part of this work may be reproduced, modified, distributed or otherwise used without prior written permission.

### Warranty Information

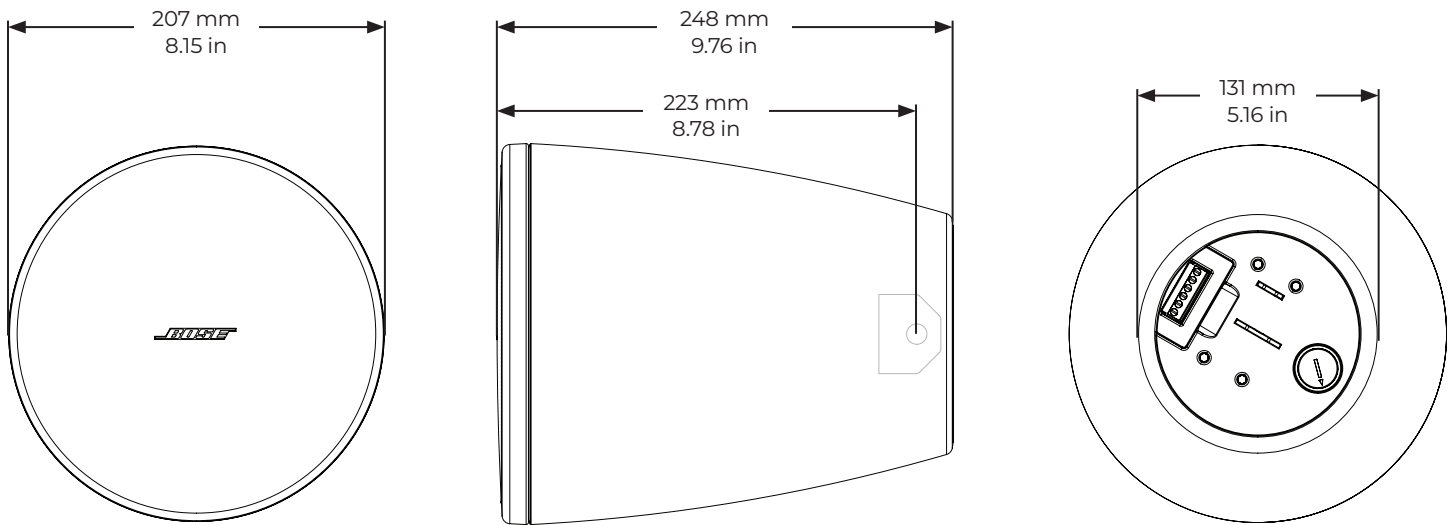
This product is covered by a limited warranty.

For warranty details, visit [BoseProfessional.com/Warranty](http://BoseProfessional.com/Warranty).

## Package Contents



## Product Dimensions



## Technical Specifications

For additional specifications, see the DesignMax DM3P technical data sheet at [BoseProfessional.com](http://BoseProfessional.com).

Physical	
<b>Product Dimensions</b>	Bottom diameter: 207 mm (8.15 in)
	Height: 248 mm (9.76 in)
	Top diameter: 131 mm (5.16 in)
<b>Cable Dimensions</b>	Length: 4.57 m (15.00 ft)
	Diameter: 2 mm (0.08 in)
<b>Max Load (Safe Working Load) <sup>1</sup></b>	45.36 kg (100.0 lb)
<b>Net Weight, Loudspeaker (single)</b>	2.51 kg (5.53 lb)
<b>Shipping Weight (pair)</b>	7.00 kg (15.43 lb)
<b>Operating Temperature Range</b>	0 °C to 50 °C (32 °F to 122 °F)
<b>Color</b>	Black (similar to RAL 9005); White (similar to RAL 9003)
<b>Paintable</b>	Choose a paint that is specifically designed for use with Polypropylene (PP) plastics.
<b>Environmental</b>	Indoor Only

<sup>1</sup> Always use the cable within its stated Safe Working Load. The included suspension cable has a Safe Working Load of 100 lbs.

## Important Installation Information



Before installing the loudspeaker, review **Important Safety Instructions** on page 2.

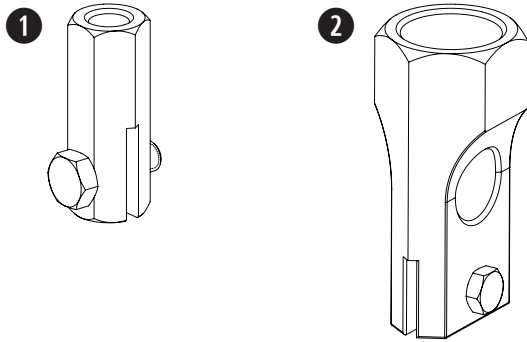
## Safety and Regulatory Compliance

The DesignMax DM3P loudspeaker has passed testing and complies with the following specifications and uses:

- Listed to ANSI/UL 1480A-2016, Speakers for Commercial & Safety Professional Use
- General-Purpose Use - UL Category UEAY, File Number S36835
- Suitable for installation using Class 1, Class 2, Class 3 wiring methods in accordance with NFPA 70, National Electrical Code, 2017, Article 640

## Optional Installation Accessories

- 1 Threaded Rod Adapter
- 2 Pendant Conduit Adapter



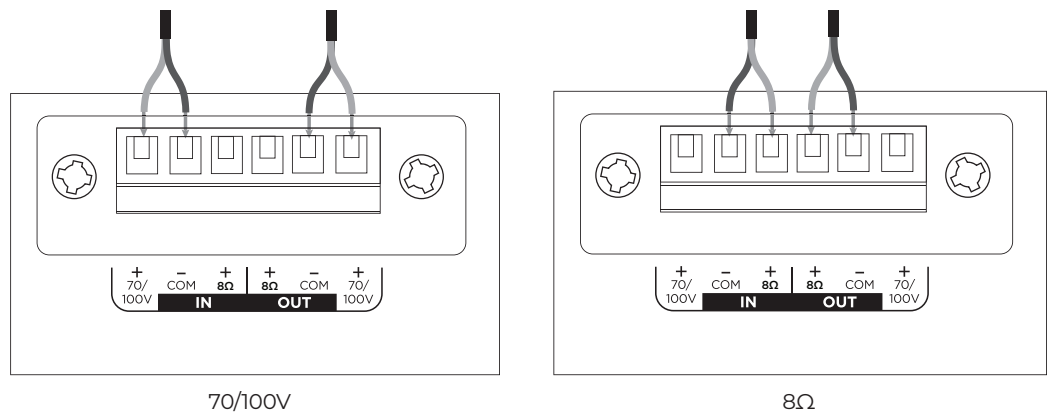
## Wiring the Loudspeaker

### Wire Gauge

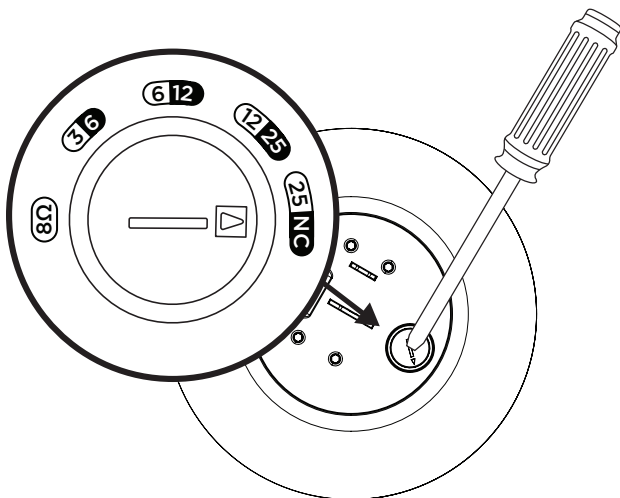
The DesignMax DM3P loudspeaker is designed to work with 18 AWG (0.8 mm<sup>2</sup>) to 14 AWG (2.1 mm<sup>2</sup>) size wire only.

### Connection Diagrams

Expose six millimeters (¼ inch) of bare wire to attach to the terminals.



## Loudspeaker Settings



70V				8Ω
3W	6W	12W	25W*	
6W	12W	25W	NC**	
100V				

\* Factory default

\*\* NC: No Connection (do not use)

### Transformer Tap Setting

Set tap by turning. Use a flat head screwdriver.

## Preparing the Installation

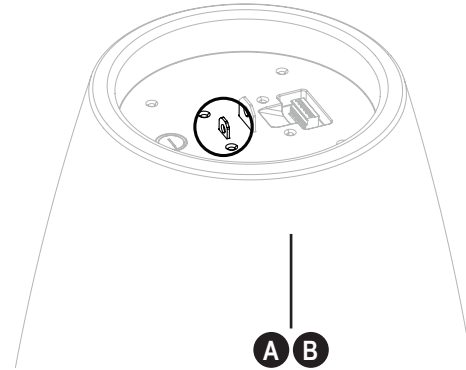
### Using a Safety Cable

Some regional construction codes require the use of a secondary method of securing loudspeakers to support structures to provide additional safety. Choose a mounting position, method, and hardware consistent with local building codes and regulations.

Bose Professional recommends using (A) a safety wire or (B) a safety cable as a secondary securing mechanism (not included). See the diagram to the right for safety attachment points.

The included suspension cable can be used as a safety cable when using the Threaded Rod Adapter or Pendant Conduit Adapter accessories.

Follow the manufacturer's instructions for any secondary securing mechanism implemented.



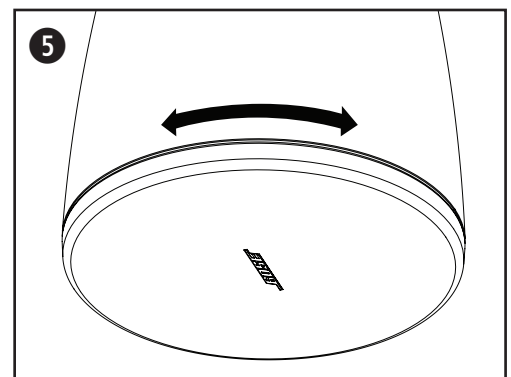
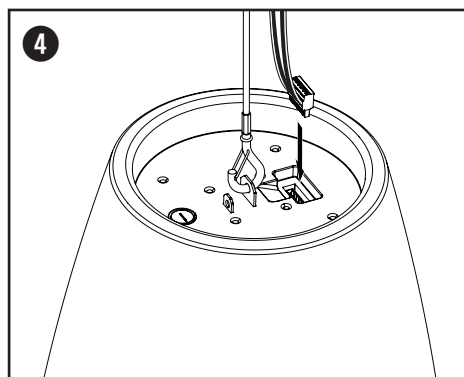
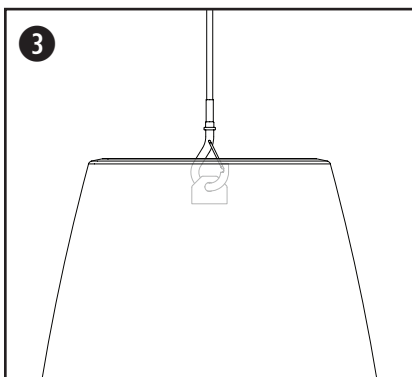
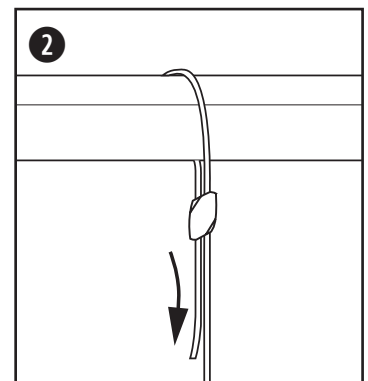
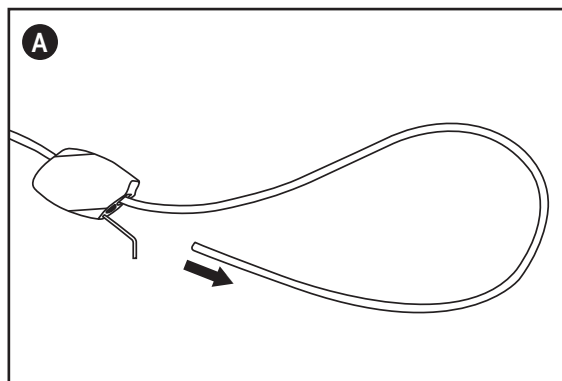
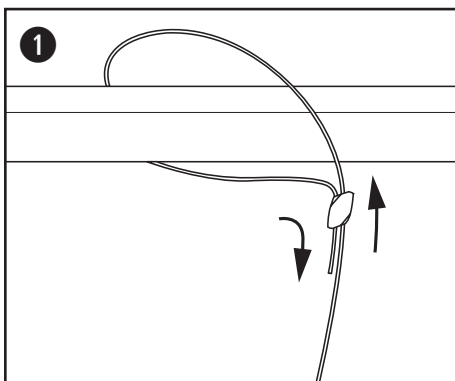
### Mounting the Loudspeaker

Before beginning installation, be sure to adjust your loudspeaker tap setting.

1. Insert the included suspension cable through the cable fastener and wrap the cable around a support structure; secure the cable using the cable fastener. **Note:** Arrows on the cable fastener indicate the cable direction.  
A. To loosen the cable, insert the fastener tool into the release hole and adjust the cable.
2. Pull the loose end of the suspension cable to adjust the cable to the desired height.
3. Secure the cable clip to the center attachment point. Once you've reached the desired loudspeaker height, cut away any excess cable.  
**Note:** Trim any frayed filaments with wire cutters after cutting to length.
4. Remove the connector, wire the connector, and reinsert the connector into the loudspeaker. For wiring information, see **Wiring the Loudspeaker** on page 4.  
**Note:** If you intend to use a service loop, it can be stored in the loudspeaker recess at the top of the enclosure.

Use the included cable ties to secure the wiring to the suspension cable.

5. Rotate the grille so the logo is in an orientation suitable for your installation.  
**Note:** Do not remove the grille unless painting. Logo can be removed from the grille by peeling away from grille surface.



## Lea y conserve todas las instrucciones de uso y seguridad.

Este producto está diseñado para ser instalado únicamente por instaladores profesionales. Este documento está diseñado para proveer las pautas de seguridad e instalación básicas a los instaladores profesionales de este producto en sistemas de instalación fija comunes. Lea este documento y todas las advertencias de seguridad antes de comenzar la instalación.

No intente reparar este producto por su cuenta. Remita todas las reparaciones a centros de servicio, instaladores, técnicos o distribuidores autorizados. Para comunicarse con Bose Professional o para encontrar un distribuidor cerca de usted, visite [BoseProfessional.com](http://BoseProfessional.com).

1. Lea estas instrucciones.
2. Guarde estas instrucciones.
3. Preste atención a las advertencias.
4. Siga todas las instrucciones.
5. No use este aparato cerca del agua.
6. Límpiolo solamente con un paño seco.
7. No obstruya ninguna abertura de ventilación. Realice la instalación conforme a las instrucciones del fabricante.
8. No lo instale cerca de una fuente de calor, como radiadores, rejillas de calefacción, estufas u otros aparatos (incluidos los amplificadores) que produzcan calor.
9. Utilice solamente los accesorios especificados por el fabricante.

## Especificaciones del producto:

Voltaje de entrada: 70 V/100 V

Impedancia: 8 Ω, 25 W

Opciones de potencia de salida: (70 V): 3 W, 6 W, 12 W, 25 W; (100 V): 6 W, 12 W, 25 W

## Información normativa



Este producto cumple con todos los requisitos de la directiva de la UE vigente. La declaración de conformidad completa se puede encontrar en [www.Bose.com/compliance](http://www.Bose.com/compliance).



Este producto cumple con todas las regulaciones aplicables de compatibilidad electromagnética de 2016 y todas las demás regulaciones aplicables del Reino Unido. La declaración de conformidad completa se puede encontrar en: [www.Bose.com/compliance](http://www.Bose.com/compliance)



Este símbolo significa que el producto no debe desecharse como residuo doméstico y que debe entregarse a un centro de recolección apropiado para reciclaje. La eliminación y el reciclado adecuados ayudan a proteger los recursos naturales, la salud de las personas y el medio ambiente. Para obtener más información acerca de la eliminación y el reciclado de este producto, comuníquese con su municipalidad local, un centro de servicios de desecho o la tienda donde compró este producto.

**Fecha de fabricación:** el octavo dígito del número de serie indica el año de fabricación; p. ej., "7" es 2007 o 2017.

**Importador en la UE:** Transom Post Netherlands B.V., Keizersgracht 391A, 1016 EJ, Amsterdam | **Importador en el Reino Unido:** Transom Post Netherlands UK, Squires House 205a High Street, West Wickham, BR4 0PH | **Importador de Japón:** Transom Post International Japan KK Co., Ltd. PMO Tamachi IV Shiba5-29-19, Minato-ku, Tokio | **Importador en Australia:** Transom Post Australia Pty. Ltd., Level 14, 60 Margaret Street, Sydney, NSW 2000 | **Importador de China:** Transom Post (Shanghai) Audio Co. Ltd Room 2209, Building 1, 175 Longyao Road, Xuhui District, Shanghai | **Importador de México:** POST INTL MEXICO, S. DE R.L. DE C.V. Insurgentes Sur n.º 1079, piso 1, Colonia Noche Buena, Benito Juárez, C.P. 03270, Ciudad de México | **Importador de Emiratos Árabes Unidos:** 102 A, Sama Tower Sheikh Zayed Road, Dubái, Emiratos Árabes Unidos

Bose es una marca comercial de Bose Corporation.

DesignMax es una marca comercial de Transom Post OpCo LLC.

Bose Professional, 117 South St, Hopkinton, MA 01748 USA

©2024 Transom Post OpCo LLC. Ninguna parte de este trabajo podrá reproducirse, modificarse, distribuirse ni usarse sin un permiso previo por escrito.

### Información de la garantía

Este producto está cubierto con una garantía limitada.

Para ver los detalles de la garantía, visite [BoseProfessional.com/Warranty](http://BoseProfessional.com/Warranty).



## ADVERTENCIAS/PRECAUCIONES



Este producto contiene material magnético. Consulte con su médico si esto podría afectar a un dispositivo médico implantable.



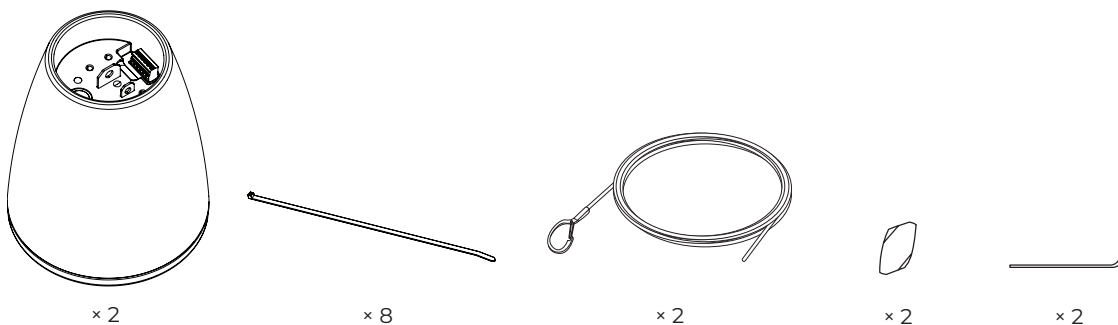
Contiene piezas pequeñas que pueden representar un riesgo de asfixia. No se recomienda para niños menores de 3 años.

- Este producto está destinado solo para uso en áreas interiores.
- Todos los productos Bose Professional deben instalarse conforme a las leyes locales, estatales, federales y del sector. Es responsabilidad del instalador garantizar que la instalación del sistema de soporte y los altavoces se realice conforme a los códigos aplicables, incluidos los códigos y las reglamentaciones de construcción locales. Consulte a la autoridad local competente antes de instalar este producto.
- El montaje inseguro o la suspensión en altura de cualquier carga pesada pueden provocar lesiones graves o la muerte, además de daños a la propiedad. Es responsabilidad del instalador evaluar la confiabilidad de cualquier método de montaje utilizado para su aplicación. Solo los instaladores profesionales con conocimiento de los componentes físicos adecuados y las técnicas de montaje seguro deberían intentar instalar cualquier altavoz en altura.
- No monte el producto en lugares donde pueda estar expuesto al agua o a la condensación.
- No exponga el producto a goteos o salpicaduras, y no coloque encima ni cerca del producto objetos llenos de líquido.
- Monte únicamente en superficies que sean resistentes y que no presenten peligros ocultos, como cableado eléctrico o plomería. Asegúrese de que un instalador profesional calificado instale el soporte y que lo haga de acuerdo con los códigos de construcción locales.
- Utilice solo el hardware y los accesorios incluidos, o bien los que Bose Professional especifica como aptos para los altavoces DesignMax DM3P. Para obtener información sobre los accesorios compatibles, consulte la hoja de datos técnicos del producto en [BoseProfessional.com](http://BoseProfessional.com).
- Mantenga el producto lejos del fuego y de fuentes de calor. No coloque sobre el producto, o en su proximidad, fuentes de llamas sin protección; por ejemplo, velas encendidas.
- No realice alteraciones no autorizadas a este producto.
- No exponga el altavoz ni los componentes de montaje a sustancias químicas que no hayan sido especificadas por Bose Professional, incluidos, entre otros, lubricantes, productos de limpieza, aerosoles de contacto o disolventes a base de hidrocarburos. La exposición a estas sustancias puede degradar el plástico, lo que produce grietas y el riesgo de que se caiga el dispositivo.
- Limpie los altavoces solo con un paño seco. No exponga los altavoces a detergentes, aceite mineral, alcohol ni otros agentes o químicos de limpieza.

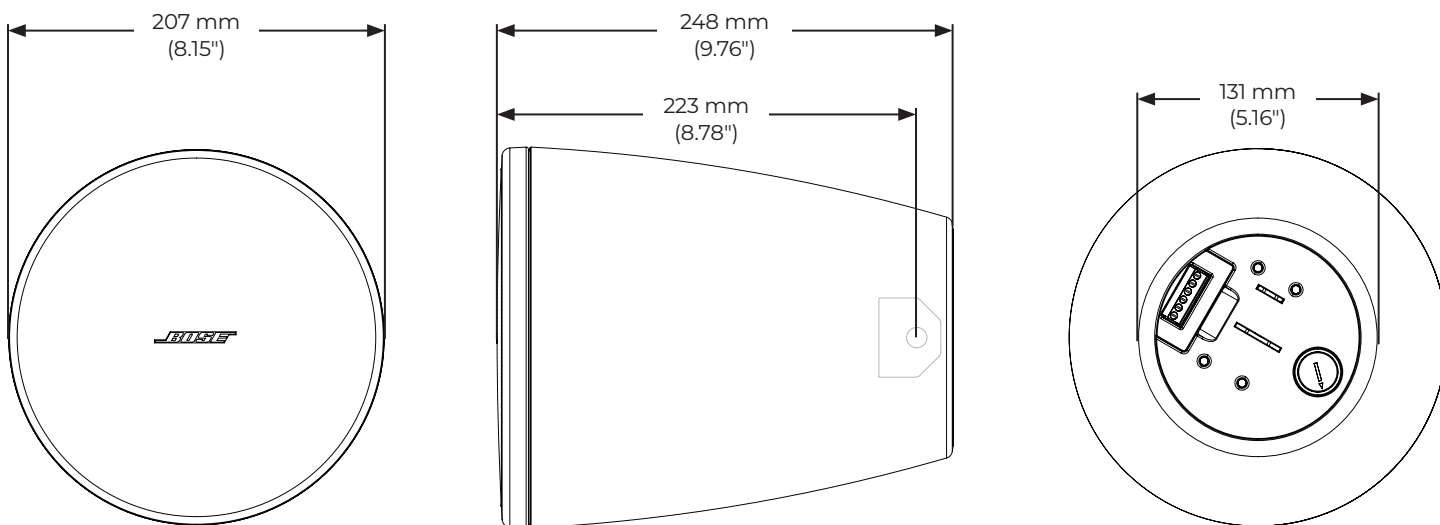
### Advertencias específicas del cable:

- Este cable no está diseñado para ser instalado ni utilizado en zonas de instalaciones acuáticas en interiores (incluidos, entre otros, piscinas techadas, parques acuáticos techados, jacuzzis, saunas, salas de vapor y pistas de patinaje techadas).
- No lo utilice para levantamientos, como una grúa o polea, ni en instalaciones colgantes que incluyan movimiento o comportamiento dinámico. Está diseñado solo para colgar altavoces estáticos.
- No camine ni se pare sobre la instalación del cable.
- No pinte el sujetador del cable ni ninguna otra pieza del conjunto del cable.
- Si utiliza un sistema de cables no proporcionado por Bose Professional, el límite de carga de trabajo debe ser igual o superior al sistema de cables suministrado. Consulte las **Especificaciones técnicas** para la carga de trabajo segura.
- No aplique aceite ni ningún otro lubricante al sujetador del cable ni a ninguna otra pieza del conjunto de este.
- Nunca combine dos cables. Utilice solo un conjunto del cable por punto de anclaje del altavoz.
- Utilice el cable colgante de suspensión únicamente con los altavoces colgantes Bose Professional.

## Contenido de la caja



## Dimensiones del producto



## Especificaciones técnicas

Para conocer más especificaciones, consulte la hoja de datos técnicos de DesignMax DM3P en [BoseProfessional.com](http://BoseProfessional.com).

Características físicas	
Dimensiones del producto	Diámetro inferior: 207 mm (8.15")
	Altura: 248 mm (9.76")
	Diámetro superior: 131 mm (5.16")
Dimensiones del cable	Largo: 4.57 m (15.00 pies)
	Diámetro: 2 mm (0.08")
Carga máxima (carga de trabajo segura) <sup>1</sup>	45.36 kg (100.0 lb)
Peso neto, altavoz (individual)	2.51 kg (5.53 lb)
Peso de envío (par)	7.00 kg (15.43 lb)
Rango de temperatura operativo	0 °C a 50 °C (32 °F a 122 °F)
Color	Negro (similar a RAL 9005), blanco (similar a RAL 9003)
Pintable	Elija una pintura que esté específicamente diseñada para su uso con plásticos de polipropileno (PP).
Ambiente de uso	Únicamente para áreas interiores

1. Utilice siempre el cable dentro del límite de carga de trabajo segura que se señala. El cable de suspensión incluido tiene una carga de trabajo segura de 45.4 kg (100 lb).

## Información importante sobre la instalación



Antes de instalar el altavoz, revise las **Instrucciones importantes de seguridad** en la página 6.

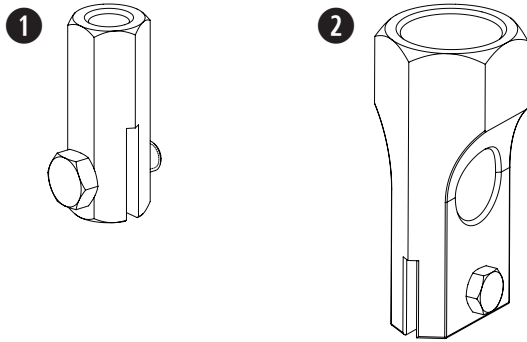
## Cumplimiento de las normativas y los reglamentos de seguridad

El altavoz DesignMax DM3P ha superado pruebas y cumple con los siguientes usos y especificaciones:

- Registrados en el estándar ANSI/UL 1480A-2016 para altavoces de uso comercial y profesional seguro
- Uso general: estándar UL categoría UEAY, número de archivo S36835
- Apto para la instalación con métodos de cableado Clase 1, Clase 2 y Clase 3 de conformidad con el estándar NFPA 70, Código Eléctrico Nacional, 2017, Artículo 640

## Accesorios de instalación opcionales

- ❶ Adaptador de barra roscada
- ❷ Adaptador de conducto colgante



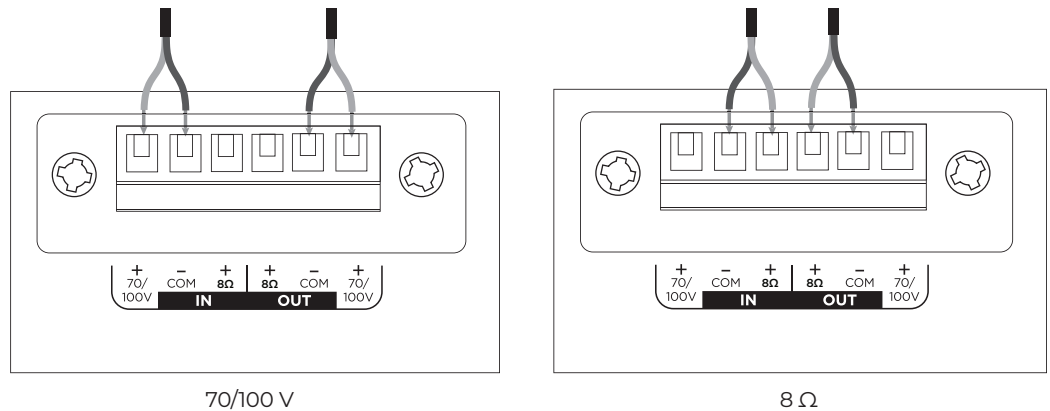
## Cableado de los altavoces

### Calibre de cable

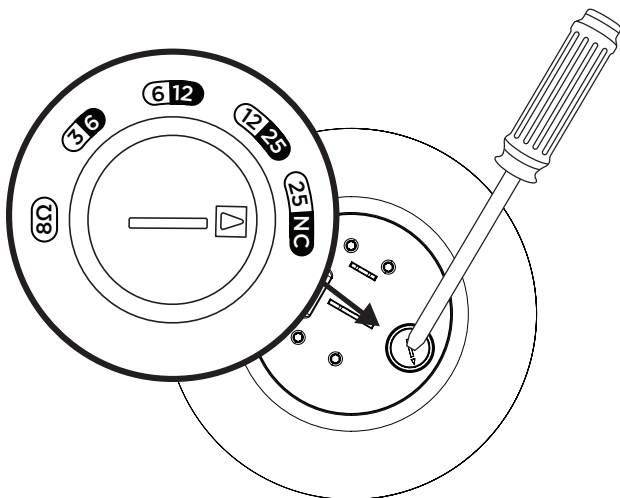
El altavoz DesignMax DM3P está diseñado para funcionar únicamente con cables que midan de 18 AWG (0.8 mm<sup>2</sup>) a 14 AWG (2.1 mm<sup>2</sup>).

### Diagramas de conexión

Exponga 6 mm (¼") de cable sin aislación para conectarlo a los terminales.



## Configuración de altavoz



70 V				8 Ω
3 W	6 W	12 W	25 W*	
6 W	12 W	25 W	NC**	
100 V				

\* Predeterminado de fábrica

\*\* NC: Sin conexión (no utilizar)

### Configuración de la toma del transformador

Gire la toma para establecer la configuración. Utilice un destornillador de cabeza plana.



## Preparación de la instalación

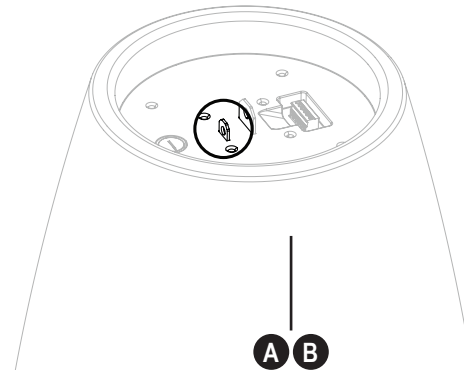
### Uso de un cable de seguridad

En algunos códigos regionales de construcción se exige el uso de un método secundario de fijación de los altavoces a estructuras de apoyo con el propósito de brindar mayor seguridad. Elija una posición de montaje, un método y los componentes que cumplan con los códigos y los reglamentos locales de construcción.

Bose Professional recomienda utilizar (A) un alambre de seguridad o (B) un cable de seguridad como mecanismo secundario de fijación (no incluidos). Consulte el diagrama situado a la derecha para conocer los puntos de fijación de seguridad.

El cable de suspensión incluido puede utilizarse como cable de seguridad cuando se utiliza el adaptador de barra roscada o el adaptador de conducto colgante.

Siga las instrucciones del fabricante en la instalación de cualquier mecanismo de fijación secundario que desee implementar.



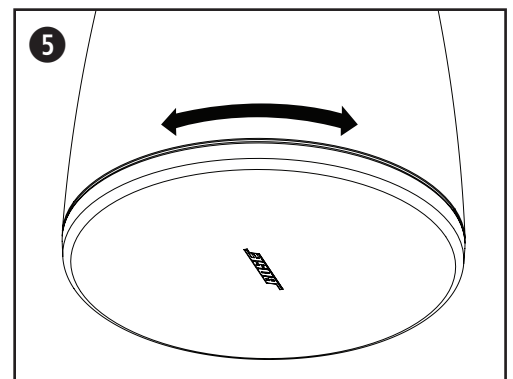
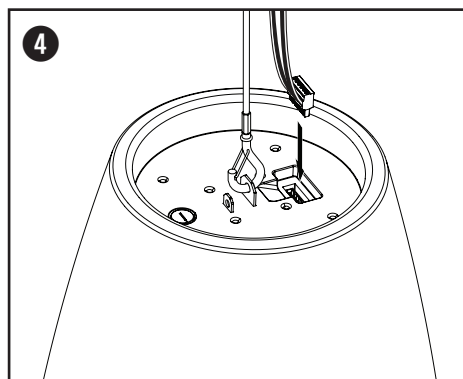
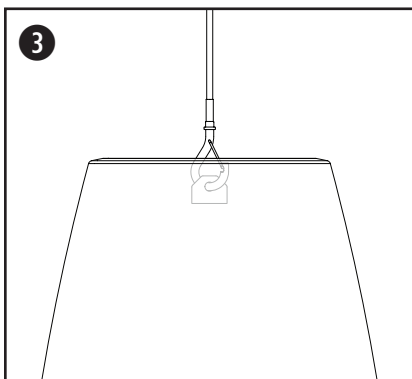
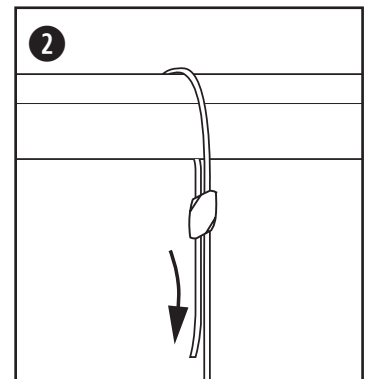
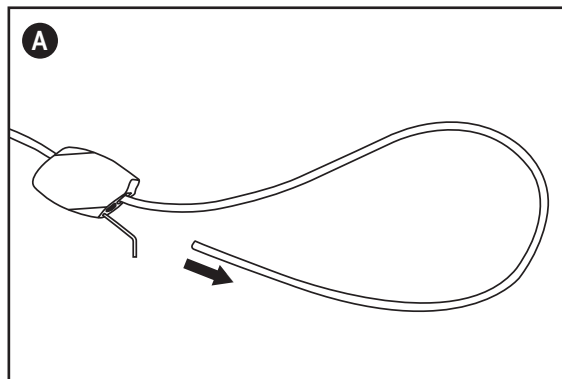
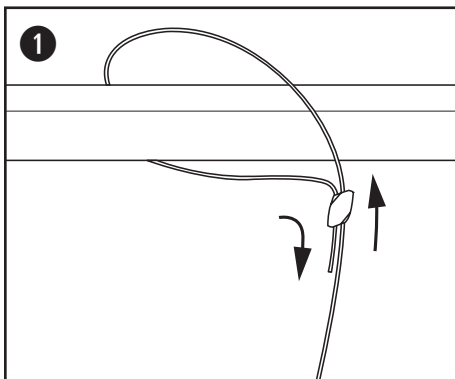
### Montaje del altavoz

Antes de comenzar la instalación, asegúrese de ajustar la configuración de la toma del altavoz.

1. Inserte el cable de suspensión incluido a través del sujetador del cable y enróllelo alrededor de una estructura de soporte; fije el cable con su sujetador. **Nota:** Las flechas del sujetador del cable indican la dirección del cable.  
A. Para aflojar el cable, inserte la herramienta del sujetador en el orificio de sujeción y ajuste el cable.
2. Tire del extremo suelto del cable de suspensión para ajustar el cable a la altura deseada.
3. Fije el clip del cable al punto de conexión central. Una vez que alcance la altura deseada del altavoz, corte el exceso de cable. **Nota:** Recorte los filamentos deshilachados con cortaalambres después de cortarlo según la longitud adecuada.
4. Retire el conector, conéctele los cables y vuelva a insertarlo en el altavoz. Para obtener información sobre el cableado, consulte **Cableado de los altavoces** en la página 8.  
**Nota:** Si pretende utilizar un bucle de servicio, puede guardarlo en el hueco para altavoces que se encuentra en la parte superior del gabinete.

Utilice los sujetacables incluidos para fijar el cableado al cable de suspensión.

5. Gire la rejilla para que el logotipo esté en una orientación adecuada para su instalación.  
**Nota:** No quite la rejilla, a menos que esté pintando. Para quitar el logotipo de la rejilla, retire la superficie de esta.



## Lisez toutes les consignes de sécurité et les instructions d'utilisation.

L'installation de ce produit doit être effectuée par un technicien professionnel ! Ce document est destiné à fournir aux techniciens professionnels les directives de montage et de sécurité relatives à ce produit dédié à une installation fixe. Veuillez lire ce document, ainsi que l'ensemble des avertissements de sécurité avant de procéder à l'installation.

Ne tentez pas de réparer ce produit vous-même. Confiez toutes les opérations de maintenance à des centres de service, installateurs, techniciens, revendeurs ou distributeurs agréés. Pour contacter Bose Professional ou pour trouver un revendeur ou un distributeur près de chez vous, rendez-vous à l'adresse **BoseProfessional.com**.

1. Lisez attentivement ces instructions.
2. Veuillez conserver ces consignes.
3. Respectez tous les avertissements.
4. Suivez toutes les instructions.
5. N'utilisez pas cet appareil à proximité d'eau ou de toute autre source d'humidité.
6. Utilisez uniquement un chiffon sec pour le nettoyage.
7. N'obstruez jamais les orifices d'aération. Suivez les instructions d'installation du fabricant.
8. N'installez pas cet appareil à proximité d'une quelconque source de chaleur, telle qu'un radiateur, une arrivée d'air chaud, un four ou tout autre appareil (notamment les amplificateurs) produisant de la chaleur.
9. Utilisez uniquement les accessoires spécifiés par le fabricant.

## Spécifications du produit :

Tension d'entrée : 70 V/100 V

Impédance : 8 Ω, 25 W

Courant ou puissance : (70 V) : 3 W, 6 W, 12 W, 25 W ; (100 V) : 6 W, 12 W, 25 W

## Informations réglementaires



Ce produit est conforme à toutes les directives de l'Union européenne qui s'y appliquent. La déclaration de conformité complète est disponible à l'adresse suivante : [www.Bose.com/compliance/](http://www.Bose.com/compliance/).



Ce produit est conforme à toutes les réglementations de 2016 en matière de compatibilité électromagnétique et à toutes les autres réglementations britanniques applicables. L'attestation complète de conformité est disponible à l'adresse [www.Bose.com/compliance](http://www.Bose.com/compliance)



Ce symbole signifie que le produit ne doit pas être jeté avec les déchets ménagers, mais déposé dans un centre de collecte approprié pour recyclage. Une mise au rebut et un recyclage adéquats permettent de protéger les ressources naturelles, la santé humaine et l'environnement. Pour plus d'informations sur l'élimination et le recyclage de ce produit, contactez votre mairie, votre service de ramassage des ordures ou le magasin où vous l'avez acheté.

**Date de fabrication :** le huitième chiffre du numéro de série indique l'année de fabrication ; par exemple, « 7 » correspond à 2007 ou à 2017.

**Importateur pour l'UE :** Transom Post Netherlands B.V., Keizersgracht 391A, 1016 EJ, Amsterdam | **Importateur pour le Royaume-Uni :** Transom Post Netherlands UK, Squires House 205a High Street, West Wickham, BR4 0PH | **Importateur pour le Japon :** Transom Post International Japan KK Co., Ltd. PMO Tamachi IV Shiba5-29-19, Minato-ku, Tokyo | **Importateur pour l'Australie :** Transom Post Australia Pty. Ltd., Level 14, 60 Margaret Street, Sydney, NSW 2000 | **Importateur pour la Chine :** Transom Post (Shanghai) Audio Co. Ltd Room 2209, Building 1, 175 Longyao Road, Xuhui District, Shanghai | **Importateur pour le Mexique :** POST INTL MEXICO, S. DE R.L. DE C.V. Insurgentes Sur No. 1079, 1st floor, Colonia Noche Buena, Benito Juárez, C.P. 03270, Mexico City | **Importateur pour les Émirats arabes unis :** 102 A, Sama Tower Sheikh Zayed Road, Dubai UAE

Bose est une marque commerciale de Bose Corporation.

DesignMax est une marque commerciale de Transom Post OpCo LLC.

Bose Professional, 117 South St, Hopkinton, MA 01748 USA

©2024 Transom Post OpCo LLC. Toute reproduction, modification, distribution ou autre utilisation, même partielle, de ce document est interdite sans autorisation écrite préalable.

### Informations relatives à la garantie

Cet appareil est couvert par une garantie limitée.

Pour de plus amples informations sur la garantie, visitez [BoseProfessional.com/Warranty](http://BoseProfessional.com/Warranty).



## AVERTISSEMENTS/PRÉCAUTIONS



Ce produit contient des composants magnétiques. Consultez votre médecin afin de savoir si ces composants peuvent avoir une incidence sur tout dispositif médical implanté.



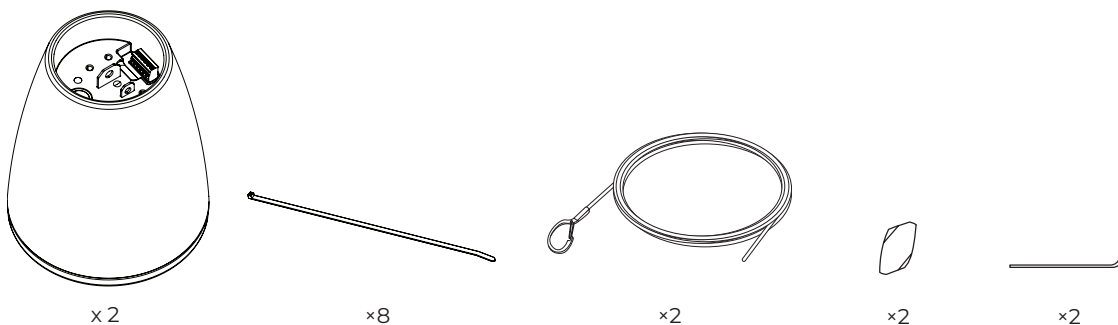
Certaines pièces présentent un risque de suffocation. Ne les laissez pas à la portée des enfants de moins de 3 ans.

- Ce produit est destiné à une utilisation en intérieur uniquement.
- Tous les produits Bose Professional doivent être installés dans le respect des réglementations locales et nationales. L'installateur est responsable du respect de tous les codes et règlements locaux et nationaux en vigueur applicables à l'installation et au montage des enceintes. Consultez les autorités locales compétentes avant d'installer ce produit.
- Tout montage non sécurisé ou suspension d'une lourde charge peut provoquer des dégâts matériels et des blessures graves, voire la mort. Il est de la responsabilité de l'installateur d'évaluer la fiabilité de la méthode de montage utilisée, en fonction de l'application. Seul un installateur professionnel connaissant les accessoires et techniques de montage adaptés est qualifié pour installer des enceintes suspendues.
- Ne montez pas le produit dans des endroits où il peut être exposé à l'eau ou à la condensation.
- Protégez ce produit de tout risque de ruissellement ou d'éclaboussure. Ne placez pas d'objets contenant des liquides sur le produit ou à proximité.
- N'installez pas l'appareil sur des surfaces peu résistantes ou dans lesquelles peuvent être intégrés des fils électriques ou des tuyaux de plomberie. Confiez l'installation du support à un professionnel qualifié, conformément aux réglementations locales.
- N'utilisez que le matériel et les accessoires livrés ou spécifiés par Bose Professional pour une utilisation avec les enceintes DesignMax DM3P. Pour plus d'informations sur les accessoires compatibles, reportez-vous à la fiche technique du produit sur [BoseProfessional.com](http://BoseProfessional.com).
- Tenez le produit à l'écart du feu et des sources de chaleur. Ne placez jamais d'objets enflammés, tels que des bougies allumées, sur l'appareil.
- Veillez à ne pas effectuer de modifications non autorisées sur ce produit.
- N'exposez pas l'enceinte ou les accessoires de montage à des substances chimiques qui ne sont pas spécifiées par Bose Professional, y compris, mais sans s'y limiter, les lubrifiants, les produits de nettoyage, les sprays de contact ou les solvants à base d'hydrocarbures. L'exposition à de telles substances peut provoquer une dégradation du matériau plastique, se traduisant par des fêlures pouvant conduire à une chute de l'enceinte.
- Nettoyez uniquement les enceintes avec un chiffon sec. N'exposez pas l'enceinte à du savon, des détergents, des huiles minérales, de l'alcool ou d'autres agents nettoyants ou chimiques.

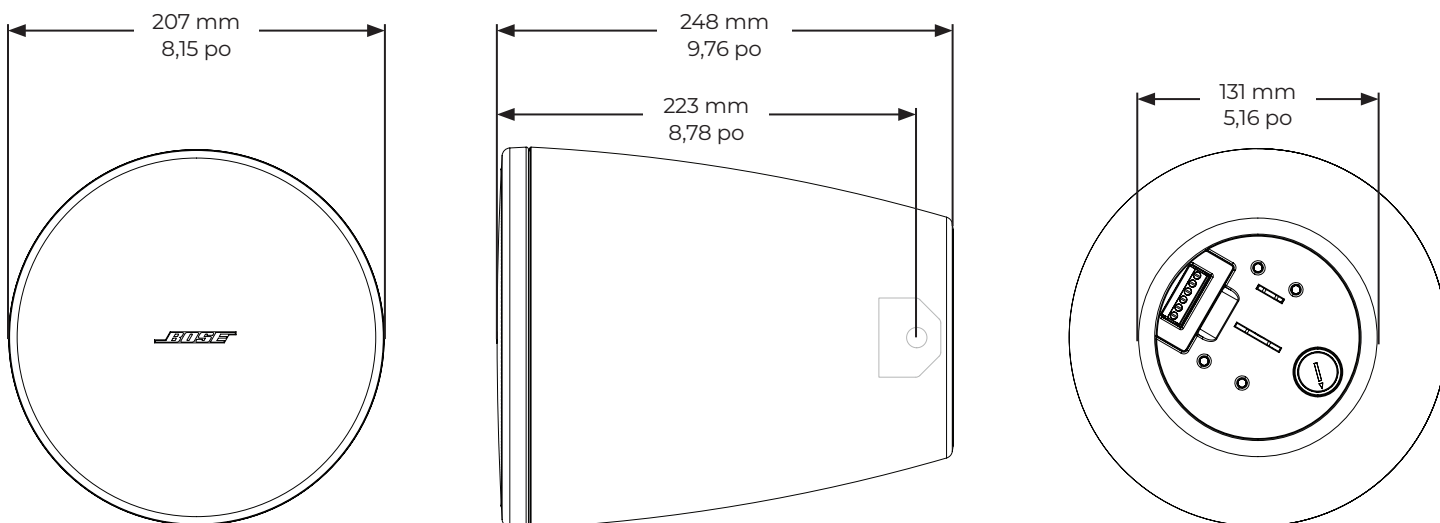
### Avertissements spécifiques aux câbles :

- Les câbles ne sont pas destinés à être installés ou utilisés dans des installations humides en intérieur (par exemple piscine intérieure, parc aquatique intérieur, baignoire à remous, sauna, hammam, patinoire intérieure, etc.).
- Ne les utilisez pas pour des matériels de levage, tels qu'une grue ou une poulie, ou pour des installations suspendues qui impliquent des mouvements ou un comportement dynamique. Ils sont destinés à la suspension d'enceintes statiques uniquement.
- Ne marchez pas sur les câbles et ne vous tenez pas debout dessus.
- N'appliquez pas de peinture sur le serre-câble ou toute autre partie de l'ensemble de câbles.
- Si vous utilisez un système de câbles non fourni par Bose Professional, la limite de charge doit être égale ou supérieure à celle du système de câbles fourni. Consultez les **Caractéristiques techniques** pour la charge de sécurité.
- N'appliquez ni huile ni autre lubrifiant sur le serre-câble ou sur toute autre partie de l'ensemble de câbles.
- Ne joignez jamais deux câbles. N'utilisez qu'un seul ensemble de câbles par point de fixation de l'enceinte.
- N'utilisez le câble de suspension pour version suspendue que pour les enceintes Bose Professional suspendues.

## Contenu de l'emballage



## Dimensions du produit



## Caractéristiques techniques

Vous trouverez des caractéristiques supplémentaires dans la fiche technique des enceintes DesignMax DM3P sur [BoseProfessional.com](http://BoseProfessional.com).

Caractéristiques physiques	
<b>Dimensions du produit</b>	Diamètre du dessous : 207 mm (8,15 po)
	Hauteur : 248 mm (9,76 po)
	Diamètre du dessus : 131 mm (5,16 po)
<b>Dimensions du câble</b>	Longueur : 4,57 m (15 pieds)
	Diamètre : 2 mm (0,08 po)
<b>Charge maximale (charge de sécurité)<sup>1</sup></b>	45,36 kg (100,0 lb)
<b>Poids net, enceinte (seule)</b>	2,51 kg (5,53 lb)
<b>Poids brut (paire d'enceintes)</b>	7,00 kg (15,43 lb)
<b>Plage de températures d'utilisation</b>	0 °C à 50 °C (32 °F à 122 °F)
<b>Coloris</b>	Noir (similaire à RAL 9005); Blanc (similaire à RAL 9003)
<b>Prêt à peindre</b>	Choisissez une peinture spécialement conçue pour une utilisation sur du plastique polypropylène (PP).
<b>Extérieur</b>	Utilisation en intérieur uniquement

1. Utilisez toujours le câble dans la limite de la charge de sécurité indiquée. Pour le câble de suspension inclus, la charge de sécurité est de 45 kg (100 livres).

## Informations importantes concernant l'installation



Avant d'installer l'enceinte, veuillez consulter les **Consignes de sécurité importantes** sur la page 10.

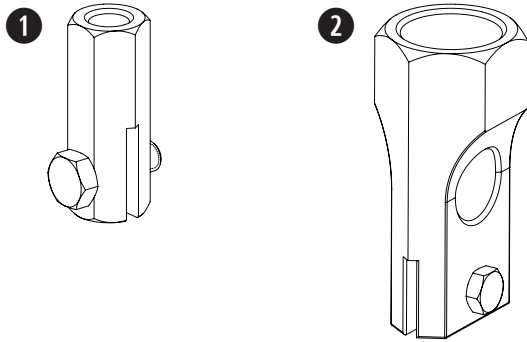
## Conformité aux réglementations et aux normes de sécurité en vigueur

L'enceinte DesignMax DM3P a été soumise avec succès à une phase complète de tests et elle est conforme aux spécifications et utilisations suivantes :

- Conformes à la norme ANSI/UL 1480A-2016, Enceintes destinées à un usage professionnel (sécurité) et commercial
- Utilisation générale, catégorie UL UEAY, dossier S36835
- Convient à une installation suivant les méthodes de câblage de classe 1, 2 ou 3 selon la norme NFPA 70, National Electrical Code, 2017, Article 640

## Accessoires d'installation facultatifs

- ❶ Adaptateur pour tige filetée
- ❷ Adaptateur de conduit suspendu



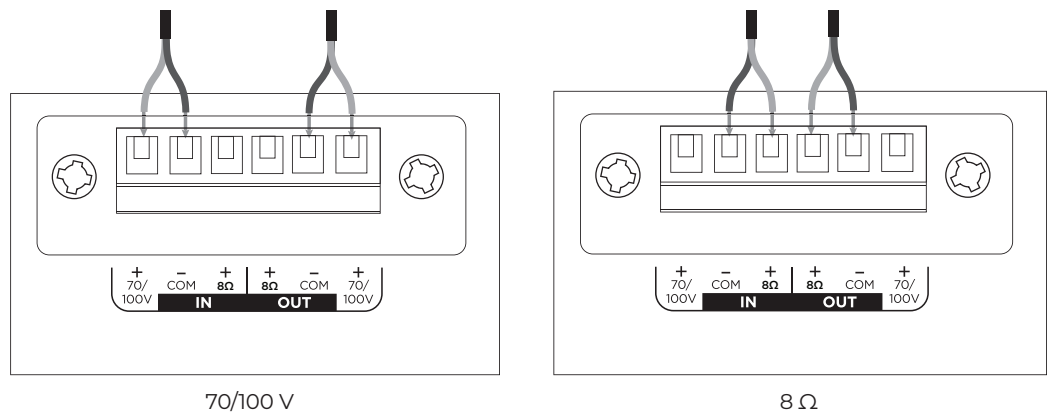
## Câblage de l'enceinte

### Épaisseur des câbles

L'enceinte DesignMax DM3P est conçue pour fonctionner avec des câbles de taille 18 (0,8 mm<sup>2</sup>) à 14 AWG (2,1 mm<sup>2</sup>) uniquement.

### Diagrammes de connexion

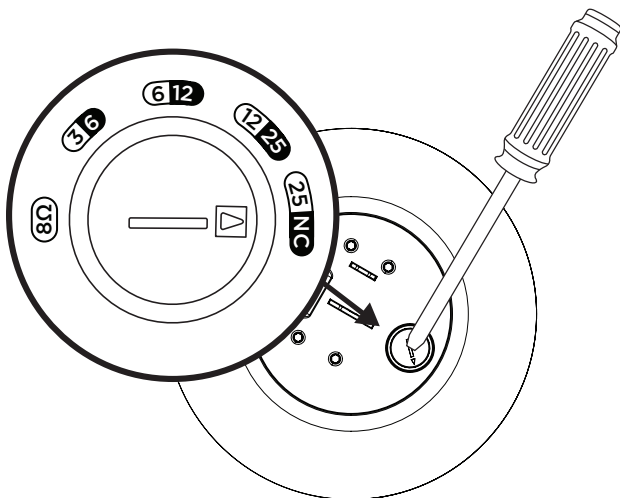
Exposez six millimètres (¼ po) de fil dénudé à relier aux bornes.



70/100 V

8 Ω

## Réglages de l'enceinte



70 V				
3 W	6 W	12 W	25 W*	8 Ω
6 W	12 W	25 W	NC**	
100 V				

\* Réglage d'usine par défaut

\*\* NC : pas de connexion (ne pas utiliser)

### Réglage de la prise du transformateur

Réglez la prise en la tournant. Utilisez un tournevis à tête plate.

## Préparation de l'installation

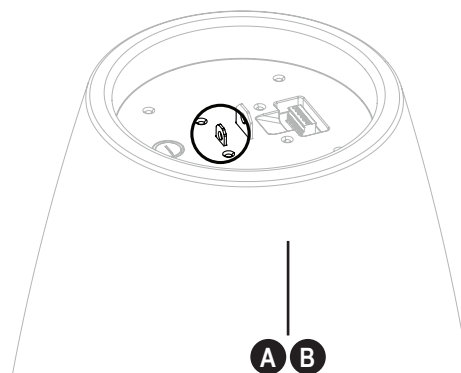
### Utilisation d'un câble de sécurité

Le code de l'urbanisme de certaines régions impose l'utilisation d'une méthode secondaire de fixation des enceintes aux structures porteuses pour apporter une sécurité supplémentaire. Pour le montage, choisissez une position, une méthode et des accessoires compatibles avec le code de l'urbanisme local.

Bose Professional recommande l'utilisation (A) d'un fil de sécurité ou (B) d'un câble de sécurité constituant un mécanisme de sécurisation secondaire (non fourni). Reportez-vous au schéma ci-contre à droite pour prendre connaissance des points de fixation de sécurité.

Le câble de suspension inclus peut être utilisé en tant que câble de sécurité lorsque vous utilisez les accessoires de l'adaptateur pour tige filetée ou de l'adaptateur de conduit suspendu.

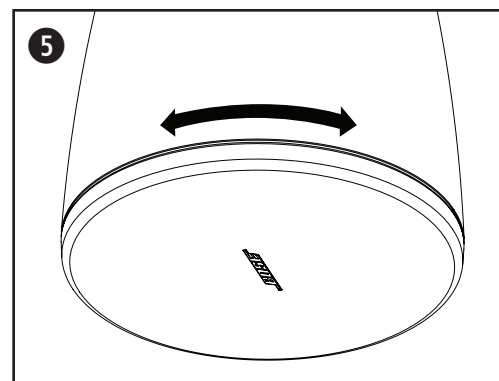
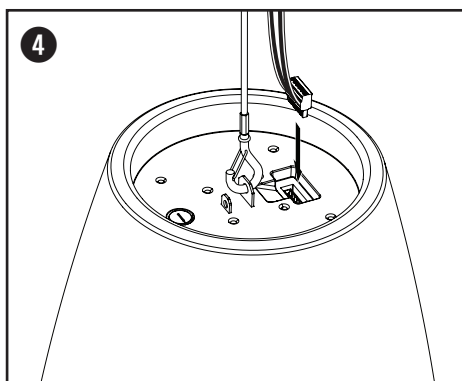
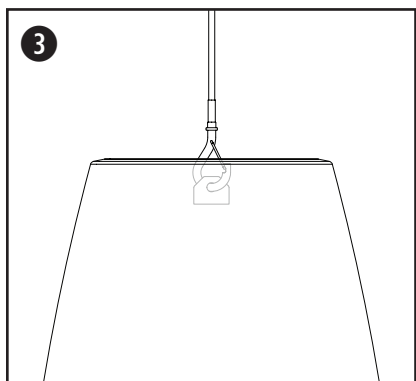
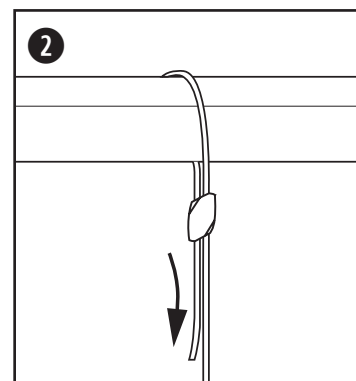
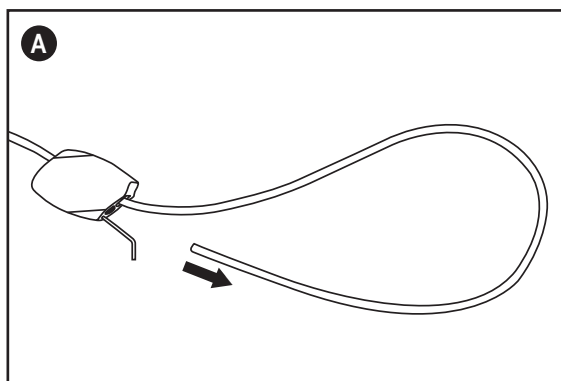
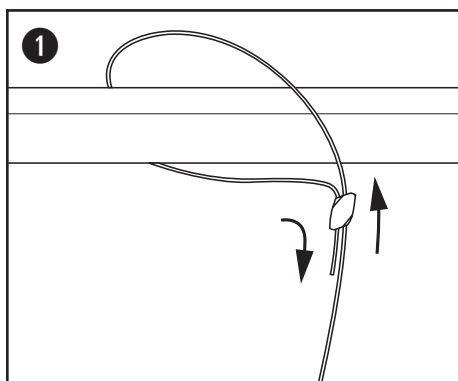
Suivez les instructions du fabricant pour toute mise en œuvre d'un dispositif de sécurité secondaire.



### Montage de l'enceinte

Avant de commencer l'installation, veillez à ajuster le réglage de la puissance de votre enceinte.

1. Insérez le câble de suspension fourni dans le serre-câble et enroulez le câble autour d'une structure de support ; fixez le câble à l'aide du serre-câble. **Remarque :** des flèches indiquent la direction des câbles sur le serre-câble.  
A. Pour desserrer le câble, insérez l'outil de fixation dans l'orifice de dégagement et ajustez le câble.
  2. Tirez sur l'extrémité libre du câble de suspension pour régler le câble à la hauteur souhaitée.
  3. Fixez la pince du câble au point de fixation central. Une fois que vous avez atteint la hauteur d'enceinte souhaitée, coupez la longueur de câble superflue.  
**Remarque :** coupez les filaments effilochés avec des coupe-fils après avoir taillé les câbles à la longueur voulue.
  4. Retirez le connecteur, raccordez le connecteur, puis insérez à nouveau le connecteur dans l'enceinte. Consultez la section **Câblage de l'enceinte** à la page 12 pour plus d'informations sur le câblage.  
**Remarque :** si vous avez l'intention d'utiliser une boucle de service, elle peut être stockée dans le boîtier pour enceinte situé sur le dessus de l'enceinte.
- Utilisez les attaches de câble fournies pour fixer le câblage au câble de suspension.
5. Tournez la grille pour que l'orientation du logo soit adaptée à votre installation.  
**Remarque :** ne retirez pas la grille à moins de la peindre. Il est possible de retirer le logo de la grille en le décollant de la surface de la grille.



## Bitte lesen Sie alle Sicherheitshinweise und Gebrauchsanleitungen durch und bewahren Sie sie auf.

**Dieses Produkt darf nur von fachkundigen Monteuren installiert werden!** Dieses Dokument soll fachkundigen Monteuren grundlegende Installations- und Sicherheitsrichtlinien für dieses Produkt in typischen Festinstallationen bieten. Bitte lesen Sie dieses Dokument und alle Sicherheitshinweise vor der Installation durch.

Versuchen Sie nicht, dieses Produkt selbst zu warten. Lassen Sie jegliche Reparatur- und Wartungsarbeiten nur von autorisierten Servicepartnern, Monteuren, Technikern, Händlern oder Distributoren durchführen. Die Bose Professional Kontaktdaten für Ihr Land finden Sie auf [BoseProfessional.com](http://BoseProfessional.com).

1. Lesen Sie die folgenden Anweisungen.
2. Bewahren Sie die Anweisungen auf.
3. Beachten Sie alle Warn- und Sicherheitshinweise.
4. Befolgen Sie alle Anweisungen.
5. Verwenden Sie dieses Gerät nicht in der Nähe von Wasser.
6. Reinigen Sie das Gerät nur mit einem sauberen, trockenen Tuch.
7. Achten Sie darauf, dass die Lüftungsöffnungen nicht blockiert sind. Stellen Sie das Gerät nur in Übereinstimmung mit den Herstelleranweisungen auf.
8. Stellen Sie das Gerät nicht in der Nähe von Wärmequellen auf, wie zum Beispiel Heizkörpern, Wärmespeichern, Öfen oder anderen Geräten (auch Verstärkern), die Wärme erzeugen.
9. Verwenden Sie nur Zubehör-/Anbauteile, die vom Hersteller zugelassen sind.

## Leistungsdaten:

Eingangsspannung: 70 V/100 V

Impedanz: 8 Ω, 25 W

Nennleistung: (70 V): 3 W, 6 W, 12 W, 25 W; (100 V): 6 W, 12 W, 25 W

## Gesetzliche Hinweise



Dieses Produkt entspricht allen Anforderungen der geltenden EU-Richtlinien. Die vollständige Konformitätserklärung ist einsehbar unter: [www.Bose.com/compliance](http://www.Bose.com/compliance).



Dieses Produkt erfüllt alle geltenden Vorschriften zur elektromagnetischen Verträglichkeit 2016 und alle anderen zutreffenden UK-Richtlinien. Die vollständige Konformitätserklärung ist einsehbar unter [www.Bose.com/compliance](http://www.Bose.com/compliance)



Dieses Symbol bedeutet, dass das Produkt nicht mit dem Hausmüll entsorgt werden darf, sondern bei einer geeigneten Sammelstelle für das Recycling abgegeben werden muss. Die ordnungsgemäße Entsorgung und das Recycling tragen dazu bei, die natürlichen Ressourcen, die Gesundheit und die Umwelt zu schützen. Weitere Informationen zur Entsorgung und zum Recycling dieses Produkts erhalten Sie von Ihrer zuständigen Kommune, Ihrem Entsorgungsdienst oder dem Geschäft, in dem Sie dieses Produkt gekauft haben.

**Herstellungsdatum:** Die achte Ziffer in der Seriennummer gibt das Herstellungsjahr an: „7“ ist 2007 oder 2017.

**Importeur aus der EU:** Transom Post Netherlands B.V., Keizersgracht 391A, 1016 EJ, Amsterdam | **Importeur aus Großbritannien:** Transom Post Netherlands UK, Squires House 205a High Street, West Wickham, BR4 0PH | **Importeur aus Japan:** Transom Post International Japan KK Co., Ltd. PMO Tamachi IV Shiba5-29-19, Minato-ku, Tokio | **Importeur aus Australien:** Transom Post Australia Pty. Ltd., Level 14, 60 Margaret Street, Sydney, NSW 2000 | **Importeur aus China:** Transom Post (Shanghai) Audio Co. Ltd Room 2209, Building 1, 175 Longyao Road, Xuhui District, Shanghai | **Importeur aus Mexiko:** POST INTL MEXICO, S. DE R.L. DE C.V. Insurgentes Sur No. 1079, 1st Floor, Colonia Noche Buena, Benito Juárez, C.P. 03270, Mexiko-Stadt | **Importeur aus den VAE:** 102 A, Sama Tower Sheikh Zayed Road, Dubai, VAE

Bose ist eine Marke der Bose Corporation.

DesignMax ist eine Marke der Transom Post OpCo LLC.

Bose Professional, 117 South St, Hopkinton, MA 01748 USA

©2024 Transom Post OpCo LLC. Dieses Dokument darf ohne vorherige schriftliche Genehmigung weder ganz noch teilweise reproduziert, verändert, vertrieben oder in anderer Weise verwendet werden.

## Garantiehinweise

Für dieses Produkt gilt eine eingeschränkte Garantie.  
Informationen zur Garantie finden Sie unter [BoseProfessional.com/Warranty](http://BoseProfessional.com/Warranty).



## WARNHINWEISE



Dieses Produkt enthält magnetische Materialien. Wenden Sie sich an Ihren Arzt, wenn Sie wissen möchten, ob dies den Betrieb Ihres implantierten medizinischen Geräts beeinflussen kann.



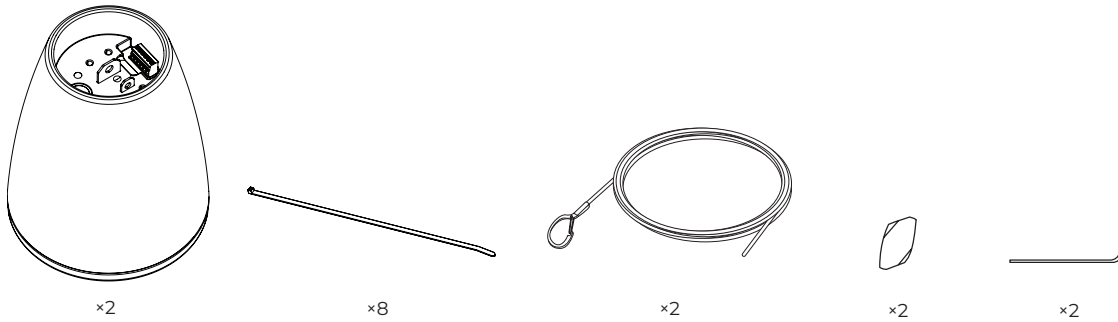
Enthält kleine Teile, die verschluckt werden können und eine Erstickengefahr darstellen. Nicht geeignet für Kinder unter drei Jahren.

- Dieses Produkt ist nur für den Gebrauch im Innenbereich bestimmt.
- Alle Produkte von Bose Professional müssen gemäß den örtlichen und staatlichen Vorschriften sowie gemäß allen Branchenbestimmungen installiert werden. Der Monteur ist dafür verantwortlich, sicherzustellen, dass die Installation der Lautsprecher und der Halterung gemäß allen geltenden Vorschriften durchgeführt wird, einschließlich örtlicher Bauvorschriften und -bestimmungen. Wenden Sie sich vor der Installation dieses Produkts an die zuständige abnehmende Behörde.
- Eine nicht ausreichend sichere Montage schwerer Lasten oder deren Aufhängung über Kopf kann zu schweren oder tödlichen Verletzungen und Sachschäden führen. Der Monteur ist dafür verantwortlich, die Zuverlässigkeit der für die Anwendung verwendeten Befestigungstechniken zu prüfen. Nur fachkundige Monteure mit Kenntnissen über sachgemäße Befestigungselemente und sichere Befestigungstechniken sollten Lautsprecher über Kopf installieren.
- Montieren Sie das Produkt nicht an Orten, an denen es starker Feuchtigkeit ausgesetzt ist oder Kondenswasser auftreten kann.
- Schützen Sie dieses Produkt vor tropfenden oder spritzenden Flüssigkeiten und stellen Sie keine mit Flüssigkeiten gefüllten Gefäße auf das Produkt oder in die Nähe des Produkts.
- Bei der Montage ist auf eine tragfähige Oberfläche zu achten, in deren Nähe sich keine Einrichtungen wie strom- oder wasserführende Leitungen befinden. Stellen Sie sicher, dass die Halterung von einem fachkundigen Monteur und gemäß den örtlichen Bauvorschriften montiert wird.
- Verwenden Sie für die Montage ausschließlich die im Lieferumfang enthaltenen oder von Bose Professional für die Verwendung mit den DesignMax DM3P Lautsprechern zugelassene Hardware und entsprechende Zubehörteile. Informationen zu kompatiblen Zubehörteilen finden Sie in den technischen Datenblättern auf [BoseProfessional.com](http://BoseProfessional.com).
- Halten Sie das Produkt von Feuer und Wärmequellen fern. Stellen Sie keine brennenden Körper oder ähnliches auf das Gerät oder in die Nähe des Geräts.
- Nehmen Sie keine nicht genehmigten Änderungen an diesem Produkt vor.
- Stellen Sie sicher, dass der Lautsprecher und die Montagekomponenten nicht mit chemischen Substanzen in Berührung kommen, die nicht von Bose Professional zugelassen sind. Dies umfasst unter anderem Schmiermittel, Reinigungsmittel, Kontaktspray oder Lösungsmittel auf Kohlenwasserstoffbasis. Der Kontakt mit solchen Mitteln kann zu Rissen im Kunststoffmaterial und infolgedessen zum Herunterfallen führen.
- Die Lautsprecher nur mit einem weichen, trockenen Tuch reinigen. Verwenden Sie zur Reinigung niemals Seife, Spülmittel, Mineralöl, Alkohol oder sonstige Reinigungsmittel oder Chemikalien.

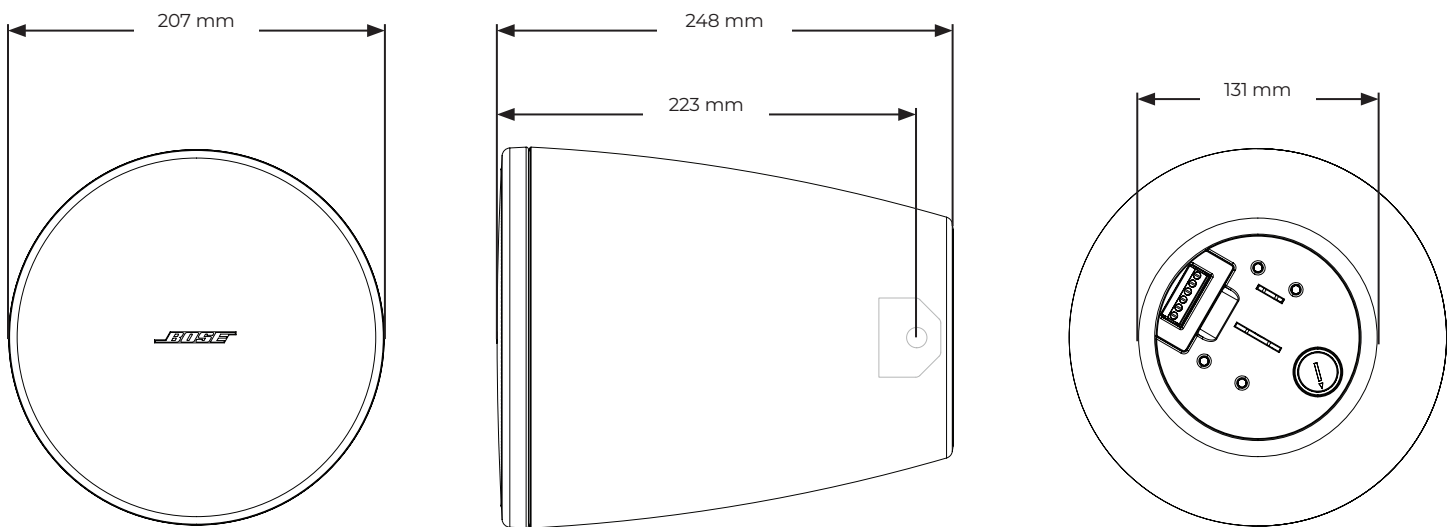
## Warnhinweise zum Sicherungsseil:

- Das Sicherungsseil ist nicht für die Installation oder Verwendung in Feuchtbereichen (zum Beispiel Schwimmbädern, Wasserparks, Räume mit Whirlpools, Saunas, Dampfbäder und Eislaufbahnen) gedacht.
- Es darf nicht zum Tragen von Lasten, wie z. B. bei einem Kran oder Flaschenzug, oder zum Aufhängen von Systemen verwendet werden, die sich in Bewegung befinden oder ein dynamisches Verhalten aufweisen. Es ist nur zur Montage von statischen Lautsprechern vorgesehen.
- Nicht auf montierten Seilen gehen oder stehen.
- Das Sicherungselement oder andere Teile des Sicherungsseils dürfen nicht lackiert werden.
- Wenn Sie ein Sicherungsseil verwenden, das nicht von Bose Professional bereitgestellt wurde, muss die maximale Nutzlast gleich oder größer als beim mitgelieferten Seilsystem sein. Siehe **Technische Spezifikationen** für eine sichere Arbeitslast.
- Es dürfen keine Öle oder anderen Schmiermittel auf dem Sicherungselement oder anderen Teilen des Sicherungsseils aufgetragen werden.
- Niemals zwei Seile miteinander verbinden. Es darf nur ein Sicherungsseil pro Lautsprecher-Montagepunkt verwendet werden.
- Bei Bose Professional Lautsprechern für die abgehängte Montage ist das entsprechende Montagegeseil für die abgehängte Montage zu verwenden.

## Verpackungsinhalt



## Produktabmessungen



## Technische Spezifikationen

Weitere technische Spezifikationen können Sie den technischen Datenblättern für den DesignMax DM3P Lautsprecher auf [BoseProfessional.com](http://BoseProfessional.com) entnehmen.

Material, Abmessungen, Gewicht	
<b>Produktabmessungen</b>	Durchmesser unten: 207 mm
	Höhe: 248 mm
	Durchmesser oben: 131 mm
<b>Kabelabmessungen</b>	Länge: 4,57 m
	Durchmesser: 2 mm
<b>Max. Last (sichere Arbeitslast) <sup>1</sup></b>	45,36 kg
<b>Nettogewicht – Lautsprecher (1 Stück)</b>	2,51 kg
<b>Versandgewicht (2 Stück)</b>	7 kg
<b>Betriebstemperaturbereich</b>	0 °C bis 50 °C (32 °F bis 122 °F)
<b>Farbe</b>	Schwarz (ähnlich RAL 9005), Weiß (ähnlich RAL 9003)
<b>Lackierbar</b>	Wählen Sie eine Lackierung, die speziell für den Gebrauch auf Polypropylen-Plastik (PP) entwickelt wurde.
<b>Einsatzbereich</b>	Nur für den Gebrauch im Innenbereich

1. Verwenden Sie das Seil ausschließlich bis zur angegebenen sicheren Arbeitslast. Die sichere Arbeitslast des im Lieferumfang enthaltenen Montageseils beträgt 45 kg.

## Wichtige Installationshinweise



Bitte lesen Sie vor der Installation des Lautspeichers den Abschnitt **Wichtige Sicherheitshinweise** auf Seite 14.

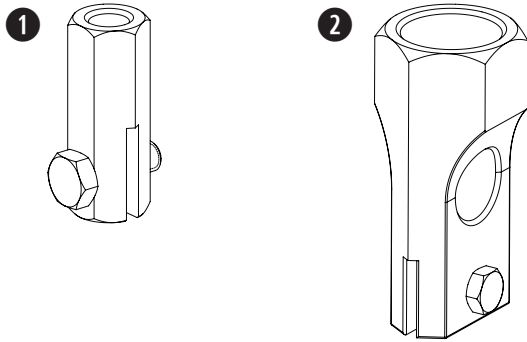
## Sicherheitshinweise und gesetzliche Bestimmungen

Der DesignMax DM3P Lautsprecher hat umfassende Testreihen bestanden und entspricht den folgenden Normen und Einsatzanforderungen:

- Zertifiziert gemäß ANSI/UL 1480A-2016, Speakers for Commercial & Professional Use
- Allgemeine Gebrauchsfähigkeit – UL-Kategorie UEAY, Aktenzeichen S36835
- Geeignet für die Installation mit Class 1, Class 2 und Class 3 Verkabelungsverfahren gemäß NFPA 70, National Electrical Code, 2017, Article 640

## Optionales Montagezubehör

- ❶ Gewindestangenadapter
- ❷ Kabelschutzrohradapter für die abgehängte Montage



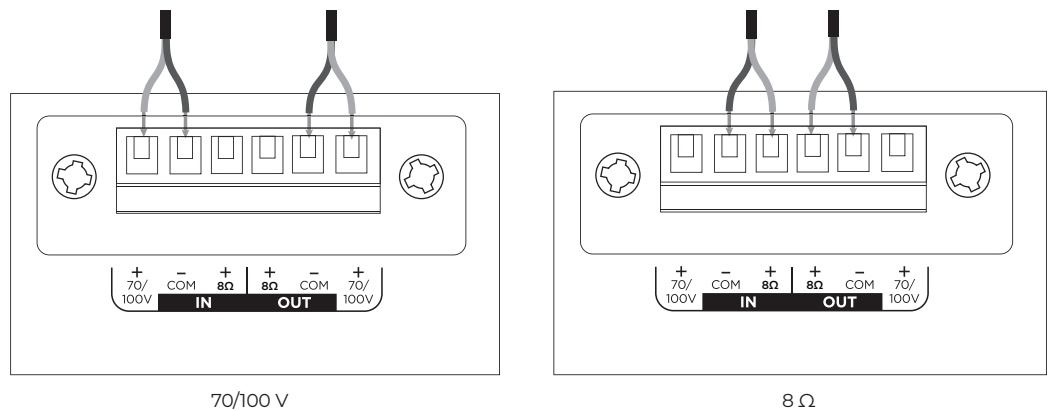
## Verkabeln des Lautsprechers

### Kabeldurchmesser

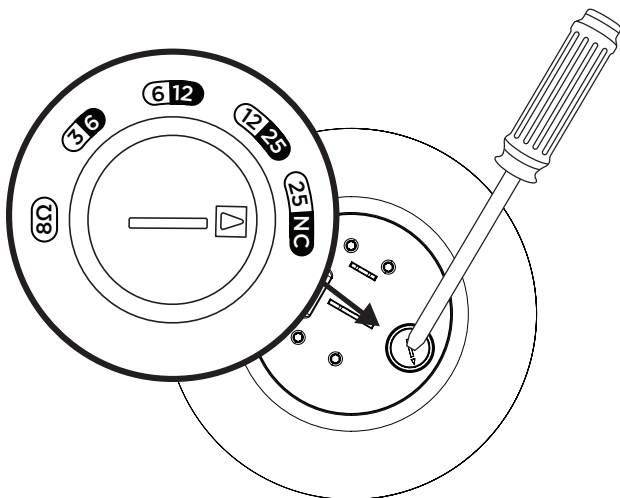
Der DesignMax DM3P Lautsprecher wurde für den ausschließlichen Gebrauch mit Kabeln der Größen 18 AWG (0,8 mm<sup>2</sup>) bis 14 AWG (2,1 mm<sup>2</sup>) entwickelt.

### Anschlussdiagramme

Isolieren Sie einen Teil des Drahtes (6 mm) für den Anschluss an die Anschlüsse ab.



## Lautsprechereinstellungen



70 V				8 Ω
3 W	6 W	12 W	25 W*	
6 W	12 W	25 W	KA**	
100 V				

\* Werkseinstellung

\*\* KA: Kein Anschluss (nicht verwenden)

### Einstellen des Leistungsabgriffes am Übertrager

Stellen Sie die Leistungsabgabe durch Drehen ein. Verwenden Sie dafür einen Schlitzschraubendreher.



## Vorbereitung der Montage

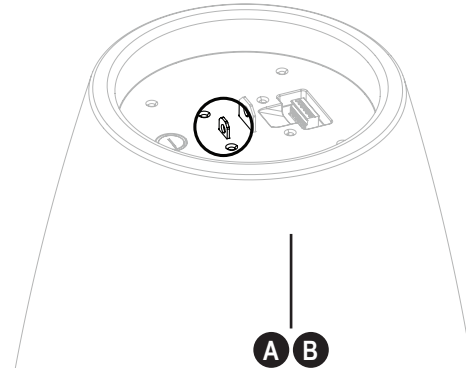
### Verwendung eines Sicherungsseils

Einige Bauvorschriften schreiben als Sicherheitsvorkehrung vor, den Lautsprecher an einer tragenden Konstruktion zusätzlich abzusichern. Wählen Sie eine Montageposition und -methode sowie Werkzeuge, die den örtlichen Bauvorschriften entsprechen.

Bose Professional empfiehlt die Verwendung (A) eines Sicherungsdrahtes oder (B) eines Sicherungsseils zur zusätzlichen Absicherung der Konstruktion (nicht im Lieferumfang enthalten). Befestigungspunkte für Sicherheitsaufhängungen können Sie dem Diagramm auf der rechten Seite entnehmen.

Das mitgelieferte Montageseil kann als Sicherungsseil verwendet werden, wenn der Gewindestangenadapter oder der Kabelschutzrohradapter für die abgehängte Montage dabei verwendet werden.

Befolgen Sie bei der Montage zusätzlicher Sicherheitsmechanismen die Anweisungen des Herstellers.



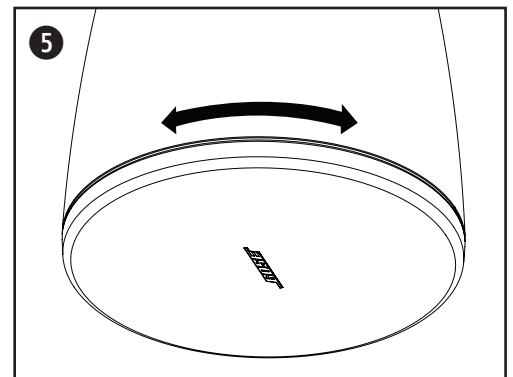
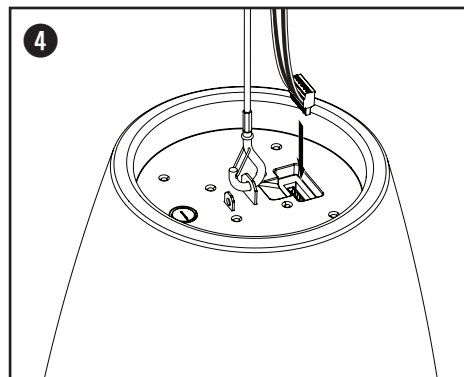
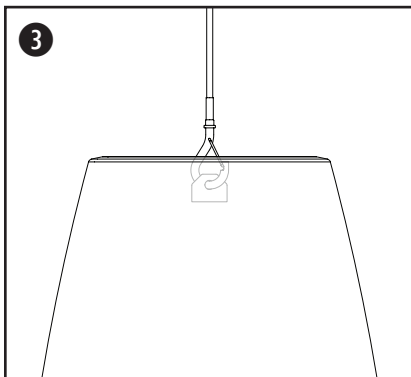
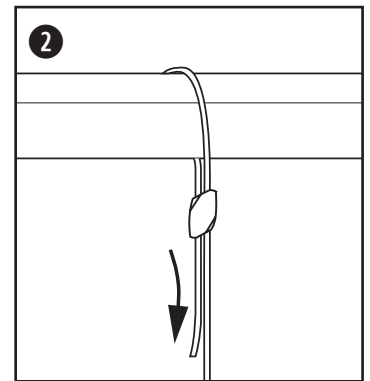
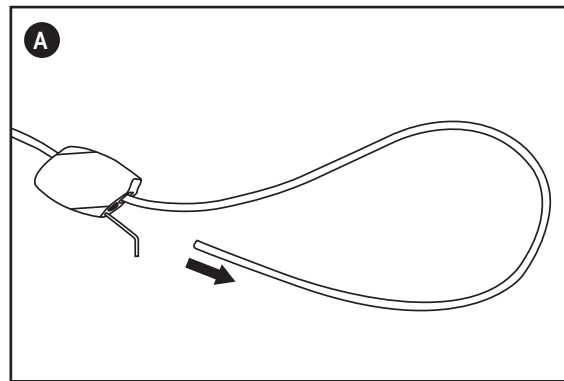
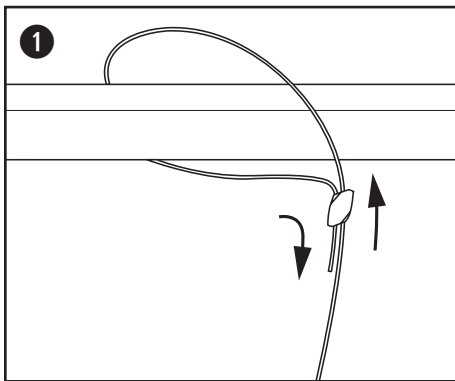
### Befestigung des Lautsprechers

Stellen Sie vor der Installation sicher, dass die Übertragerabgriffe korrekt eingestellt sind.

- Führen Sie das mitgelieferte Montageseil einseitig durch das Sicherungselement und wickeln Sie das Seil um eine tragende Konstruktion. Sichern Sie das Seil mit dem Sicherungselement. **Hinweis:** Pfeile auf dem Sicherungselement zeigen die Seilrichtung an.  
A. Um das Seil zu lösen, führen Sie das Sicherungselementwerkzeug in die Entriegelungsöffnung ein und passen Sie das Seil an.
- Ziehen Sie am losen Ende des Montageseils, um das Seil auf die gewünschte Höhe zu bringen.
- Befestigen Sie die Seilschelle am mittleren Befestigungspunkt. Schneiden Sie anschließend die überschüssige Seillänge ab.  
**Hinweis:** Schneiden Sie ausgefranste Drähte nach dem Anpassen der Länge mit einem Drahtschneider ab.
- Entfernen Sie den Anschlussstecker, verkabeln Sie ihn und setzen Sie ihn wieder in den Lautsprecher ein. Weitere Informationen zur Verkabelung finden Sie unter **Verkabeln des Lautsprechers** auf Seite 16.  
**Hinweis:** Zusätzliches Seil kann in der Mulde am Lautsprecher an der Oberseite des Gehäuses verstaut werden.

Verwenden Sie die mitgelieferten Kabelbinder, um die Verkabelung am Montageseil zu befestigen.

- Drehen Sie das Abdeckgitter, sodass das Logo als Orientierung für Ihre Installation dienen kann.  
**Hinweis:** Das Abdeckgitter darf nur zum Lackieren entfernt werden. Sie können das Logo entfernen, indem Sie es von der Oberfläche des Abdeckgitters abziehen.



## Leggere e conservare tutte le istruzioni per la sicurezza e per l'uso.

Questo prodotto deve essere installato esclusivamente da installatori professionisti. Il presente documento ha lo scopo di fornire agli installatori professionisti le istruzioni di base per l'installazione e la sicurezza di questo prodotto in tipici sistemi da installazione fissa. Prima dell'installazione, leggere questo documento e le avvertenze sulla sicurezza. Non tentare di riparare il prodotto autonomamente. Per tutti gli interventi di assistenza, rivolgersi ai centri assistenza, agli installatori, ai tecnici, ai rivenditori o ai distributori autorizzati. Per contattare Bose Professional o per trovare il rivenditore o distributore più vicino, visitare [BoseProfessional.com](http://BoseProfessional.com).

1. Leggere queste istruzioni.
2. Conservare queste istruzioni.
3. Prestare attenzione a tutte le avvertenze.
4. Seguire tutte le istruzioni.
5. Non utilizzare l'apparecchio in prossimità di acqua.
6. Utilizzare solo un panno asciutto per la pulizia.
7. Non ostruire le aperture di ventilazione. Installare il prodotto in conformità con le istruzioni fornite dal produttore.
8. Non installare in prossimità di fonti di calore, quali termosifoni, radiatori, stufe o altri apparecchi (compresi gli amplificatori) che generino calore.
9. Utilizzare solo sistemi di fissaggio/accessori specificati dal produttore.

## Specifiche di prodotto

Tensione d'ingresso: 70 V/100 V

Impedenza: 8 Ω, 25 W

Potenza: (70 V): 3 W, 6 W, 12 W, 25 W; (100 V): 6 W, 12 W, 25 W

## Informazioni sulle normative



Questo prodotto è conforme a tutti i requisiti pertinenti delle direttive UE. La dichiarazione di conformità completa è disponibile all'indirizzo: [www.Bose.com/compliance](http://www.Bose.com/compliance).



Il presente prodotto è conforme a tutte le normative sulla compatibilità elettromagnetica del 2016 e a tutte le altre normative del Regno Unito applicabili. La dichiarazione di conformità completa è disponibile all'indirizzo: [www.Bose.com/compliance](http://www.Bose.com/compliance)



Questo simbolo indica che il prodotto non deve essere smaltito con i rifiuti domestici, ma deve essere consegnato a una struttura di raccolta appropriata per il riciclaggio. Uno smaltimento e un riciclaggio corretti aiutano a preservare le risorse naturali, la salute e l'ambiente. Per ulteriori informazioni sullo smaltimento e sul riciclaggio di questo prodotto, rivolgersi alle autorità locali, al servizio di smaltimento dei rifiuti o al negozio presso il quale è stato acquistato.

**Data di produzione:** l'ottava cifra del numero di serie corrisponde all'anno di produzione; ad esempio "7" indica 2007 o 2017.

**Importatore per l'UE:** Transom Post Netherlands B.V., Keizersgracht 391A, 1016 EJ, Amsterdam | **Importatore per il Regno Unito:** Transom Post Netherlands UK, Squires House 205a High Street, West Wickham, BR4 0PH | **Importatore per il Giappone:** Transom Post International Japan KK Co., Ltd. PMO Tamachi IV Shiba5-29-19, Minato-ku, Tokyo | **Importatore per l'Australia:** Transom Post Australia Pty. Ltd., Level 14, 60 Margaret Street, Sydney, NSW 2000 | **Importatore per la Cina:** Transom Post (Shanghai) Audio Co. Ltd Room 2209, Building 1, 175 Longyao Road, Xuhui District, Shanghai | **Importatore per il Messico:** POST INTL MEXICO, S. DE R.L. DE C.V. Insurgentes Sur No. 1079, 1st floor, Colonia Noche Buena, Benito Juárez, C.P. 03270, Città del Messico | **Importatore per gli Emirati Arabi Uniti:** 102 A, Sama Tower Sheikh Zayed Road, Dubai, Emirati Arabi Uniti

Bose è un marchio registrato di Bose Corporation.

DesignMax è un marchio registrato di Transom Post OpCo LLC.

Bose Professional, 117 South St, Hopkinton, MA 01748 USA

©2024 Transom Post OpCo LLC. Nessuna parte di questo documento può essere riprodotta, modificata, distribuita o usata in altro modo senza previa autorizzazione scritta.

## Informazioni sulla garanzia

Questo prodotto è coperto da una garanzia limitata.

Per i dettagli sulla garanzia, visitare [BoseProfessional.com/Warranty](http://BoseProfessional.com/Warranty).



## AVVISI/AVVERTENZE



Questo prodotto contiene materiale magnetico. Rivolgersi al proprio medico per eventuali domande sui possibili effetti del prodotto sui dispositivi medici impiantati nel corpo umano.



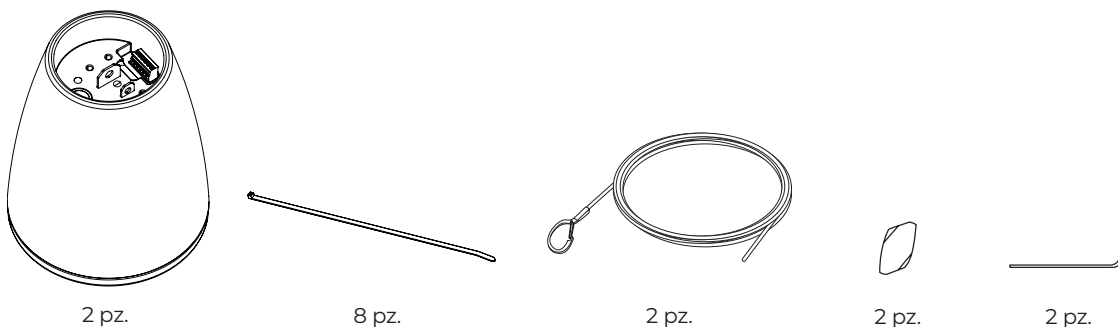
Contiene parti di piccole dimensioni che possono rappresentare un pericolo di soffocamento. Non adatto a bambini di età inferiore a 3 anni.

- Questo prodotto è destinato esclusivamente all'utilizzo in ambienti interni.
- Tutti i prodotti Bose Professional devono essere installati in conformità agli standard locali, statali, federali e di settore. È responsabilità dell'installatore assicurare che l'installazione dei diffusori e del sistema di montaggio venga eseguita in conformità con le normative vigenti, compresi i regolamenti edilizi locali. Prima di installare il prodotto, chiedere informazioni all'autorità locale preposta.
- L'installazione o la sospensione non sicura di carichi pesanti può causare gravi lesioni alle persone e danni materiali. È responsabilità dell'installatore valutare l'affidabilità del metodo di installazione utilizzato per l'applicazione specifica. Solo installatori professionisti esperti possono installare un diffusore in posizione sospesa.
- Non posizionare il prodotto in punti dove possa essere esposto ad acqua o condensa.
- Non esporre il prodotto a gocce o schizzi e non porre oggetti colmi di liquidi sopra o accanto al prodotto.
- Non eseguire il montaggio su superfici instabili o dietro le quali possono celarsi elementi potenzialmente pericolosi, quali cavi elettrici o tubazioni idrauliche. Assicurarsi che la staffa sia installata da un installatore professionista e in conformità alle norme edilizie locali.
- Utilizzare solo componenti e accessori forniti o specificati da Bose Professional per l'uso con i diffusori DesignMax DM3P. Per informazioni sugli accessori compatibili, consultare la scheda tecnica del prodotto all'indirizzo [BoseProfessional.com](http://BoseProfessional.com).
- Tenere il prodotto lontano dal fuoco e da fonti di calore. Non collocare sorgenti di fiamme libere (ad esempio, candele accese) sull'apparecchio o in prossimità di esso.
- Non apportare alterazioni non autorizzate al prodotto.
- Evitare di esporre il diffusore o i suoi componenti di montaggio a sostanze chimiche non specificate da Bose Professional, inclusi a titolo esemplificativo lubrificanti, detersivi, spray per contatti e altri solventi a base di idrocarburi. L'esposizione a tali sostanze può danneggiare i materiali plastici e causare spaccature, con conseguenti rischi di caduta.
- Utilizzare esclusivamente un panno asciutto per pulire i diffusori. Non esporre il diffusore a saponi, detersivi, oli minerali o alcol, né ad altri detersivi o prodotti chimici.

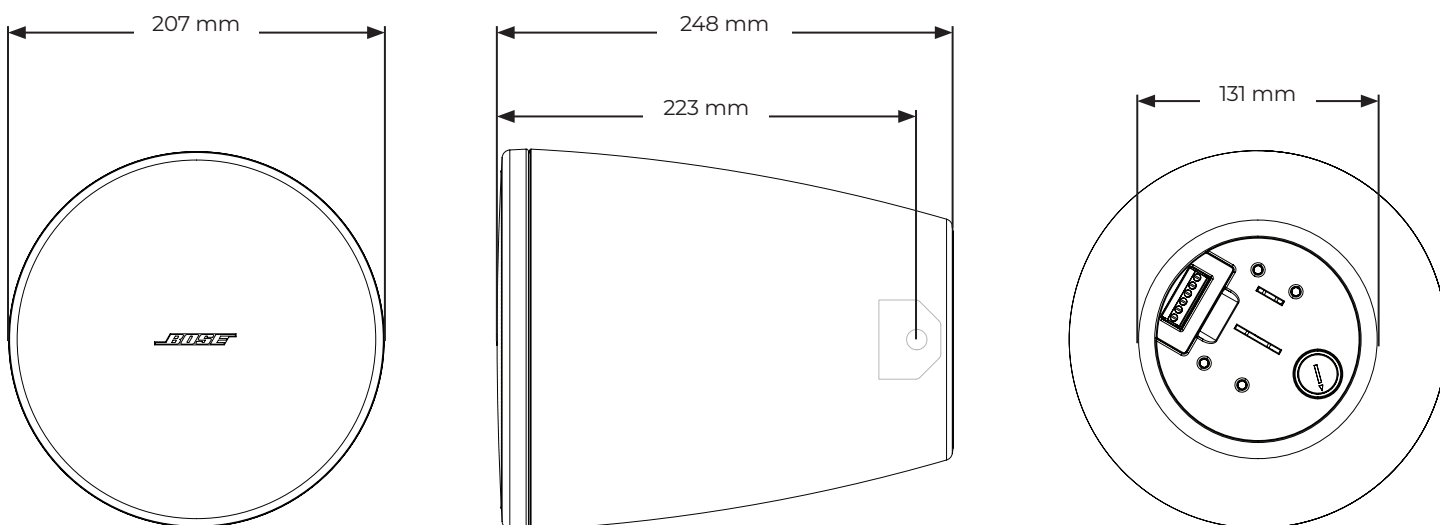
## Avvertenze specifiche per il cavo:

- Il cavo non deve essere installato o utilizzato in aree di servizio o intrattenimento vicine all'acqua (ad esempio piscine coperte, parchi acquatici al chiuso, sale con vasche riscaldate, saune, bagni turchi e piste di pattinaggio al chiuso).
- Non utilizzarlo per il sollevamento, ad esempio come paranco o puleggia, o per appendere installazioni soggette a movimenti o comportamenti dinamici. Indicato per appendere solo diffusori statici.
- Non camminare né sostare sul cavo installato.
- Non verniciare il morsetto fermacavi né qualsiasi altra parte del gruppo dei cavi.
- Se si utilizza un sistema di cavi non fornito da Bose Professional, il carico di lavoro deve essere uguale o superiore a quello del sistema di cavi fornito. Vedere le **Specifiche tecniche** per il carico di lavoro di sicurezza.
- Non applicare olio o qualsiasi altro lubrificante sul morsetto fermacavi o su qualsiasi altra parte del gruppo dei cavi.
- Non unire insieme due cavi. Usare un solo gruppo di cavi per ogni punto in cui viene appeso un diffusore.
- Utilizzare il cavo per sospensione solo per i diffusori Bose Professional a sospensione.

## Contenuto della confezione



## Dimensioni del prodotto



## Specifiche tecniche

Per ulteriori specifiche, consultare la scheda tecnica del diffusore DesignMax DM3P all'indirizzo [BoseProfessional.com](http://BoseProfessional.com).

Caratteristiche fisiche	
<b>Dimensioni del prodotto</b>	Diametro della parte inferiore: 207 mm
	Altezza: 248 mm
	Diametro della parte superiore: 131 mm
<b>Dimensioni dei cavi</b>	Lunghezza: 4,57 m
	Diametro: 2 mm
<b>Carico massimo (carico di lavoro di sicurezza)<sup>1</sup></b>	45,36 kg
<b>Peso netto del diffusore (singolo)</b>	2,51 kg
<b>Peso di spedizione (coppia)</b>	7,00 kg
<b>Temperature d'esercizio</b>	da 0 °C a 50 °C (da 32 °F a 122 °F)
<b>Colore</b>	Nero (simile a RAL 9005); bianco (simile a RAL 9003)
<b>Verniciabile</b>	Scegliere una vernice studiata specificatamente per l'utilizzo su plastica polipropilenica (PP).
<b>Da esterni</b>	Solo per interni

<sup>1</sup> Utilizzare sempre il cavo entro il carico di lavoro di sicurezza dichiarato. Il cavo per sospensione incluso ha un carico di lavoro di sicurezza di 45 kg.

## Informazioni importanti sull'installazione



Prima di installare il diffusore, consultare la sezione **Informazioni importanti sulla sicurezza** a pagina 18.

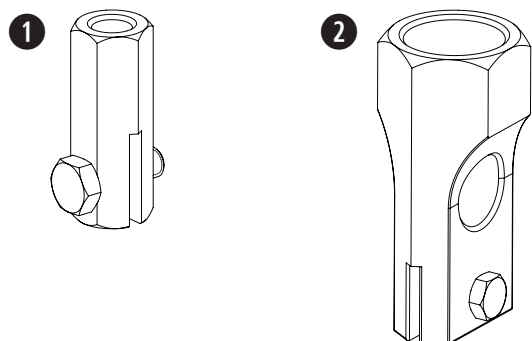
## Conformità alle norme di sicurezza

Il diffusore DesignMax DM3P ha superato i test ai quali è stato sottoposto, risultando conforme alle specifiche e alle applicazioni indicate di seguito:

- Conforme alle specifiche ANSI/UL 1480A-2016, Diffusori per uso professionale e commerciale e di sicurezza
- Utilizzo generico - UL Categoria UEAY, Numero file SS36835
- Adatto per l'installazione mediante metodi di cablaggio Classe 1, Classe 2 o Classe 3 in conformità a NFPA 70, National Electrical Code, 2017, Articolo 640

## Accessori d'installazione opzionali

- ❶ Adattatore per tirante filettato
- ❷ Adattatore per tubo protettivo sospeso



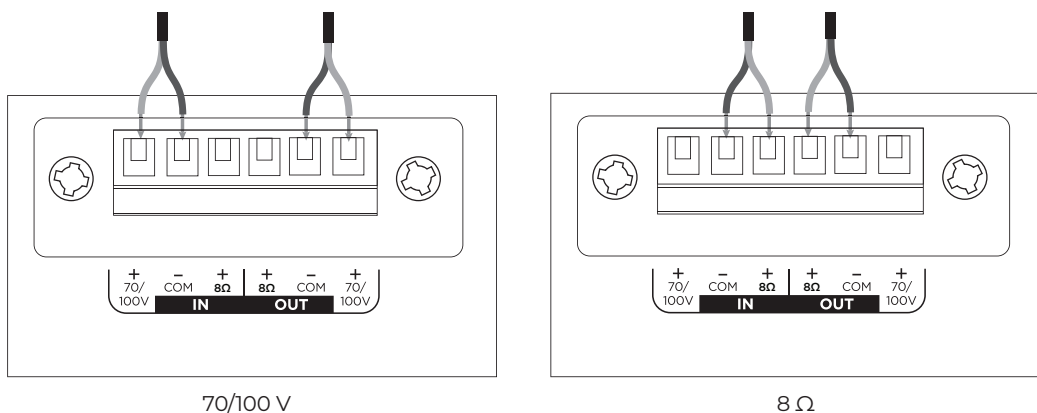
## Cablaggio del diffusore

### Diametro dei cablaggi

Il diffusore DesignMax DM3P è concepito esclusivamente per l'impiego con cavi di dimensioni comprese tra 18 AWG (0,8 mm<sup>2</sup>) e 14 AWG (2,1 mm<sup>2</sup>).

### Schemi di collegamento

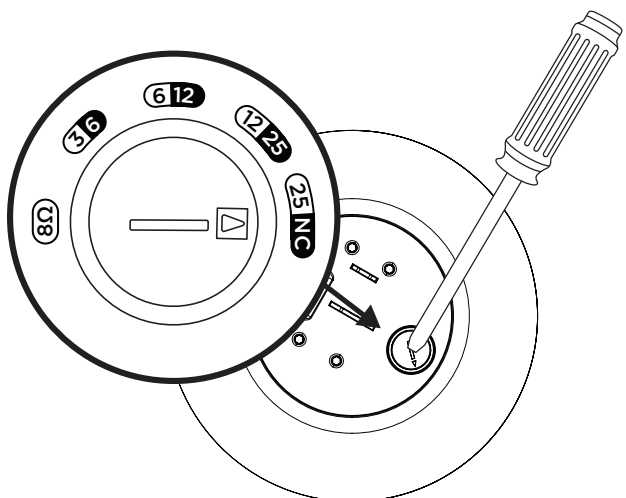
Scoprire 6 mm di filo non rivestito da collegare ai terminali.



70/100 V

8 Ω

## Impostazioni del diffusore



70 V				
3 W	6 W	12 W	25 W*	8 Ω
6 W	12 W	25 W	NC**	
100 V				

\*Impostazioni di fabbrica \*\*NC: nessuna connessione (non utilizzare)

### Impostazione potenza del trasformatore

Selezionare la potenza ruotando il potenziometro tramite un cacciavite a testa piatta.

## Preparazione dell'installazione

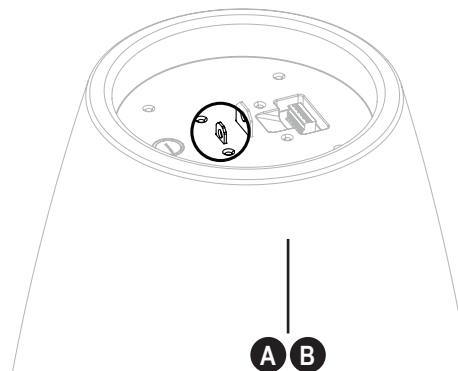
### Uso di un cavo di sicurezza

Alcune normative edilizie regionali richiedono l'impiego di un secondo metodo di fissaggio dei diffusori alle strutture di supporto, allo scopo di garantire una maggior sicurezza. Scegliere posizione, metodo e accessori di fissaggio conformi alle normative edilizie locali.

Bose Professional raccomanda l'utilizzo di (A) un cavo di frenatura o di (B) un cavo di sicurezza come meccanismo di fissaggio secondario (non inclusi). Vedere lo schema riportato a destra per i punti di fissaggio di sicurezza.

Il cavo di sospensione fornito può essere utilizzato come cavo di sicurezza insieme agli accessori Adattatore per tirante filettato o Adattatore per tubo protettivo sospeso.

Attenersi alle istruzioni del produttore per qualsiasi meccanismo di fissaggio secondario utilizzato.



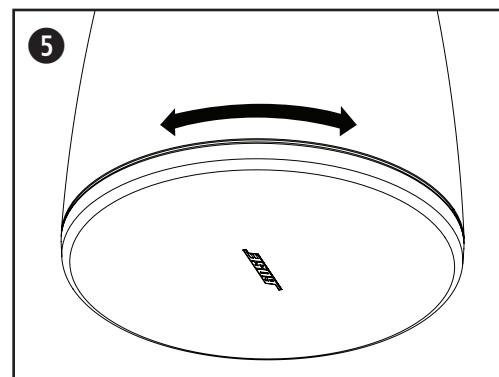
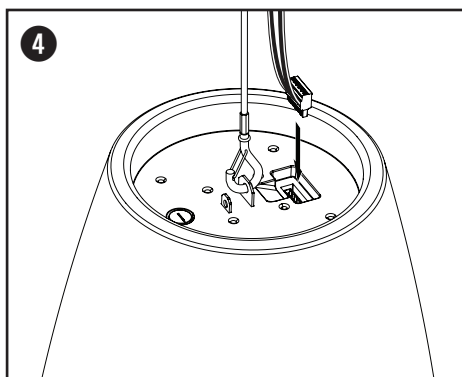
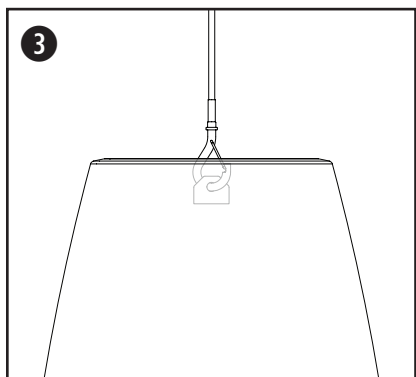
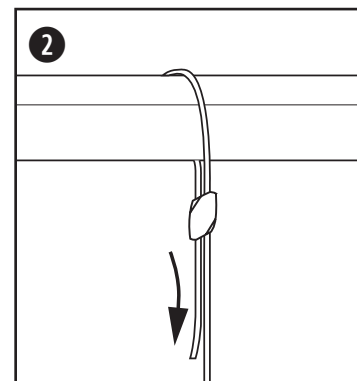
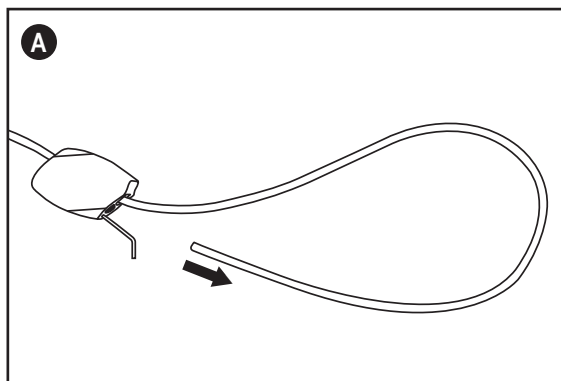
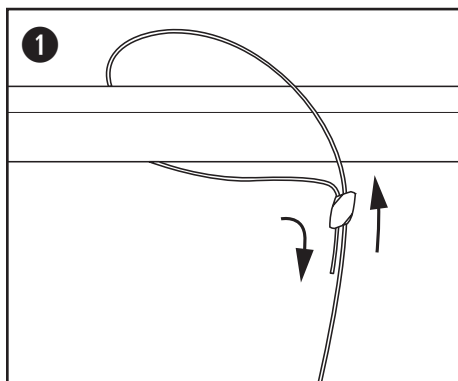
## Installazione del diffusore

Prima di iniziare l'installazione, accertarsi di regolare l'impostazione di tapping del diffusore.

1. Inserire il cavo di sospensione incluso nell'apposito morsetto fermacavi e avvolgerlo intorno a una struttura di supporto; fissare il cavo per mezzo del morsetto fermacavi. **Nota:** le frecce sul morsetto fermacavi indicano la direzione del cavo. A. Per allentare il cavo, inserire l'attrezzo per il morsetto nel foro di rilascio e regolare il cavo.
2. Tirare l'estremità libera del cavo di sospensione per regolare il cavo all'altezza desiderata.
3. Fissare l'apposita clip al punto di attacco centrale. Una volta sistemato il diffusore all'altezza desiderata, tagliare il cavo in eccesso. **Nota:** dopo aver tagliato alla lunghezza giusta, utilizzare un taglierino per rimuovere tutte le parti sfilacciate.
4. Rimuovere il connettore, cablarlo e reinserirlo nel diffusore. Per informazioni sul cablaggio, vedere **Cablaggio del diffusore** a pagina 20. **Nota:** se si intende utilizzare un cavo di lunghezza maggiore, il cavo in eccesso può essere riposto nel vano del diffusore ricavato nella parte superiore dell'involucro.

Utilizzare le fascette fermacavi incluse per fissare il cablaggio al cavo di sospensione.

5. Ruotare la griglia in modo che l'orientamento del logo sia adatto all'installazione. **Nota:** non rimuovere la griglia se non per verniciarla. Il logo può essere rimosso dalla griglia staccandolo dalla superficie della stessa.



**Lees alle veiligheidsinstructies en de gebruiksaanwijzing door en bewaar deze.**

Dit product is uitsluitend bestemd voor installatie door professionele installateurs! Dit document is bedoeld om professionele installateurs essentiële installatie- en veiligheidsrichtlijnen te bieden voor dit product in standaardsystemen voor vaste installatie. Lees dit document en alle veiligheidswaarschuwingen voordat u een systeem probeert te installeren.

Probeer dit product niet zelf te repareren. Neem voor alle onderhoud contact op met een geautoriseerd servicecenter, installateur, technicus, dealer of distributeur. Om contact op te nemen met Bose Professional en voor informatie over de dichtstbijzijnde dealer of distributeur, gaat u naar [BoseProfessional.com](http://BoseProfessional.com).

1. Lees deze instructies door.
2. Bewaar deze instructies.
3. Neem alle waarschuwingen in acht.
4. Volg alle instructies.
5. Gebruik dit product niet in de buurt van water.
6. Alleen met een droge doek schoonmaken.
7. De ventilatieopeningen niet blokkeren. Installeer het product volgens de instructies van de fabrikant.
8. Installeer het product niet in de buurt van warmtebronnen, zoals radiatoren, warmteroosters, kachels of andere apparaten (waaronder versterkers) die warmte produceren.
9. Gebruik uitsluitend aansluitstukken/accessoires die door de fabrikant worden gespecificeerd.

**Productvermogen:**

Ingangsspanning: 70 V/100 V

Impedantie: 8 Ω, 25 W

Stroomsterkte: (70 V): 3 W, 6 W, 12 W, 25 W; (100 V): 6 W, 12 W, 25 W

**Wettelijk verplichte informatie**

Dit product voldoet aan alle vereisten van de van toepassing zijnde EU-richtlijnen. De volledige conformiteitsverklaring kunt u vinden op: [www.Bose.com/compliance](http://www.Bose.com/compliance).



Dit product voldoet aan alle toepasselijke voorschriften in de Electromagnetic Compatibility Regulations 2016 en aan alle overige toepasselijke wet- en regelgeving van het Verenigd Koninkrijk. De volledige conformiteitsverklaring kunt u vinden op: [www.Bose.com/compliance](http://www.Bose.com/compliance)



Dit symbool betekent dat het product niet mag worden weggegooid als huishoudelijk afval en naar een geschikt inzamelpunt voor recycling moet worden gebracht. Het op de juiste wijze afvoeren en recyclen helpt natuurlijke hulpbronnen, de menselijke gezondheid en het milieu te beschermen. Voor meer informatie over het afvoeren en recyclen van dit product neemt u contact op met de gemeente waar u woont, de afvalverwerkingsinstantie of de winkel waar u dit product hebt gekocht.

**Fabricagedatum:** Het achtste cijfer in het serienummer geeft het fabricagejaar aan, '7' is 2007 of 2017.

**Europese importeur:** Transom Post Netherlands B.V., Keizersgracht 391A, 1016 EJ, Amsterdam | **Importeur in het VK:** Transom Post Netherlands UK, Squires House 205a High Street, West Wickham, BR4 0PH | **Importeur in Japan:** Transom Post International Japan KK Co., Ltd. PMO Tamachi IV Shiba5-29-19, Minato-ku, Tokio | **Importeur in Australië:** Transom Post Australia Pty. Ltd., Level 14, 60 Margaret Street, Sydney, NSW 2000 | **Importeur in China:** Transom Post (Shanghai) Audio Co. Ltd Room 2209, Building 1, 175 Longyao Road, Xuhui District, Shanghai | **Importeur in Mexico:** POST INTL MEXICO, S. DE R.L. DE C.V. Insurgentes Sur No. 1079, 1st floor, Colonia Noche Buena, Benito Juárez, C.P. 03270, Mexico-Stad | **Importeur in de VAE:** 102 A, Sama Tower Sheikh Zayed Road, Dubai VAE

Bose is een handelsmerk van Bose Corporation.

DesignMax is een handelsmerk van Transom Post OpCo LLC.

Bose Professional, 117 South St, Hopkinton, MA 01748 USA

©2024 Transom Post OpCo LLC. Niets in deze uitgave mag worden gereproduceerd, gewijzigd, gedistribueerd of op andere wijze worden gebruikt zonder voorafgaande schriftelijke toestemming.

**Garantie-informatie**

Dit product wordt gedekt door een beperkte garantie.

Ga naar [BoseProfessional.com/Warranty](http://BoseProfessional.com/Warranty) voor garantie-informatie.

**WAARSCHUWINGEN**

Dit product bevat magnetisch materiaal. Raadpleeg uw arts om te vragen of dit invloed kan hebben op uw geïmplanteerde medische hulpmiddel.



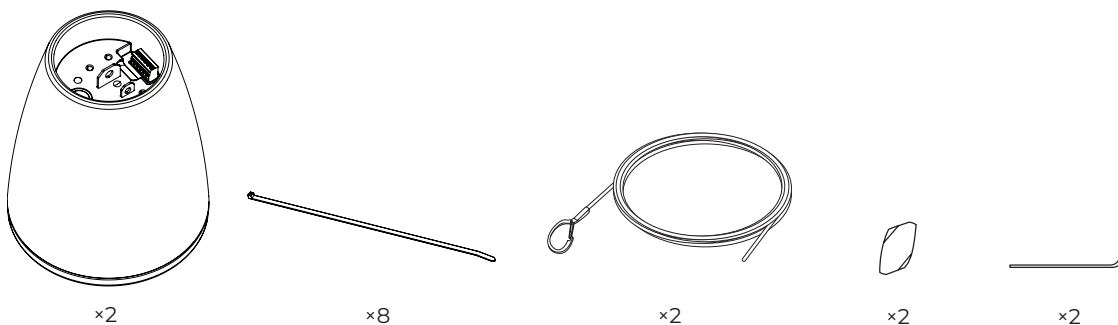
Bevat kleine onderdelen die een verstikkingsgevaar kunnen vormen. Niet geschikt voor kinderen jonger dan 3 jaar.

- Dit product is alleen bestemd voor binnengebruik.
- Alle Bose Professional-producten moeten worden geïnstalleerd volgens de plaatselijke en landelijke voorschriften en industriënormen. Het is de verantwoordelijkheid van de installateur om ervoor te zorgen dat de installatie van de luidsprekers en het montagesysteem gebeurt met inachtneming van alle van toepassing zijnde voorschriften, waaronder plaatselijke bouwvoorschriften. Neem contact op met de juiste plaatselijke overheidsinstanties voordat u dit product installeert.
- Het onveilig monteren of ophangen van een zware last kan leiden tot beschadiging van uw eigendommen, ernstig letsel en overlijden. Het is de verantwoordelijkheid van de installateur om de betrouwbaarheid te evalueren van de gebruikte montagetechniek. Alleen professionele installateurs met kennis van het juiste gereedschap en veilige montagetechnieken mogen luidsprekers hoog ophangen.
- Monteer het product niet op locaties waar het kan worden blootgesteld aan water of condensatie.
- Stel dit product NIET bloot aan druipende of spattende vloeistoffen en plaats geen met vloeistof gevulde voorwerpen op of bij het product.
- Niet bevestigen aan oppervlakken die niet sterk zijn of waarachter risico's verborgen zijn, zoals elektrische bedrading of waterleidingen. De beugel moet door een gekwalificeerde installateur worden geplaatst in overeenstemming met de lokale bouwvoorschriften.
- Gebruik alleen de hardware en accessoires die zijn meegeleverd of gespecificeerd door Bose Professional voor gebruik met de DesignMax DM3P-luidsprekers. Raadpleeg voor informatie over compatibele accessoires het datasheet met technische gegevens op [BoseProfessional.com](http://BoseProfessional.com).
- Houd het product uit de buurt van vuur en warmtebronnen. Plaats geen open vlam, zoals een brandende kaars, op of bij het product.
- Er mogen geen wijzigingen aan dit product worden aangebracht door onbevoegden.
- Stel de luidspreker of de montageonderdelen niet bloot aan chemische substanties die niet zijn gespecificeerd door Bose Professional, met inbegrip van, maar niet beperkt tot smeermiddelen, reinigingsmiddelen, contactsprays of oplosmiddelen op basis van koolwaterstoffen. Blootstelling aan dergelijke stoffen kan nadelige gevolgen hebben voor het kunststof materiaal, wat kan leiden tot scheuren en een risico op vallen.
- Reinig de luidsprekers alleen met een droge doek. Stel de luidspreker niet bloot aan zeep, reinigingsmiddel, minerale olie, alcohol of andere reinigingsmiddelen of chemicaliën.

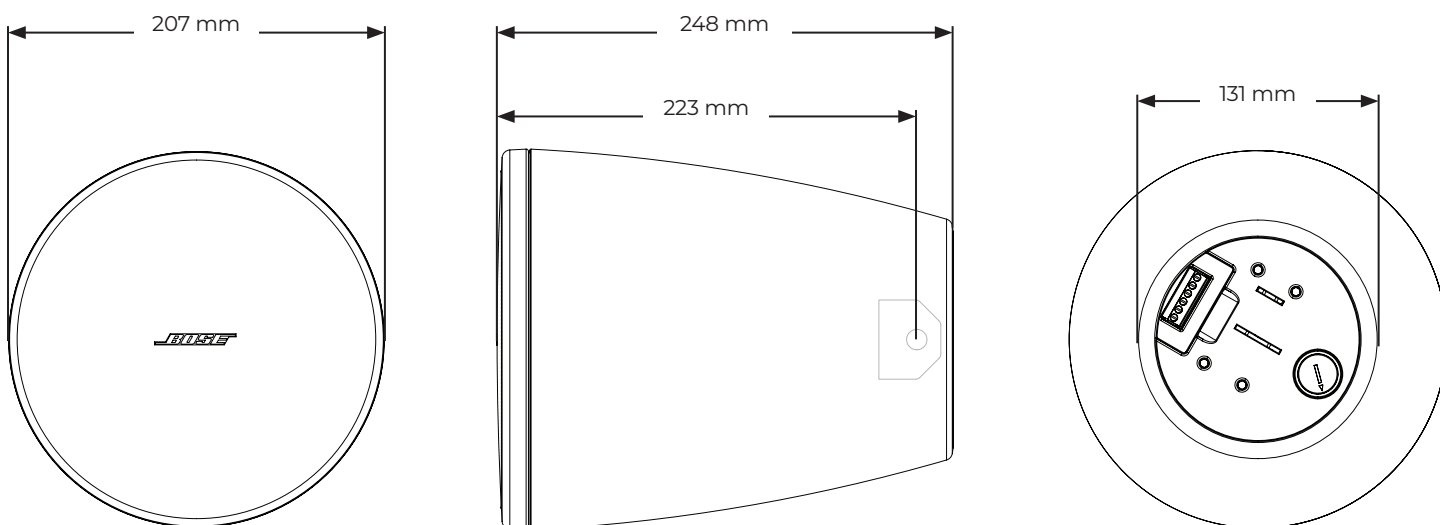
**Waarschuwingen met betrekking tot kabels:**

- De kabel is niet bedoeld voor installatie of gebruik in overdekte ruimten voor wateractiviteiten (waaronder overdekte zwembaden, overdekte waterparken, stoomruimten, sauna's, bubbelbadkamers en overdekte ijsbanen).
- Gebruik de kabel niet om mee te tillen, bijvoorbeeld met een hijsmechanisme of katrol, of voor hangende installaties die kunnen bewegen of anderszins dynamisch zijn. Alleen bedoeld voor hangende, statische luidsprekers.
- Loop of sta niet op de kabel.
- Schilder niet over de kabelklem of een ander deel van de kabel.
- Bij gebruik van een kabelsysteem dat niet door Bose Professional is meegeleverd, moet de maximale werklast gelijk zijn aan of groter zijn dan die van het meegeleverde kabelsysteem. Raadpleeg **Technische specificaties** voor de veilige werklast.
- Gebruik geen olie of andere smeermiddelen op de kabelklem of op enig ander deel van de kabel.
- Verbind nooit twee kabels met elkaar. Gebruik één kabel per ophangpunt.
- Gebruik alleen de kabel voor hangbevestiging die wordt meegeleverd bij Bose Professional pendant-luidsprekers.

## Inhoud van de doos



## Afmetingen van het product



## Technische specificaties

Raadpleeg voor aanvullende specificaties het datasheet met technische gegevens voor de DesignMax DM3P op [BoseProfessional.com](http://BoseProfessional.com).

Fysiek	
<b>Afmetingen van het product</b>	Diameter onderkant: 207 mm
	Hoogte: 248 mm
	Diameter bovenkant: 131 mm
<b>Afmetingen kabel</b>	Lengte: 4,57 m
	Diameter: 2 mm
<b>Maximale last (veilige werklust) <sup>1</sup></b>	45,36 kg
<b>Nettogewicht, luidspreker (enkel)</b>	2,51 kg
<b>Verzendgewicht (paar)</b>	7,00 kg
<b>Temperatuurbereik in bedrijf</b>	0 tot 50 °C (32 tot 122 °F)
<b>Kleur</b>	Zwart (vergelijkbaar met RAL 9005); wit (vergelijkbaar met RAL 9003)
<b>Overschilderbaar</b>	Gebruik verf die speciaal geschikt is voor polypropyleen (PP).
<b>Weerbestendigheid</b>	Alleen voor binnengebruik

1. Gebruik de kabel altijd in overeenstemming met de aangegeven veilige werklust. De meegeleverde ophangkabel heeft een veilige werklust van 45 kg.

## Belangrijke installatie-informatie



Lees voordat u de luidspreker installeert **Belangrijke veiligheidsinstructies** op pagina 22.

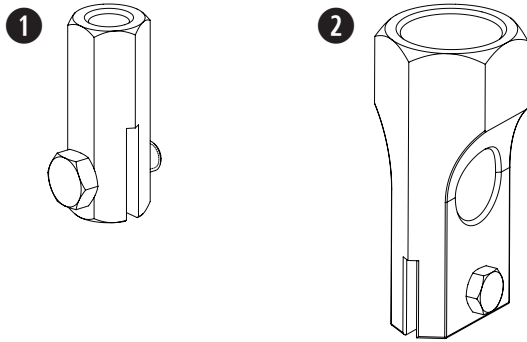
## Veiligheid en naleving van regelgeving

De DesignMax DM3P-luidspreker is getest en voldoet voor onderstaande specificaties en toepassingen:

- ANSI/UL 1480A-2016, Speakers for Commercial & Safety Professional Use
- General-Purpose Use - UL Category UEAY, File Number S36835
- Geschikt voor installatie middels bekabelingsmethoden Klasse 1, Klasse 2 en Klasse 3 volgens NFPA 70, National Electrical Code, 2017, artikel 640

## Optionele installatieaccessoires

- 1 Adapter draadeinde
- 2 Adapter hanggeleider



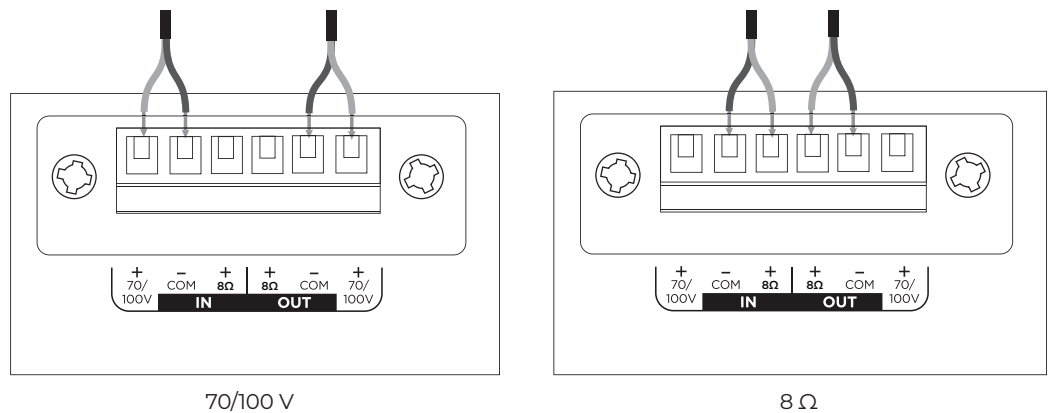
## De luidspreker bekabelen

### Bekabelingsdiameter

De DesignMax DM3P-luidspreker is uitsluitend ontworpen voor bedrading van 18 AWG (0,8 mm<sup>2</sup>) tot 14 AWG (2,1 mm<sup>2</sup>).

### Aansluitdiagrammen

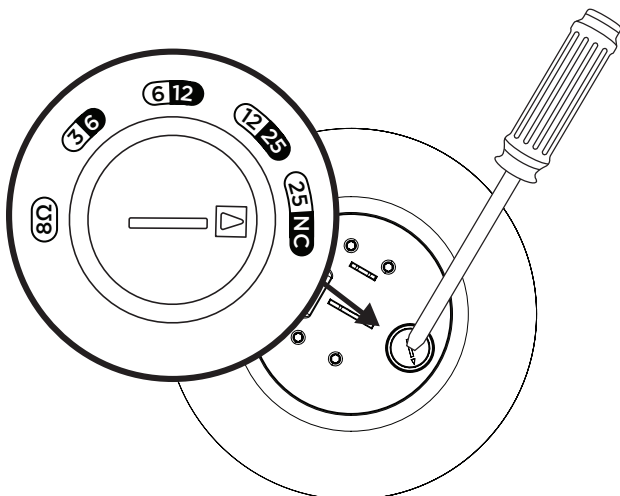
Strip zes millimeter van de kabelisolatie voor bevestiging van de kale kabel aan de aansluitingen.



70/100 V

8 Ω

## Luidsprekerinstellingen



70 V				8 Ω
3 W	6 W	12 W	25 W*	
6 W	12 W	25 W	NC**	
100 V				

\* Fabrieksinstelling

\*\* NC: No Connection (geen aansluiting; niet gebruiken)

### Transformatorinstelling

Draai om de transformator in te stellen. Gebruik een schroevendraaier met platte kop.



## De installatie voorbereiden

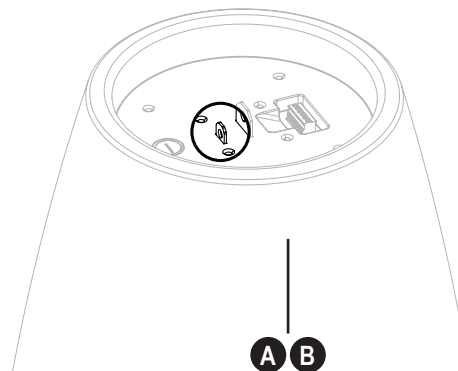
### Een veiligheidskabel gebruiken

In sommige regio's bent u volgens de bouwvoorschriften verplicht luidsprekers dubbel gezekeerd te bevestigen voor extra veiligheid. De gekozen locatie, montagewijze en gebruikte montagemiddelen moeten voldoen aan de geldende bouwvoorschriften en -verordeningen.

Bose Professional raadt aan (A) een veiligheidsdraad of (B) veiligheidskabel te gebruiken als secundaire bevestigingsmethode (niet meegeleverd). Raadpleeg het schema rechts voor bevestigingspunten.

De meegeleverde ophangkabel kan worden gebruikt als veiligheidskabel wanneer de adapter voor het draadeinde of de adapter voor de hanggeleider wordt gebruikt.

Volg de instructies van de fabrikant voor eventueel al ingebouwde secundaire beveiligingsmechanismen.



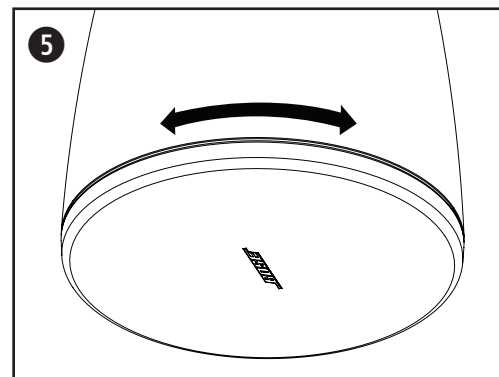
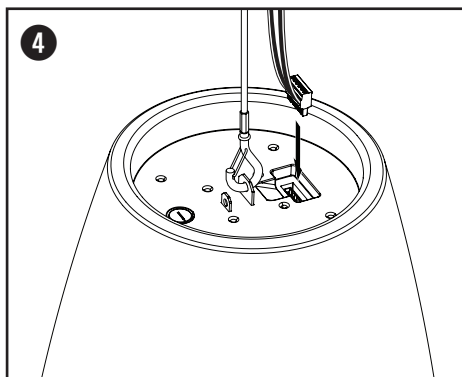
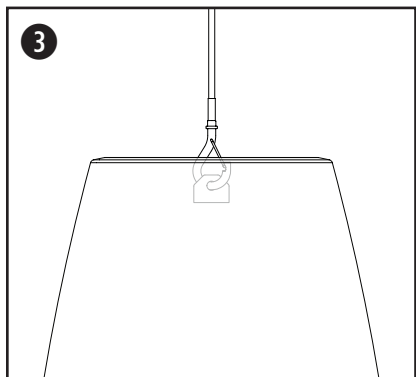
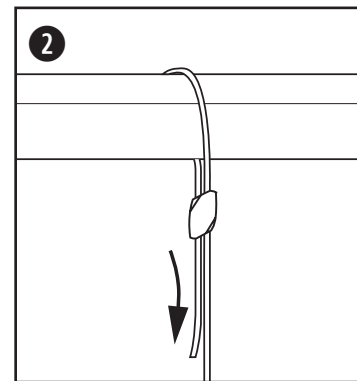
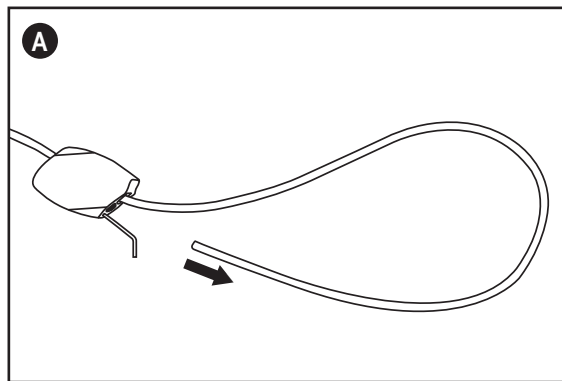
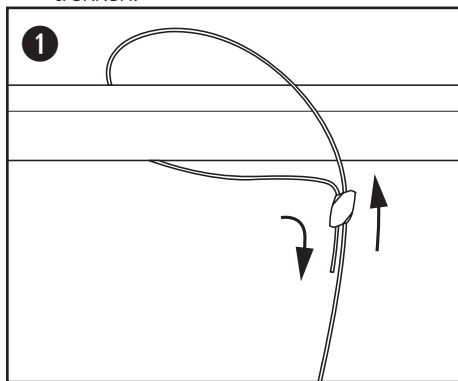
### De luidspreker bevestigen

Zorg er vóór de installatie voor dat de voltage-instelling voor de luidspreker is aangepast.

1. Haal de meegeleverde ophangkabel door de kabelklem en leid de kabel rond een dragende structuur; bevestig de kabel met de klem. **Opmerking:** De pijltjes op de kabelklem geven de richting van de kabel aan.  
A. Om de kabel bij te stellen, steekt u de montagewerkzaamheid in de ontgrendelingsopening om de kabel los te maken.
2. Trek aan het losse uiteinde van de ophangkabel om de gewenste hoogte in te stellen.
3. Bevestig de kabelclip aan het middelste bevestigingspunt. Wanneer de luidspreker op de gewenste hoogte hangt, knipt u het overtollige kabeleinde af.  
**Opmerking:** Verwijder rafelige uiteinden met een kniptang nadat de kabel op lengte is geknipt.
4. Verwijder de connector, sluit de bekabeling aan op de connector en plaats de connector weer terug in de luidspreker. Raadpleeg voor bekabelingsinformatie **De luidspreker bekabelen** op pagina 24.  
**Opmerking:** Als u extra kabellengte wilt gebruiken, kan die in de uitsparing in de bovenkant van de luidsprekerbehuizing worden opgeborgen.

Gebruik de meegeleverde kabelbinders om de luidsprekerbekabeling aan de ophangkabel te bevestigen.

5. Draai de grille om het logo de juiste oriëntatie voor uw installatie te geven.  
**Opmerking:** Verwijder de grille niet tenzij u de luidspreker gaat verven. U kunt het logo verwijderen door dit van de grille los te trekken.



## Les og ta vare på alle sikkerhets- og bruksinstruksjoner.

**Dette produktet skal bare monteres av profesjonelle montører!**  Formålet med dette dokumentet er å gi profesjonelle montører grunnleggende monterings- og sikkerhetsveiledning for dette produktet i typiske fastmonteringsystemer. Les dette dokumentet og alle sikkerhetsadvarsler før du starter monteringen.

Ikke prøv å utføre vedlikehold på dette produktet selv. Henvist alt vedlikehold til autoriserte servicesentre, montører, teknikere, forhandlere eller distributører. Hvis du vil kontakte Bose Professional eller finne en forhandler eller distributør i nærheten, går du til

**BoseProfessional.com.**

1. Les disse instruksjonene.
2. Ta vare på instruksjonene.
3. Følg alle advarslene.
4. Følg alle instruksjoner.
5. Ikke bruk apparatet i eller nær vann.
6. Rengjør bare med en ren klut.
7. Ikke blokker ventilasjonsåpninger. Plasser i henhold til produsentens instruksjoner.
8. Ikke plasser produktet nær varmekilder som radiatorer, ventilasjonsgitter, ovner eller andre apparater (inkludert forsterkere) som produserer varme.
9. Bare bruk fester/tilbehør som er angitt av produsenten.

## Produktklassifisering:

Inngangsspenning: 70/100 V

Impedans: 8 Ω, 25 W

Strøm eller effekt: (70 V): 3 W, 6 W, 12 W, 25 W, (100 V): 6 W, 12 W, 25 W

## Informasjon om forskrifter



Produktet overholder alle kravene i gjeldende EU-direktiver. Du finner den fullstendige samsvarserklæringen på: [www.Bose.com/compliance](http://www.Bose.com/compliance).



Dette produktet er i samsvar med alle gjeldende bestemmelser om elektromagnetisk kompatibilitet for 2016 og alle andre gjeldende bestemmelser i Storbritannia. Den fullstendige samsvarserklæringen finner du på [www.Bose.com/compliance](http://www.Bose.com/compliance)



Dette symbolet betyr at produktet ikke må kasseres som husholdningsavfall, og at det skal leveres inn til et passende gjenvinningsanlegg. Riktig håndtering og gjenvinning bidrar til å beskytte naturressurser, helse og miljø. Mer informasjon om avhending og resirkulering av dette produktet kan fås hos kommunen, renovasjonstjenesten eller butikken der du kjøpte dette produktet.

**Produksjonsdato:** Det åttende tallet i serienummeret viser produksjonsåret: 7 er 2007 eller 2017.

**Importør i EU:** Transom Post Netherlands B.V., Keizersgracht 391A, 1016 EJ, Amsterdam  
**Britisk importør:** Transom Post Netherlands UK, Squires House 205a High Street, West Wickham, BR4 0PH | **Importør for Japan:** Transom Post International Japan KK Co., Ltd. PMO Tamachi IV Shiba5-29-19, Minato-ku, Tokyo | **Australsk importør:** Transom Post Australia Pty. Ltd., Level 14, 60 Margaret Street, Sydney, NSW 2000 | **Importør for Kina:** Transom Post (Shanghai) Audio Co. Ltd Room 2209, Building 1, 175 Longyao Road, Xuhui District, Shanghai | **Importør for Mexico:** POST INTL MEXICO, S. DE R.L. DE C.V. Insurgentes Sur No. 1079, 1st floor, Colonia Noche Buena, Benito Juárez, C.P. 03270, Mexico City | **Importør for De forente arabiske emirater:** 102 A, Sama Tower Sheikh Zayed Road, Dubai UAE

Bose er et varemerke for Bose Corporation.

DesignMax er et varemerke for Transom Post OpCo LLC.

Bose Professional, 117 South St, Hopkinton, MA 01748 USA

©2024 Transom Post OpCo LLC. Ingen del av dette arbeidet kan bli reproduisert, endret, distribuert eller på annen måte brukt uten skriftlig tillatelse på forhånd.

## Garantiinformasjon

Dette produktet er dekket av en begrenset garanti.

Hvis du vil ha informasjon om garanti, går du til [BoseProfessional.com/Warranty](http://BoseProfessional.com/Warranty).



## ADVARSLER/FORHOLDSREGLER



Dette produktet inneholder magnetisk materiale. Kontakt en lege hvis du vil finne ut om dette kan påvirke implantert medisinsk utstyr.



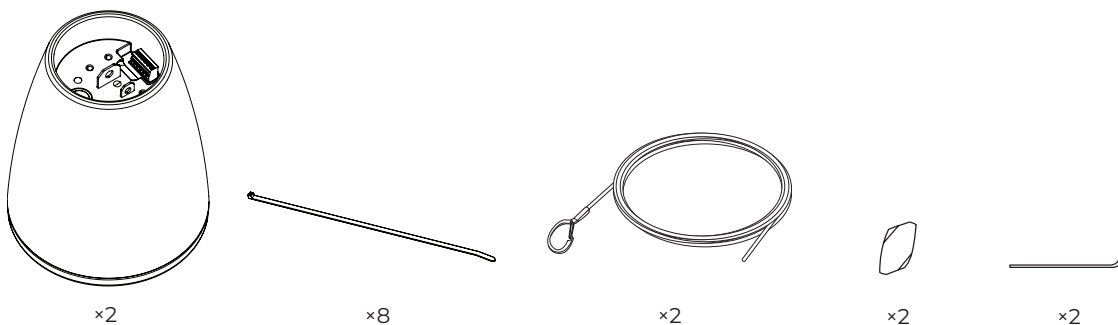
Inneholder små deler som kan medføre fare for kvelning. Ikke egnet for barn under 3 år.

- Dette produktet er kun ment for innendørsbruk.
- Alle Bose Professional-produkter må monteres i henhold til bransjeforskrifter og lokale og nasjonale forskrifter. Det er montørens ansvar å sikre at monteringen av høyttalere og monteringssystemet utføres i henhold til alle gjeldende forskrifter, inkludert lokale byggeforskrifter og bestemmelser. Kontakt de lokale myndighetene som har domsmyndighet før du monterer dette produktet.
- Utrygg montering eller opphenging av tunge gjenstander kan forårsake alvorlig skade eller død, samt skade på eiendom. Det er montørens ansvar å vurdere påliteligheten til alle monteringsmetodene de bruker. Takmonterte høyttalere skal bare monteres av profesjonelle montører med kunnskap om det riktige utstyret og trygge monteringsmetoder.
- Ikke monter produktet på steder der det kan bli eksponert for vann eller kondens.
- Ikke utsett produktet for drypp eller sprut, og plasser ikke gjenstander som er fylt med væske på eller i nærheten av produktet.
- Må ikke monteres på overflater som ikke er solide, eller som har skjulte faremomenter bak seg, for eksempel elektriske kabler eller rør. Sørg for at braketten er montert av en kvalifisert montør og i henhold til lokale retningslinjer.
- Bruk bare utstyret og tilbehøret som følger med, eller som er spesifisert av Bose Professional for bruk med DesignMax DM3P-høyttalere. Hvis du vil ha informasjon om kompatibelt tilbehør, kan du se produktets tekniske dataark på [BoseProfessional.com](http://BoseProfessional.com).
- Hold produktet unna ild og andre varmekilder. Ikke plasser kilder til bar ild, for eksempel tente stearinlys, på eller nær produktet.
- Ikke foreta uautoriserte endringer på dette produktet.
- Ikke eksponer høyttaleren eller monteringskomponentene for kjemikalier som ikke er spesifisert av Bose Professional, inkludert, men ikke begrenset til, smøremidler, rengjøringsmidler, kontaktsprayer eller andre hydrokarbonbaserte oppløsningsmidler. Slike midler kan forårsake at plastmaterialet brytes ned, som igjen kan forårsake sprekker og at høyttaleren faller ned.
- Bruk bare en tørr klut når du skal rengjøre høyttalere. Ikke bruk såpe, vaskemiddel, mineralolje, alkohol eller andre rengjøringsmidler eller kjemikalier når du rengjør høyttaleren.

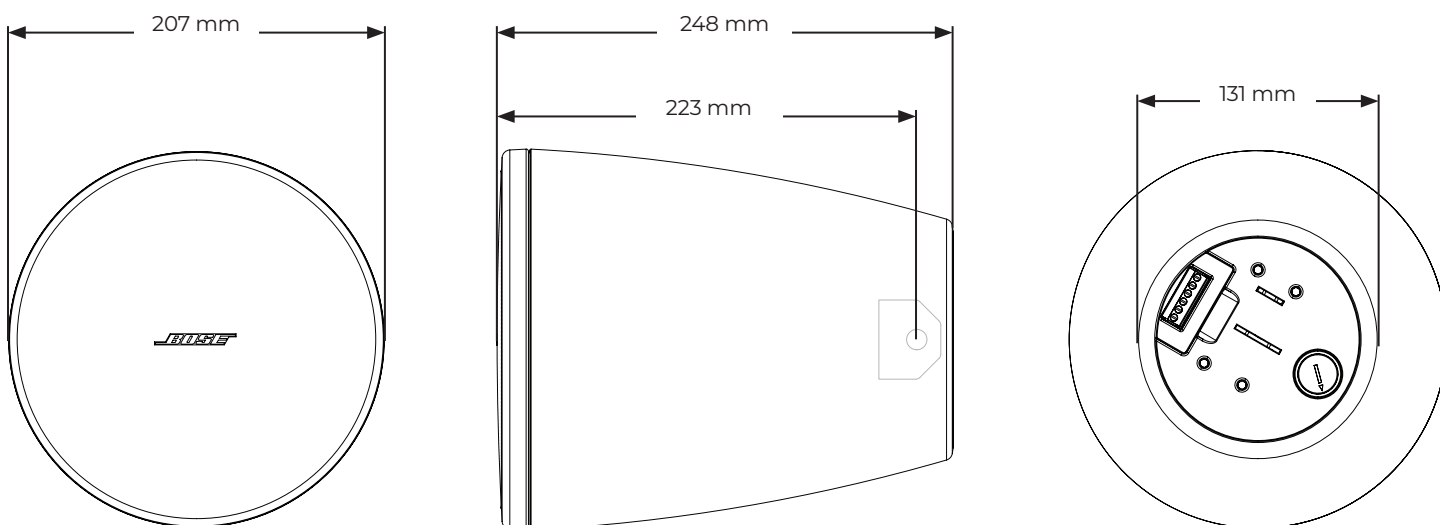
## Kabelspesifikke advarsler:

- Kabelen er ikke ment for montering eller bruk i innendørs vannanlegg (inkludert, men ikke begrenset til, innendørs basseng, innendørs badeland, rom med badestamp, badstuer, damprom og innendørs skøytebaner).
- Må ikke brukes til løfting, som en kran eller talje, eller til hengende installasjoner som kan beveges eller som har en dynamisk virkemåte. Kun beregnet på hengende statiske høyttalere.
- Ikke gå eller stå på kabelinstallasjonen.
- Ikke mal på kabelfestet eller en annen del av kabelenheten.
- Hvis du bruker et kabelsystem som ikke er levert av Bose Professional, må belastningsgrensen være lik eller større enn det medfølgende kabelsystemet. Se **Tekniske spesifikasjoner** for sikker arbeidsbelastning.
- Ikke påfør olje eller andre smøremidler på kabelfestet eller en annen del av kabelenheten.
- Skjøt aldri to kabler sammen. Bruk bare én kabelenhet per høyttalerfeste.
- Bruk bare opphengskabelen som følger med høyttalere fra Bose Professional.

## Innhold i pakken



## Produktmål



## Tekniske spesifikasjoner

Hvis du vil ha flere spesifikasjoner, kan du se det tekniske dataarket for DesignMax DM3P på [BoseProfessional.com](http://BoseProfessional.com).

Fysisk	
<b>Produktmål</b>	Diameter nederst: 207 mm
	Høyde: 248 mm
	Diameter øverst: 131 mm
<b>Kabelmål</b>	Lengde: 4,57 m
	Diameter: 2 mm
<b>Maks. belastning (sikker arbeidsbelastning)<sup>1</sup></b>	45,36 kg
<b>Nettvekt, høyttaler (enkel)</b>	2,51 kg
<b>Forsendelsesvekt (par)</b>	7,00 kg
<b>Temperaturområde drift</b>	0 til 50 °C (32 til 122 °F)
<b>Farge</b>	Svart (ligner på RAL 9005), hvit (ligner på RAL 9003)
<b>Kan males</b>	Velg en maling som er spesielt utformet for bruk med polypropylenplast (PP).
<b>Utendørs</b>	Kun innendørs

1. Bruk alltid kabelen innenfor den angitte sikre arbeidsbelastningen. Den inkluderte opphengskabelen har en sikker arbeidsbelastning på 45 kg.

## Viktig informasjon om montering



Før du monterer høyttaleren, må du se gjennom **Viktige sikkerhetsinstruksjoner** på side 26.

## Samsvar med sikkerhet og forskrifter

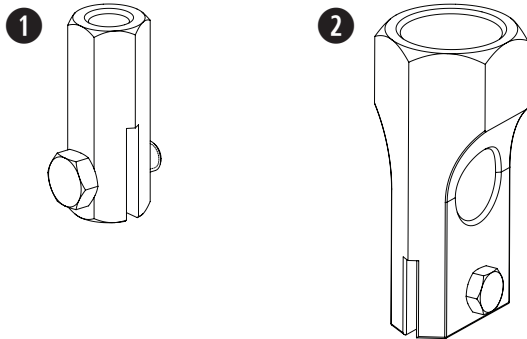
DesignMax DM3P-høyttaleren har bestått tester og samsvarer med følgende spesifikasjoner og bruksområder:

- Oppført i ANSI/UL 1480A-2016, høyttalere for profesjonell kommersiell bruk og sikkerhetsformål
- Generell bruk – UL-kategori UEAY, filnummer S36835
- Kan brukes til montering ved hjelp av kabelmetoder i klasse 1, klasse 2 eller klasse 3, i samsvar med NFPA 70, National Electrical Code, 2017, artikkel 640

## Valgfrie installasjonstilbehør

① Gjenget stangadapter

② Anhengadapter



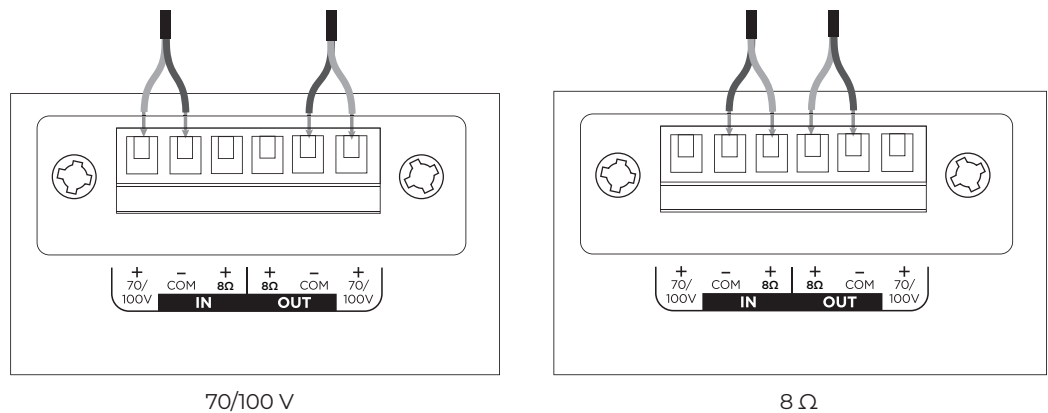
## Kable høyttaleren

### Kabeldiameter

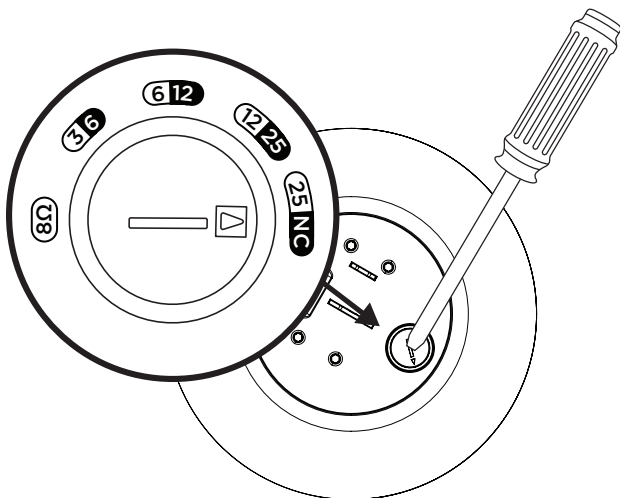
DesignMax DM3P-høyttaleren er utformet for å fungere kun med kabler på mellom 18 AWG (0,8 mm<sup>2</sup>) til 14 AWG (2,1 mm<sup>2</sup>).

### Koblingsdiagrammer

Eksponer seks millimeter av ledningen for å feste til terminalene.



## Høyttalerinnstillinger



70 V				8 Ω
3 W	6 W	12 W	25 W*	
6 W	12 W	25 W	NC**	
100 V				

\* Fabrikstandard

\*\* NC: Ingen tilkobling (ikke bruk)

### Innstilling av omformerkontakt

Vri for å stille inn kontakten. Bruk en skrutrekker med flatt hode.

## Forberede monteringen

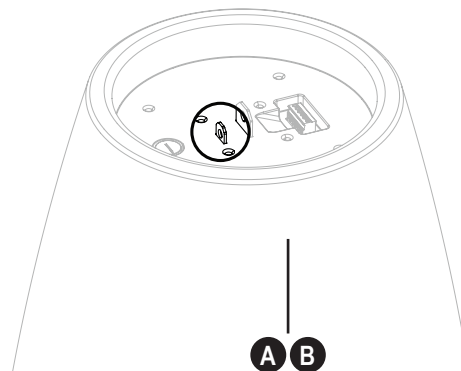
### Bruke en sikkerhetskabel

Noen regionale byggeforskrifter krever at du sikrer høyttalerne ytterligere ved hjelp av en sekundær sikringsmetode. Velg monteringssted, -metode- og -utstyr som samsvarer med lokale byggeforskrifter og bestemmelser.

Bose Professional anbefaler at du bruker (A) en sikkerhetsledning, (B) en sikkerhetskabel som sekundær sikringsmekanisme (følger ikke med). Se diagrammet til høyre for å se punkter om sikkerhetsfeste.

Den medfølgende fjæringskabelen kan brukes som en sikkerhetskabel med den gjengede stangadapteren eller hengeadapteren.

Følg produsentens instruksjoner for eventuelle sekundære festemekanismer som brukes.



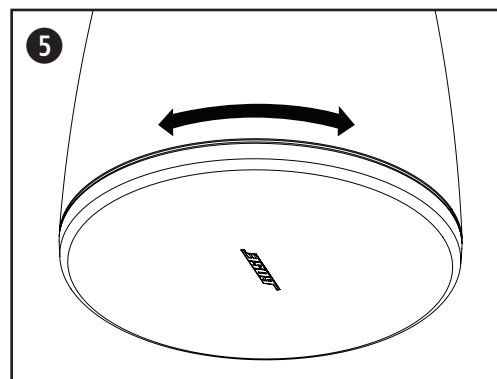
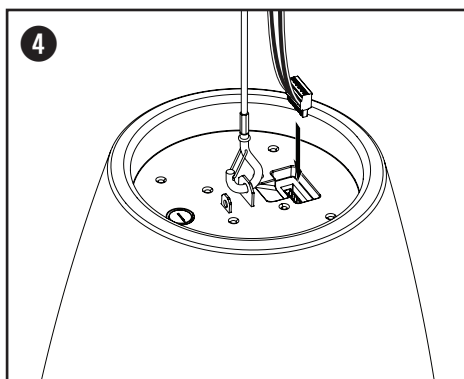
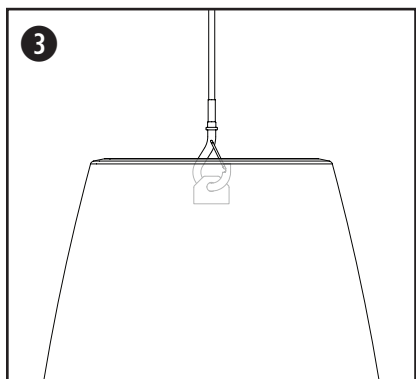
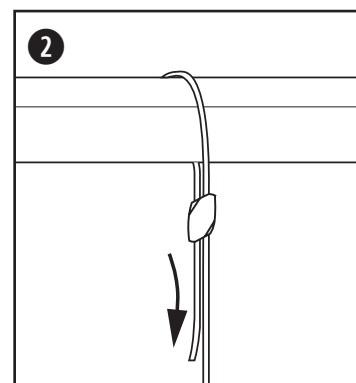
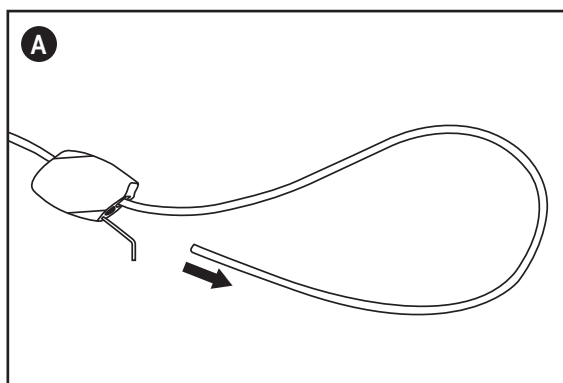
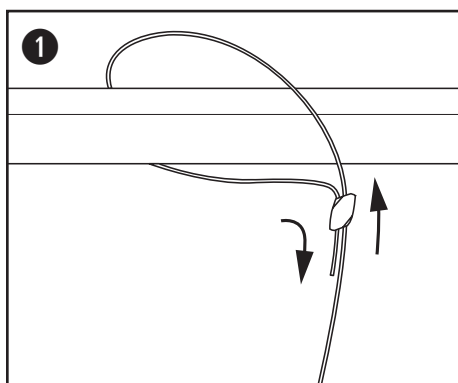
## Montere høyttaleren

Før du begynner monteringen, må du justere høyttalertappen.

1. Før den medfølgende opphengskabelen gjennom kabelfestet, og vikle kabelen rundt en støttestruktur. Fest kabelen med kabelfestet. **Merk:** Piler på kabelfestet angir kabelretningen.  
A. Hvis du vil løsne kabelen, setter du festeverktøyet inn i utløserhullet og justerer kabelen.
2. Trekk i den løse enden av opphengskabelen for å justere høyttaleren til ønsket høyde.
3. Fest kabelklemmen til det midtre festepunktet. Når du har nådd ønsket høyde på høyttaleren, må du kutte bort overflødig kabel. **Merk:** Skjær til frynsete ender med wirekuttere etter at du har fått riktig lengde.
4. Ta ut kontakten, kable den, og sett den tilbake i høyttaleren. Hvis du vil ha mer informasjon om kabling, kan du se **Kable høyttaleren** på side 28.  
**Merk:** Hvis du har tenkt å bruke en servicesløyfe, kan den lagres i høyttalersporet øverst på kabinettet.

Bruk kabelstripsene som følger med til å feste ledningen til opphengskabelen.

5. Roter grillen slik at logoen er i en retning som passer til monteringen.  
**Merk:** Ikke fjern gitteret med mindre du skal male det. Logoen kan fjernes fra grillen ved å dra den vekk fra overflaten på grillen.



## Należy zapoznać się ze wszystkimi zaleceniami dotyczącymi bezpieczeństwa oraz instrukcjami użytkowania i zachować je.

Instalację niniejszego produktu może przeprowadzić wyłącznie specjalista! Niniejszy dokument ma na celu dostarczenie profesjonalnym instalatorom podstawowych wskazówek dotyczących instalacji i bezpieczeństwa tego produktu w typowych, stałych instalacjach. Przed przystąpieniem do instalacji należy zapoznać się z niniejszym dokumentem i wszystkimi ostrzeżeniami dotyczącymi bezpieczeństwa. Nie wolno serwisować urządzenia samodzielnie. Wszystkie czynności serwisowe muszą być wykonywane przez pracowników autoryzowanych centrów serwisowych, autoryzowanych instalatorów, techników, sprzedawców lub dystrybutorów. Aby skontaktować się z firmą Bose Professional, ze sprzedawcą bądź dystrybutorem w okolicy, odwiedź stronę [BoseProfessional.com](http://BoseProfessional.com).

1. Przeczytaj instrukcje.
2. Zachowaj instrukcje.
3. Uwzględnij wszystkie ostrzeżenia.
4. Postępuj zgodnie z instrukcjami.
5. Nie korzystaj z tego urządzenia w pobliżu wody.
6. Czyść urządzenie wyłącznie suchą ściereczką.
7. Nie blokuj szczelin wentylacyjnych. Zainstaluj urządzenie zgodnie z zaleceniami producenta.
8. Nie instaluj urządzenia w pobliżu źródeł ciepła, takich jak kaloryfery, przewody kominowe, piece lub inne urządzenia wydzielające ciepło (np. wzmacniacze).
9. Należy korzystać wyłącznie z dodatków i akcesoriów określonych przez producenta.

## Klasyfikacja produktu:

Napięcie wejściowe: 70 V / 100 V

Impedancja: 8 Ω, 25 W

Prąd lub moc: (70 V): 3 W, 6 W, 12 W, 25 W; (100 V): 6 W, 12 W, 25 W

## Informacje prawne



Ten produkt jest zgodny ze wszystkimi obowiązującymi wymaganiami dyrektywy UE. Pełna treść Deklaracji zgodności jest dostępna w witrynie: [www.Bose.com/compliance](http://www.Bose.com/compliance).



Ten produkt jest zgodny ze wszystkimi obowiązującymi wymaganiami dokumentu Electromagnetic Compatibility Regulations 2016 oraz wszelkimi innymi przepisami obowiązującymi w Wielkiej Brytanii. Deklaracja zgodności jest dostępna w następującej witrynie internetowej: [www.Bose.com/compliance](http://www.Bose.com/compliance)



Ten symbol oznacza, że produktu nie wolno utylizować razem z odpadami komunalnymi. Produkt należy dostarczyć do odpowiedniego miejsca zbiórki w celu recyklingu. Prawidłowa utylizacja i recykling ułatwiają ochronę zasobów naturalnych, ludzkiego zdrowia i środowiska naturalnego. Aby uzyskać więcej informacji na temat utylizacji i recyklingu tego produktu, skontaktuj się z samorządem lokalnym, w zakładzie utylizacji odpadów albo w sklepie, w którym produkt został nabyty.

Data produkcji: ósma cyfra numeru seryjnego oznacza rok produkcji, np. cyfra „7” oznacza rok 2007 lub 2017.

**Importer — UE:** Transom Post Netherlands B.V., Keizersgracht 391A, 1016 EJ, Amsterdam  
**Importer — Wielka Brytania:** Transom Post Netherlands UK, Squires House 205a High Street, West Wickham, BR4 0PH  
**Importer z Japonii:** Transom Post International Japan KK Co., Ltd. PMO Tamachi IV Shiba5-29-19, Minato-ku, Tokio | **Importer — Australia:** Transom Post Australia Pty. Ltd., Level 14, 60 Margaret Street, Sydney, NSW 2000 | **Importer — Chiny:** Transom Post (Shanghai) Audio Co. Ltd Room 2209, Building 1, 175 Longyao Road, Xuhui District, Shanghai | **Importer — Meksyk:** POST INTL MEXICO, S. DE R.L. DE C.V. Insurgentes Sur No. 1079, 1st floor, Colonia Noche Buena, Benito Juárez, C.P. 03270, Meksyk | **Importer — ZEA:** 102 A, Sama Tower Sheikh Zayed Road, Dubaj, ZEA

Bose jest znakiem towarowym firmy Bose Corporation.

DesignMax jest znakiem towarowym firmy Transom Post OpCo LLC.

Bose Professional, 117 South St, Hopkinton, MA 01748 USA

©2024 Transom Post OpCo LLC. Żadnej części tego dzieła nie wolno reprodukować, modyfikować, rozpowszechniać ani w inny sposób wykorzystywać bez uprzedniego uzyskania pisemnego pozwolenia.

## Informacje o gwarancji

Opisywany produkt objęty jest ograniczoną gwarancją.

Szczegółowe informacje na temat gwarancji można znaleźć na stronie [BoseProfessional.com](http://BoseProfessional.com)

**Warranty.**



## OSTRZEŻENIA/PRZESTROGI



Produkt zawiera elementy magnetyczne. Aby dowiedzieć się, czy mogą one mieć wpływ na funkcjonowanie implantów medycznych, należy skonsultować się z lekarzem.



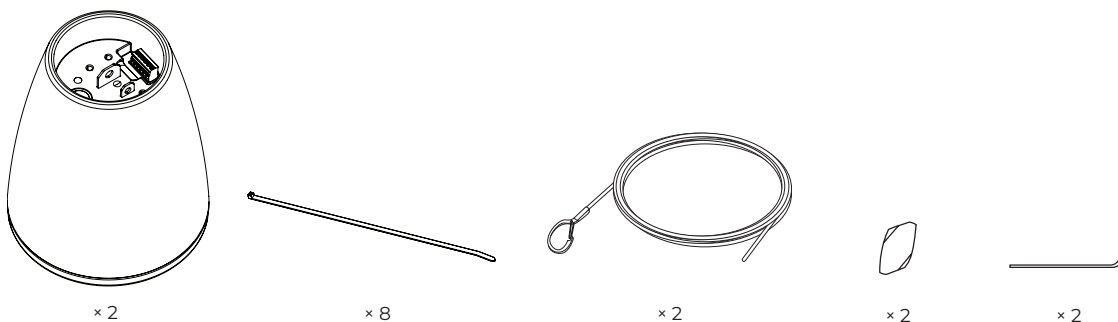
Produkt zawiera małe części, które mogą spowodować zadławienie. Nie jest on odpowiedni dla dzieci w wieku poniżej 3 lat.

- Produkt jest przeznaczony wyłącznie do użytku w pomieszczeniach.
- Wszystkie produkty Bose Professional muszą być instalowane zgodnie z przepisami lokalnymi, krajowymi, federalnymi i branżowymi. Instalator jest zobowiązany zainstalować głośniki i system montażowy zgodnie ze wszystkimi obowiązującymi regulaminami, w tym regulaminami i przepisami obowiązującymi w budynku. Przed instalacją produktu należy skonsultować się z odpowiednimi władzami.
- Niebezpieczny montaż lub podwieszenie ciężkiego ładunku może spowodować poważne obrażenia lub śmierć oraz uszkodzenie mienia. Do obowiązków instalatora należy ocena niezawodności każdej metody montażu stosowanej w tym przypadku. Montaż podwieszanych głośników może być przeprowadzany wyłącznie przez profesjonalnych instalatorów posiadających wiedzę o odpowiednim sprzęcie i bezpiecznych technikach montażu.
- Nie wolno montować produktu w miejscach, w których może być ono narażone na kontakt z wodą lub ze skroploną parą wodną.
- Nie wolno narażać urządzenia na działanie wody ani umieszczać na nim lub obok niego pojemników wypełnionych wodą.
- Nie wolno montować uchwytu na powierzchniach niedostatecznie solidnych lub stwarzających zagrożenia związane na przykład z instalacją elektryczną lub hydrauliczną. Wspornik powinien zamontować wykwalifikowany instalator z zachowaniem lokalnych przepisów budowlanych.
- Należy używać wyłącznie sprzętu i akcesoriów dostarczonych lub określonych przez firmę Bose Professional jako odpowiednie do głośników DesignMax DM3P. Informacje na temat zgodnych akcesoriów można znaleźć w arkuszu danych technicznych produktu pod adresem [BoseProfessional.com](http://BoseProfessional.com).
- Produkt musi być umieszczony z dala od ognia i źródeł ciepła. Na urządzeniu lub w jego pobliżu nie wolno umieszczać źródeł otwartego ognia, np. zapalonych świec.
- Nie wolno dokonywać modyfikacji produktu bez zezwolenia.
- Nie wolno narażać głośnika lub elementów montażowych na działanie substancji chemicznych, które nie zostały dozwolone przez firmę Bose Professional, w tym m.in. środków smarnych i czyszczących, środków do ochrony instalacji elektrycznych oraz rozpuszczalników na bazie węglowodorów. Narażenie na działanie takich substancji może prowadzić do degradacji materiałów plastikowych, a w rezultacie do pęknięcia i stworzenia zagrożenia upadkiem.
- Głośniki należy czyścić wyłącznie suchą szmatką. Nie należy wystawiać głośnika na działanie mydła, detergentów, oleju mineralnego, alkoholu ani innych środków czyszczących lub chemikaliów.

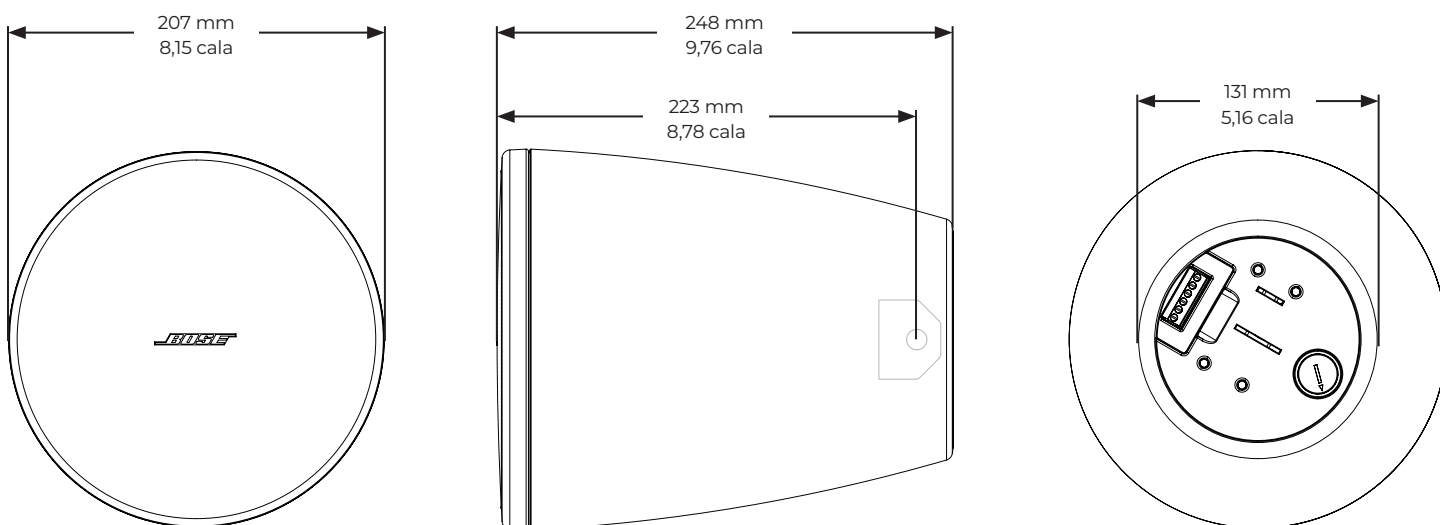
## Ostrzeżenia dotyczące linek montażowych:

- Linka ta nie jest przeznaczona do instalacji ani stosowania w pomieszczeniach mających stały kontakt z wodą (w tym m.in. basenach wewnętrznych, parkach wodnych, pomieszczeniach z jacuzzi, saunach, łaźniach parowych i lodowiskach).
- Nie należy używać do podnoszenia, na przykład za pomocą żurawi lub bloczków, ani do montowania ruchomych instalacji wiszących. Przystosowana wyłącznie do podwieszania głośników w sposób nieruchomy.
- Nie wolno stawać na instalacji ani po niej chodzić.
- Nie wolno zamalowywać zacisku ani żadnego innego elementu zwieszaka.
- W przypadku korzystania z linki montażowej innej firmy jej dopuszczalne obciążenie robocze musi być równe lub wyższe niż dopuszczalne obciążenie robocze linki montażowej znajdującej się w zestawie. W sekcji **Dane techniczne** znajdziesz informacje dotyczące dopuszczalnego obciążenia roboczego.
- Nie wolno pokrywać zacisku ani żadnego innego elementu zwieszaka olejem lub innymi substancjami smarnymi.
- W żadnym wypadku nie wolno łączyć linek ze sobą. Do każdego punktu zakotwiczenia wolno przymocować tylko jedną linkę.
- Do montowania podwieszanych głośników Bose Professional należy używać tylko zwieszaków linkowych.

## Zawartość opakowania



## Wymiary produktu



## Dane techniczne

Dodatkowe dane techniczne można znaleźć w arkuszu danych technicznych DesignMax DM3P na stronie [BoseProfessional.com](http://BoseProfessional.com).

Specyfikacja	
Wymiary produktu	Średnica na dole: 207 mm (8,15 cala)
	Wysokość: 248 mm (9,76 cala)
	Średnica na górze: 131 mm (5,16 cala)
Wymiary linki	Długość: 4,57 m (15,00 stóp)
	Średnica: 2 mm (0,08 cala)
Maksymalne obciążenie (dopuszczalne obciążenie robocze) <sup>1</sup>	45,36 kg (100,0 lb)
Waga netto, głośnik (pojedynczy)	2,51 kg (5,53 lb)
Waga przesyłki (para)	7 kg (15,43 lb)
Zakres temperatur otoczenia (eksploatacja)	0°C do 50°C (32°F do 122°F)
Kolor	Czarny (podobny do RAL 9005); Biały (podobny do RAL 9003)
Możliwość pomalowania	Należy użyć farby, która jest przeznaczona do malowania tworzyw sztucznych wykonanych z polipropylenu (PP).
Otoczenie	Wyłącznie w pomieszczeniach

1. Obciążenie linki montażowej nigdy nie powinno przekraczać jej dopuszczalnego obciążenia roboczego. Dopuszczalne obciążenie robocze linki montażowej dołączonej do zestawu wynosi ok. 45 kg.

## Ważne informacje dotyczące instalacji



Przed rozpoczęciem montażu głośnika zapoznaj się z **Ważnymi zaleceniami dotyczącymi bezpieczeństwa** znajdującymi się na stronie 30.

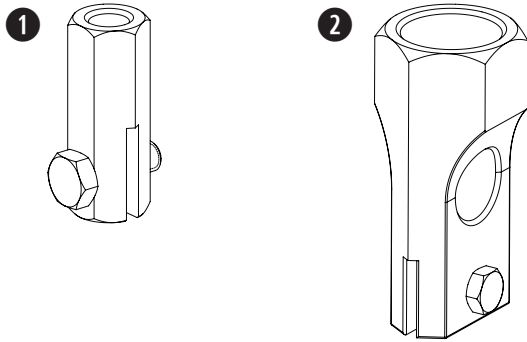
## Informacje dotyczące bezpieczeństwa i zgodności

Głośnik DesignMax DM3P przeszedł testy i jest zgodny z następującymi specyfikacjami i zastosowaniami:

- Zgodność z normami ANSI/UL 1480A-2016, Głośniki do bezpiecznego użytku komercyjnego i specjalistycznego
- Do zastosowań ogólnych — kategoria UL UEAY, numer pliku S36835
- Głośniki nadają się do instalacji przy użyciu okablowania klasy 1, klasy 2 lub klasy 3 zgodnie z normą NFPA 70, National Electric Code, 2017, art. 640

## Opcjonalne akcesoria do montażu

- ❶ Gwintowany adapter w kształcie tulei
- ❷ Adapter przepustu kablowego i zwieszaka



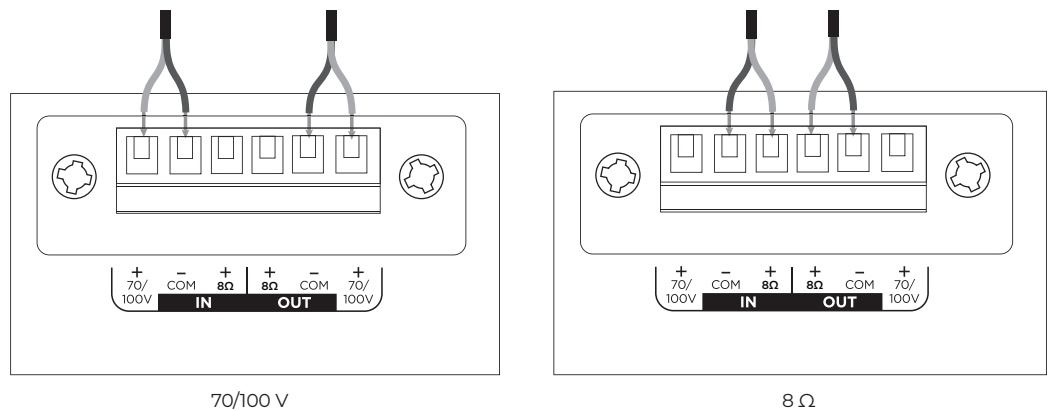
## Podłączanie okablowania do głośnika

### Grubość przewodu

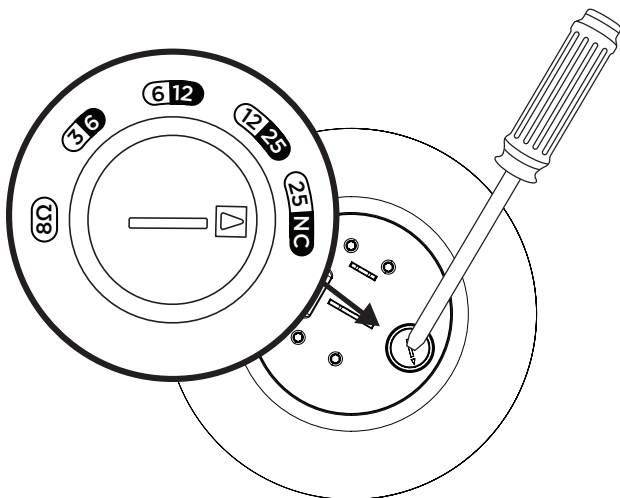
Do montażu głośnika DesignMax DM3P należy stosować wyłącznie przewody o rozmiarze od 18 AWG (0,8 mm<sup>2</sup>) do 14 AWG (2,1 mm<sup>2</sup>).

### Schematy połączeń

Odsłonić sześć milimetrów (¼ cala) nieizolowanego przewodu, aby podłączyć go do zacisków.



## Ustawienia głośnika



70 V				8 Ω
3 W	6 W	12 W	25 W*	
6 W	12 W	25 W	NC**	
100V				

\* Ustawienia fabryczne

\*\* NC: brak połączenia (nie używać)

### Ustawienie gwintownika transformatora

Ustaw gwintownik, obracając go. Użyj płaskiego wkrętaka.



## Przygotowanie do montażu

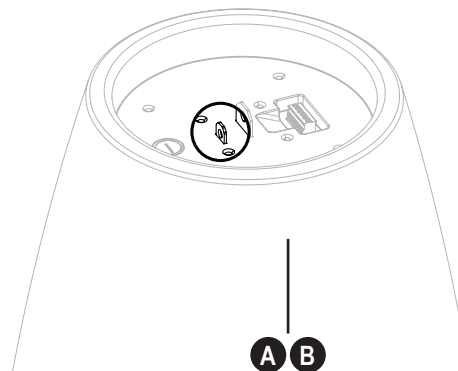
### Korzystanie z linki zabezpieczającej

Niektóre regionalne przepisy budowlane wymagają zastosowania dodatkowej metody zabezpieczania głośników w celu zapewnienia dodatkowego bezpieczeństwa. Pozycja, sposób i elementy montażu muszą być zgodne z lokalnymi normami i przepisami budowlanymi.

Firma Bose Professional zaleca użycie (A) przewodu zabezpieczającego lub (B) linki zabezpieczającej jako dodatkowego mechanizmu zabezpieczającego (brak w zestawie). Punkty mocowania osprzętu zabezpieczającego przedstawiono na schemacie po prawej stronie.

W przypadku korzystania z Gwintowanego adaptera w kształcie tulei lub Adaptera przepustu kablowego i zwieszaka dołączona do zestawu linka podwieszająca może być użyta jako linka zabezpieczająca.

Należy przestrzegać instrukcji producenta dotyczących dodatkowego mechanizmu zabezpieczającego.



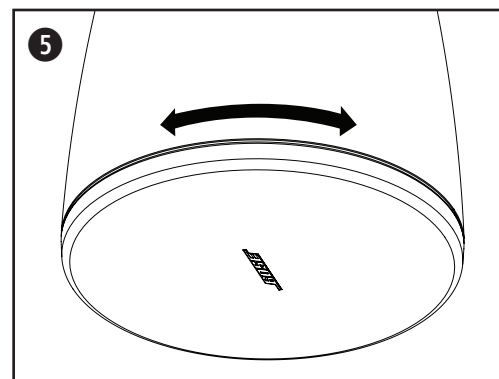
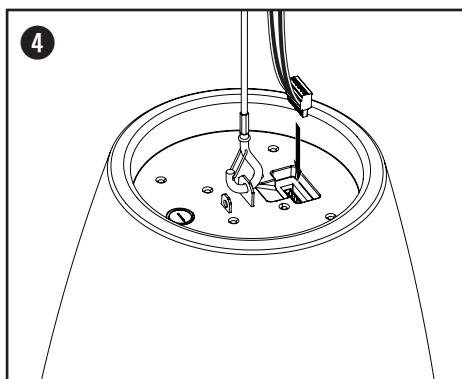
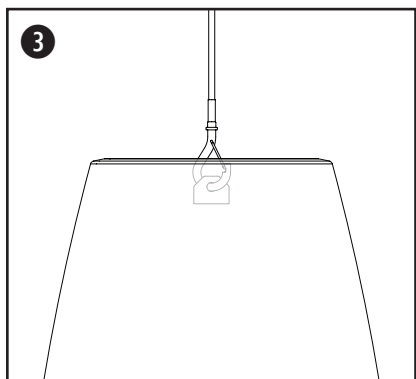
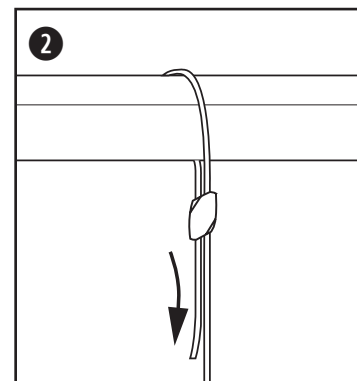
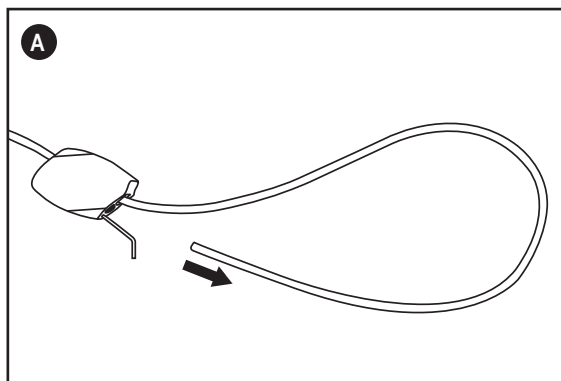
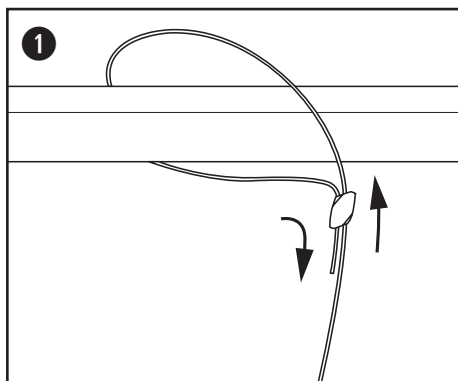
### Montaż głośnika

Przed montażem głośnika należy skonfigurować ustawienia gwintownika.

- Dołączoną do zestawu linkę montażową przeciągnij przez zacisk i owiń wokół struktury, na której ma wisieć głośnik. Następnie zabezpiecz linkę za pomocą zacisku. **Uwaga!** Strzałki na zacisku wskazują kierunek przeciągania linki.  
A. Aby poluzować linkę, wsuń narzędzie montażowe do otworu zwalniającego i dostosuj napięcie linki.
- Pociągnij wolny koniec linki podwieszającej, aby ustawić głośnik na żądanej wysokości.
- Przyczepi karabińczyk do środkowego punktu mocowania. Po ustawieniu głośnika na żądanej wysokości odetnij wolny koniec linki podwieszającej. **Uwaga!** Po przycięciu linki do odpowiedniej długości wszelkie strzępiące się włókna należy odciąć obcinakiem do kabli.
- Odłącz złącze, podłącz okablowanie do złącza i ponownie podłącz złącze do głośnika. Informacje na temat okablowania można znaleźć w sekcji **Podłączenie okablowania do głośnika** na stronie 32.  
**Uwaga!** Jeśli nie chcesz odcinać wolnego końca linki, możesz ukryć go we wnęce górnej części obudowy.

Za pomocą dołączonych do zestawu opasek kablowych poprowadź okablowanie głośnika wzdłuż linki podwieszającej.

- Obróć maskownicę tak, aby logo znajdowało się we właściwym położeniu.  
**Uwaga!** Nie zdejmuj maskownicy, chyba że w celu pomalowania. Logo można usunąć, odcepiając je od maskownicy.




请阅读并保留所有安全和使用说明。


本产品仅可由专业安装人员安装！本文档旨在为专业安装人员提供在典型的固定安装系统中安装此产品时适用的基本安装和安全指南。请先阅读本文档和所有安全警告，再尝试安装。

请勿尝试自行维修此产品。所有维修服务必须由授权服务中心、安装人员、技术人员、经销商或分销商提供。要联系 Bose Professional 或查找您附近的经销商或分销商，请访问 [BoseProfessional.com](http://BoseProfessional.com)。


1. 请阅读这些说明。
2. 请保留这些说明。
3. 请注意所有警告。
4. 请遵守所有说明。
5. 请勿在水附近使用本设备。
6. 只能使用干布进行清洁。
7. 请勿堵塞任何通风口。请按照制造商的说明安装。
8. 请勿安装在靠近任何热源的位置，例如暖气片、热调节装置、火炉或可产生热量的其他设备（包括功放）。
9. 只能使用制造商指定的附件/配件。



**警告/小心**



本产品含有磁性材料。有关这是否会影响到您的植入式医疗器械，请咨询您的医生。



包含小部件，可能会导致窒息。不适合 3 岁以下的儿童使用。

- 本产品仅可在室内使用。
- 所有 Bose Professional 产品的安装都必须遵守当地、州、联邦和行业规范。安装人员有责任确保扬声器和安装系统的安装都符合适用的法规，包括当地的建筑法规和规定。安装本产品前，请咨询拥有司法权的当地监管机构。
- 不安全地登高安装或吊装任何重物可能导致严重的人身伤害和财产损失。安装人员有责任评估在其应用中所使用的任何安装方法的可靠性。只有正确了解硬件且掌握安全安装方法的专业安装人员才能尝试以吊装的方式安装任何扬声器。
- 请勿将产品安装在暴露于水或可能发生冷凝的位置。
- 本产品不得受液体飞溅或喷洒，不得将装有液体的物体置于本产品上或本产品附近。
- 请勿将本产品安装在在不结实或有潜在危险的表面，比如铺有电线或管道的地方。确保支架由拥有相应资质的专业安装人员安装且符合当地的建筑法规。
- 仅使用随附安装紧固件和附件或 Bose Professional 指定与 DesignMax DM3P 扬声器配合使用的安装紧固件和附件。有关兼容配件的信息，请参阅 [BoseProfessional.com](http://BoseProfessional.com) 上的产品技术参数表。
- 请将本产品放置到远离火源和热源的地方。请勿将明火火源（如点燃的蜡烛）置于本产品上或本产品附近。
- 未经授权切勿改装本产品。
- 请勿让扬声器或安装组件接触 Bose Professional 未说明的任何化学物质，包括但不限于润滑剂、清洗剂、触点喷剂或烃类溶剂。暴露于此类物质中可能会导致产品塑料材料老化，从而导致产品开裂和坠落危险。
- 只能使用干布清洁扬声器。请勿让扬声器接触肥皂、清洁剂、矿物油、酒精或其他清洁剂或化学品。

**安全绳特定警告：**

- 本安全绳不适合在室内涉水设施区域安装或使用（包括但不限于室内游泳馆、室内水上乐园、有热水浴缸的房间、桑拿房、蒸汽浴室以及室内溜冰场）。
- 请勿用于起重机或滑轮等起重设备，或用于进行移动或动态动作的悬挂装置。仅用于悬挂静态扬声器。
- 请勿在安全绳上行走或站立。
- 请勿在安全绳紧固件或安全绳的任何其他组件上喷涂。
- 如果使用非 Bose Professional 提供的安全绳装置，那么它的额定载荷必须等于或大于 Bose Professional 提供的安全绳装置。有关安全额定载荷的详细信息，请参阅**技术规格**。
- 请勿在安全绳紧固件或安全绳的任何其他组件上涂抹机油或任何其他润滑剂。
- 切忌将两根安全绳连接在一起。每个扬声器悬挂点只能使用一个安全绳组件。
- 只使用垂吊悬挂安全绳来安装 Bose Professional 垂吊扬声器。

产品额定值：

输入电压：70V/100V

阻抗：8 Ω, 25 W

电流或功率：(70V): 3W、6W、12W、25W; (100V): 6W、12W、25W

规范信息



本产品符合所有适用的欧盟指令要求。您可以从以下网址找到完整的合规声明：[www.Bose.com/compliance](http://www.Bose.com/compliance)。



本产品符合所有适用的 2016 电磁兼容性法规和所有其他适用的英国法规。符合声明全文载于：[www.Bose.com/compliance](http://www.Bose.com/compliance)




此符号表示本产品不得作为生活垃圾丢弃，必须送至相关回收部门循环利用。正确处理和回收有助于保护自然资源、人类健康和环境。想要获得更多关于此产品的处理和回收的信息，请联系当地市政当局、垃圾处理服务部门或您购买此产品的商店。

中国危险物质限用表

有毒或有害物质或元素的名称及成分						
有毒或有害物质和元素						
零件名称	铅 (Pb)	汞 (Hg)	镉 (Cd)	六价铬 (CR(VI))	多溴化联苯 (PBB)	多溴二苯醚 (PBDE)
印刷电路板	X	0	0	0	0	0
金属零件	X	0	0	0	0	0
塑料零件	0	0	0	0	0	0
扬声器	X	0	0	0	0	0
线缆	X	0	0	0	0	0

此表格符合 SJ/T 11364 条款。  
 0: 表示此零件中所有均质材料所包含的此类有毒或有害物质均低于 GB/T 26572 中的限定要求。  
 X: 表示此零件所用全部均质材料中至少有一种包含的这种有毒或有害物质高于 GB/T 26572 标准的限定要求。



生产日期：序列号中第八位数字表示生产年份；

“7”表示 2007 年或 2017 年。

欧洲进口商：Transom Post Netherlands B.V., Keizersgracht 391A, 1016 EJ, Amsterdam | 英国进口商：Transom Post Netherlands UK, Squires House 205a High Street, West Wickham, BR4 0PH | 日本进口商：Transom Post International Japan KK Co., Ltd. PMO Tamachi IV Shiba5-29-19, Minato-ku, Tokyo | 澳大利亚进口商：Transom Post Australia Pty. Ltd., Level 14, 60 Margaret Street, Sydney, NSW 2000 | 中国进口商：Transom Post (Shanghai) Audio Co. Ltd 上海市徐汇区龙耀路 175 号 1 号楼 2209 室 | 墨西哥进口商：POST INTL MEXICO, S. DE R.L.DE C.V.Insurgentes Sur No. 1079, 1st floor, Colonia Noche Buena, Benito Juárez, C.P.03270, Mexico City | 阿联酋进口商：102 A, Sama Tower Sheikh Zayed Road, Dubai UAE

Bose 是 Bose Corporation 的商标。

DesignMax 是 Transom Post OpCo LLC 的商标。

Bose Professional, 117 South St, Hopkinton, MA 01748 USA

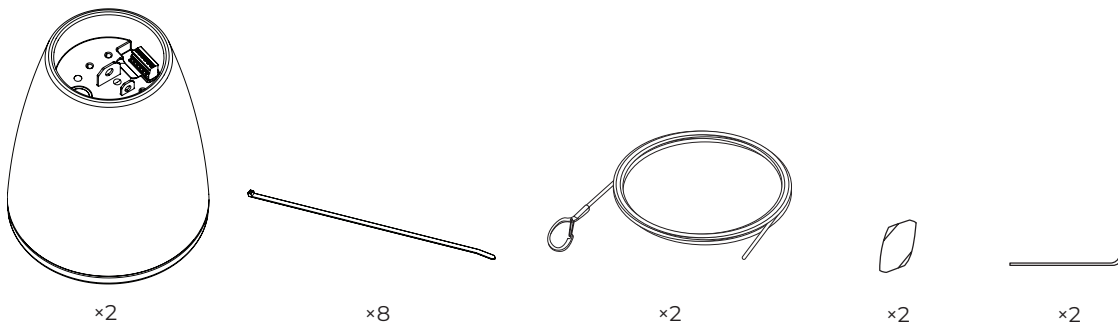
©2024 Transom Post OpCo LLC。未经事先书面许可，不得复制、修改、分发或以其他方式使用本文档的任何部分。

质保信息

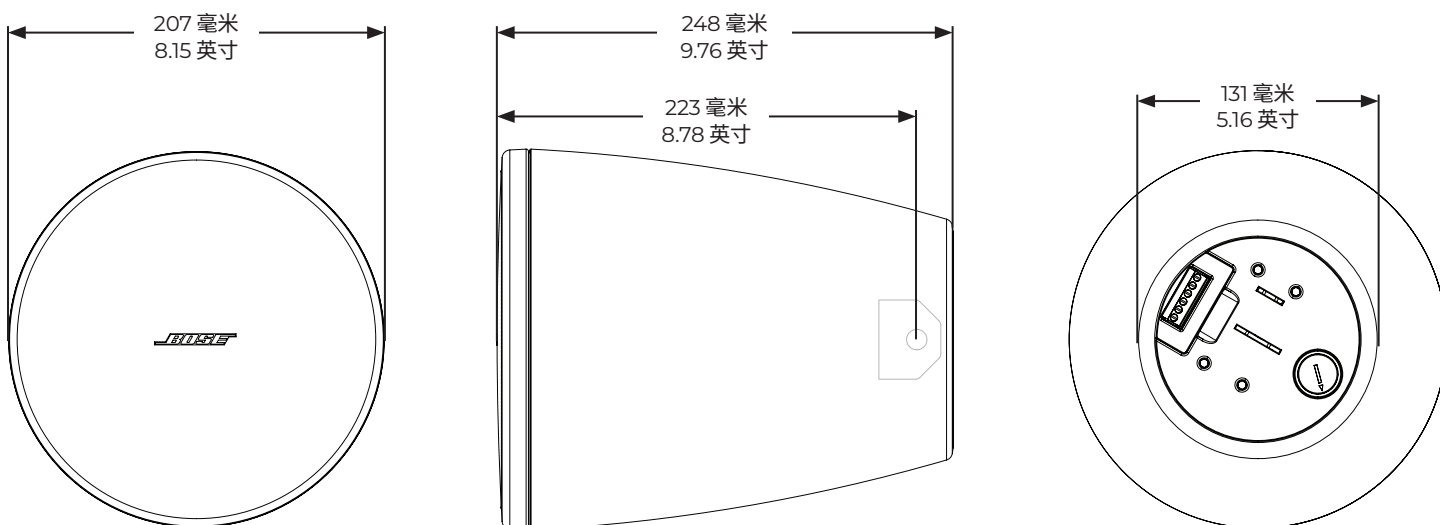
本产品享有有限保修。

有关质保的详细信息，请访问 [BoseProfessional.com/Warranty](http://BoseProfessional.com/Warranty)。

## 包装清单



## 产品尺寸



## 技术规格

有关其他规格, 请参阅 [BoseProfessional.com](http://BoseProfessional.com) 上的 DesignMax DM3P 技术参数表。

扬声器单元	
产品尺寸	底部直径: 207 毫米 (8.15 英寸)
	高度: 248 毫米 (9.76 英寸)
	顶部直径: 131 毫米 (5.16 英寸)
线缆尺寸	长度: 4.57 米 (15.00 英尺)
	直径: 2 毫米 (0.08 英寸)
最大负载 (安全的额定载荷) <sup>1</sup>	45.36 千克 (100.0 磅)
扬声器净重 (单只)	2.51 千克 (5.53 磅)
装运重量 (成对)	7.00 千克 (15.43 磅)
工作温度范围	40 °C 至 0 °C (0 °F 至 122 °F)
颜色	黑色 (与 RAL 9005 类似); 白色 (与 RAL 9003 类似)
可喷涂	选择专用于聚丙烯 (PP) 塑料的涂料。
环境	仅限室内

1. 务必在规定的安全工作负荷范围内使用安全绳。随附的悬挂安全绳的安全工作负荷为 100 磅。

## 重要安装信息



安装扬声器之前, 请阅读第 34 页上的重要安全说明。

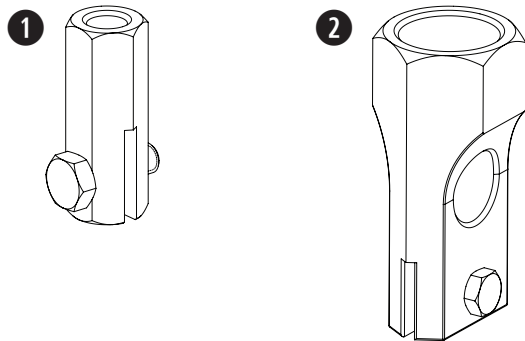
## 安全与法规遵从

DesignMax DM3P 扬声器经过测试, 符合以下规格和用途:

- 列出的扬声器符合 ANSI/UL 1480A-2016, 适合商业和安全专业用途
- 通用 - UL 类别 UEAY, 文件号 S36835
- 适合使用 1 级、2 级、3 级接线方法安装, 符合 NFPA 70 美国国家电气法规 (2017) 第 640 条

## 可选安装附件

- ① 螺纹杆适配器
- ② 吊架导管适配器



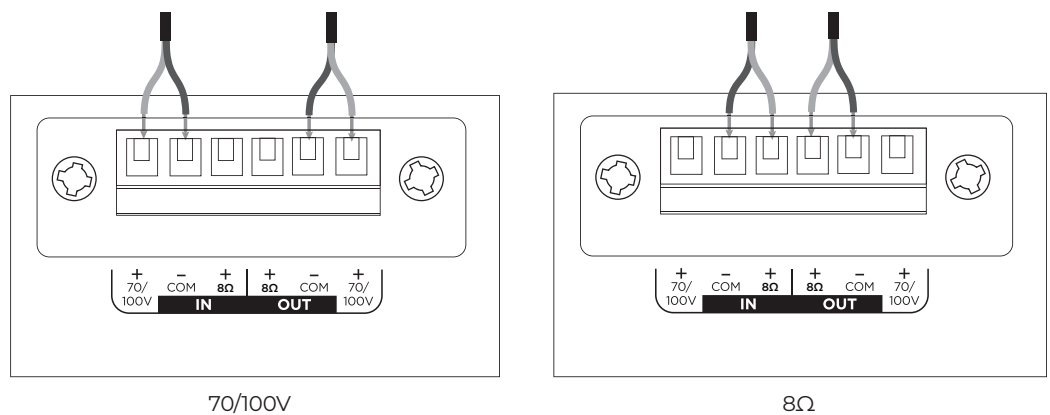
## 扬声器接线

### 线规

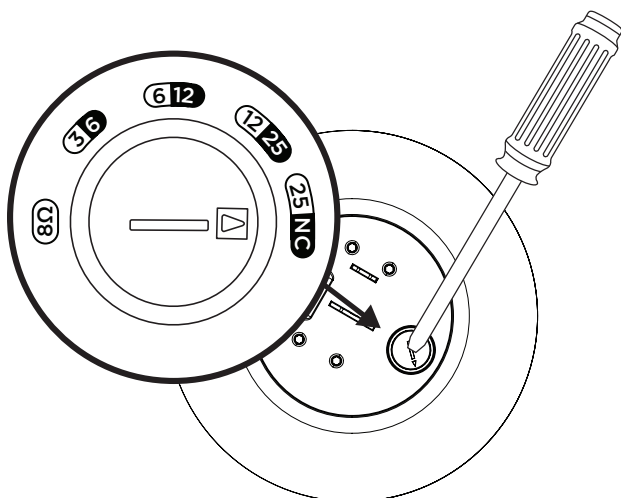
DesignMax DM3P 扬声器仅可与 18 AWG (0.8 平方毫米) 至 14 AWG (2.1 平方毫米) 规格的接线一起使用。

### 接线图

露出六毫米 (1/4 英寸) 长的裸线以连接到端子。



## 扬声器设置



70V				
3W	6W	12W	25W*	8Ω
6W	12W	25W	NC**	
100V				

\* 出厂默认设置

\*\* NC: 无连接 (不使用)

### 变压器抽头设置

转动设置抽头。使用平头螺丝刀。

## 准备安装

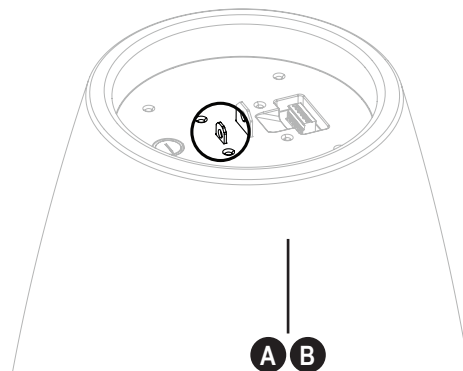
### 使用安全绳

某些地区的施工规范要求使用辅助方法将扬声器固定到支撑结构，以提供额外的安全保障。选择符合当地建筑规范和条例的安装位置、方法和硬件。

Bose Professional 建议使用 (A) 一根保险钢丝或 (B) 一根安全绳 (不随附) 作为辅助固定装置。有关安全连接点，请参阅右侧图片。

使用螺杆适配器或吊架导管适配器附件时，随附的悬吊线缆可用作安全绳。

对于已实施的任何辅助固定装置，请遵循制造商的说明。



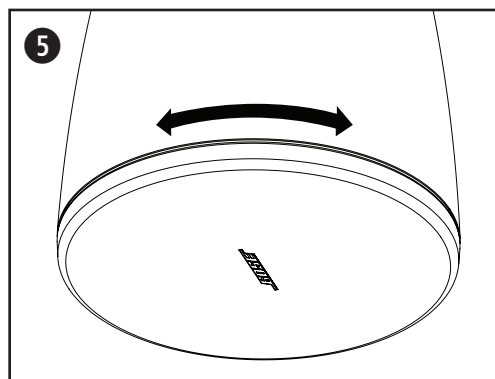
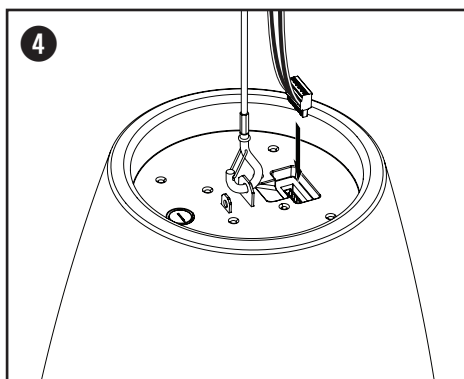
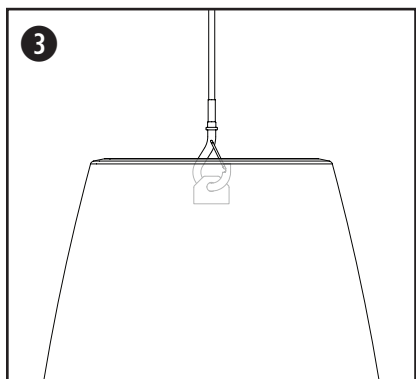
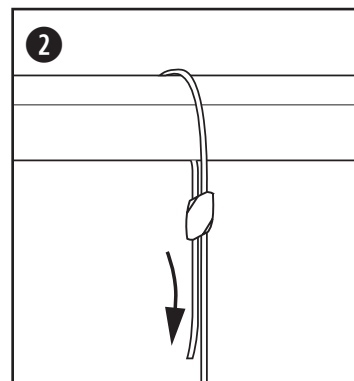
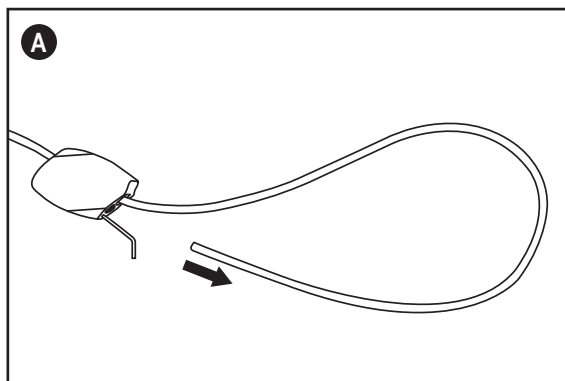
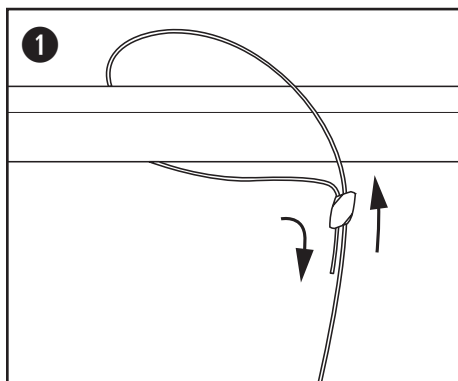
## 安装扬声器

开始安装之前，请务必调整您的扬声器抽头设置。

1. 将随附的悬挂安全绳穿过安全绳紧固件，并将安全绳缠绕在支撑结构上；使用安全绳紧固件固定安全绳。  
**注意：**安全绳紧固件上的箭头表示安全绳的方向。  
A. 将紧固件工具插入释放孔并调整安全绳以松开安全绳。
2. 拉动悬吊线缆的松弛端，以将安全绳调整到所需高度。
3. 将线缆夹固定至中心连接点。达到所需的扬声器高度后，切断多余的线缆。  
**注意：**切割到一定长度后，用钢丝钳修剪任何磨损的细丝。
4. 拔下接线端子并接线，然后将端子重新插入扬声器。有关接线信息，请参阅第 36 页的**扬声器接线**。  
**注意：**如果您打算使用辅助线缆，可以将其放置在外壳顶部的扬声器凹陷处。

使用随附的线缆扎带将接线固定至悬吊线缆。

5. 旋转网罩，使徽标的方向与装置相符。  
**注意：**除非进行涂漆，否则不要卸下网罩。徽标可从网罩上取下。




請詳閱並妥善保管所有安全與使用指示。


本產品僅限由專業安裝人員安裝！本文件包含本產品採一般固定式安裝系統時的相關基本安裝資訊與安全基準，以供專業安裝人員參考。在嘗試進行安裝以前，請先閱讀本文件與所有的安全警告。

請勿自行維修本產品。如需任何維修服務，請洽授權服務中心、安裝人員、技術人員、經銷商或分銷商。若要聯絡 Bose Professional 或尋找附近的經銷商或分銷商，請造訪 BoseProfessional.com。


1. 閱讀這些指示。
2. 保留這些指示。
3. 注意所有警告。
4. 遵守所有指示。
5. 請勿於近水處使用本設備。
6. 只能用乾布清潔。
7. 請勿堵塞任何通風口。請按照製造商的指示安裝。
8. 請勿在熱源附近安裝，如暖氣片、熱調節裝置、火爐或可發熱的其他裝置（包括擴大機）。
9. 請僅使用製造商指定的附件/配件。



**警告/注意**



本產品含有磁性材料。請諮詢醫生以瞭解這是否會影響您的植入式醫療設備。



包含小零件，可能導致窒息危險。不適合 3 歲以下的兒童使用。

- 本產品僅供室內使用。
- 所有 Bose Professional 產品的安裝必須遵守當地、州、聯邦和行業規範。安裝人員有責任確保揚聲器和安裝系統的裝設均符合適用的法規，包括當地的建築法規和規定。安裝本產品前，請諮詢擁有司法權的當地政府機關。
- 以不安全的方式安裝或高處懸吊任何重物都可能導致嚴重的人身傷害或死亡，以及財產損失。安裝人員須負責評估其應用情形中所採用之任何安裝方式是否穩定可靠。只有具備適當五金部件知識與安全安裝技術的專業安裝人員，才可嘗試安裝任何高處懸吊揚聲器。
- 請勿將本產品安裝於可能接觸水或結露的位置。
- 請勿讓本產品受液體淋濺或噴灑，也請勿將裝有液體的物體置於本產品上或本產品附近。
- 請勿安裝在不穩定或有潛在危險的表面，比如佈線或鋪設管道的地方。請務必由合格的專業安裝人員遵照當地的建築法規安裝支架。
- 僅限使用 Bose Professional 隨附或指定用於 DesignMax DM3P 揚聲器的五金部件與配件。如需相容配件的相關資訊，請參閱 BoseProfessional.com 上的產品技術資料表。
- 請使產品遠離火源和熱源。請勿將明火火源（例如點燃的蠟燭）置於本產品上或本產品附近。
- 未經授權請勿擅自改裝本產品。
- 請勿使揚聲器或安裝組件接觸任何非 Bose Professional 指定的化學物質，包括但不限於潤滑劑、清潔劑、觸點噴劑或碳氫溶劑。接觸該等物質會使塑膠材質劣化，進而導致破裂並產生墜落危險。
- 請僅使用乾布來清潔揚聲器。請勿使揚聲器接觸肥皂、去污劑、礦物油、酒精或其他清潔劑或化學品。

**纜線特定警告：**

- 纜線並不適合安裝或用於室內有水設施區域（包括但不限於：室內泳池、室內戲水區、熱水浴池、三溫暖、蒸氣室與室內溜冰場等）。
- 請勿用於諸如起重機或滑輪組等升降裝置，或用於具有運動或動態行為的懸掛裝置。僅限用於吊裝靜態揚聲器。
- 請勿於纜線裝置上踩踏或站立。
- 請勿為纜線結線器或纜線組件的其他任何部件上漆。
- 若使用非 Bose Professional 原廠的纜線系統，則工作負載限制必須等於或大於原廠提供的纜線系統。請參閱技術規格瞭解安全工作負載資訊。
- 請勿為纜線結線器或纜線組件的其他任何部件上油或使用其他任何潤滑劑。
- 請切勿將兩條纜線接在一起。每個揚聲器吊掛點只能使用一個纜線組件。
- 吊裝懸吊纜線只能搭配 Bose Professional 吊裝式揚聲器使用。

產品額定值：

輸入電壓：70V/100V

阻抗：8 Ω, 25 W

電流或功率：(70V)：3W、6W、12W、25W；(100V)：6W、12W、25W

法規資訊



本產品符合所有適用的歐盟指令要求。符合聲明全文載於：  
www.Bose.com/compliance



本產品符合所有適用的 2016 電磁相容性法規和所有其他適用的英國法規。您可以從以下位置找到完整的符合聲明：  
www.Bose.com/compliance



此符號表示本產品不得作為家庭垃圾棄棄，應該送至相關回收部門循環利用。適當的處理和回收有助於保護自然資源、人類健康以及自然環境。想了解更多有關本產品的處理和回收資訊，請與當地民政部門、廢棄物處理服務機構或售出本產品的商店聯絡。

台灣 BSMI 限用物質含有情況標示

設備名稱：揚聲器，型號：841165						
限用物質及其化學符號						
組件	鉛 (Pb)	汞 (Hg)	鎘 (Cd)	六價鉻 (Cr+6)	多溴聯苯 (PBB)	多溴二苯醚 (PBDE)
印刷電路板	-	○	○	○	○	○
金屬零件	-	○	○	○	○	○
塑膠零件	○	○	○	○	○	○
揚聲器	-	○	○	○	○	○
連接線	-	○	○	○	○	○

備註 1：「○」表示限用物質的濃度百分比含量未超過參考值。  
備註 2：「-」表示限用物質屬於豁免項目範圍。

生產日期：序號第八位數代表製造年份；「7」代表 2007 或 2017。

歐盟進口商：Transom Post Netherlands B.V., Keizersgracht 391A, 1016 EJ, Amsterdam | 英國進口商：Transom Post Netherlands UK, Squires House 205a High Street, West Wickham, BR4 0PH | 日本進口商：Transom Post International Japan KK Co., Ltd. PMO Tamachi IV Shiba5-29-19, Minato-ku, Tokyo | 澳洲進口商：Transom Post Australia Pty. Ltd., Level 14, 60 Margaret Street, Sydney, NSW 2000 | 中國進口商：Transom Post (Shanghai) Audio Co. Ltd Room 2209, Building 1, 175 Longyao Road, Xuhui District, Shanghai | 墨西哥進口商：POST INTL MEXICO, S. DE R.L. DE C.V. Insurgentes Sur No. 1079, 1st floor, Colonia Noche Buena, Benito Juárez, C.P. 03270, Mexico City | 阿拉伯聯合大公國進口商：102 A, Sama Tower Sheikh Zayed Road, Dubai UAE

Bose 為 Bose Corporation 的商標。

DesignMax 為 Transom Post OpCo LLC 的商標。

Bose Professional, 117 South St, Hopkinton, MA 01748 USA

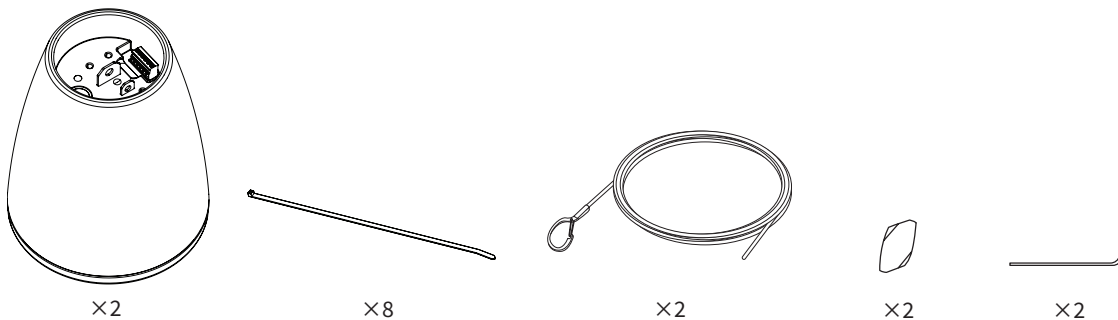
©2024 Transom Post OpCo LLC。未經事先書面許可，不得複製、修改、散佈或以其他方式使用本資料的任何部分。

保固資訊

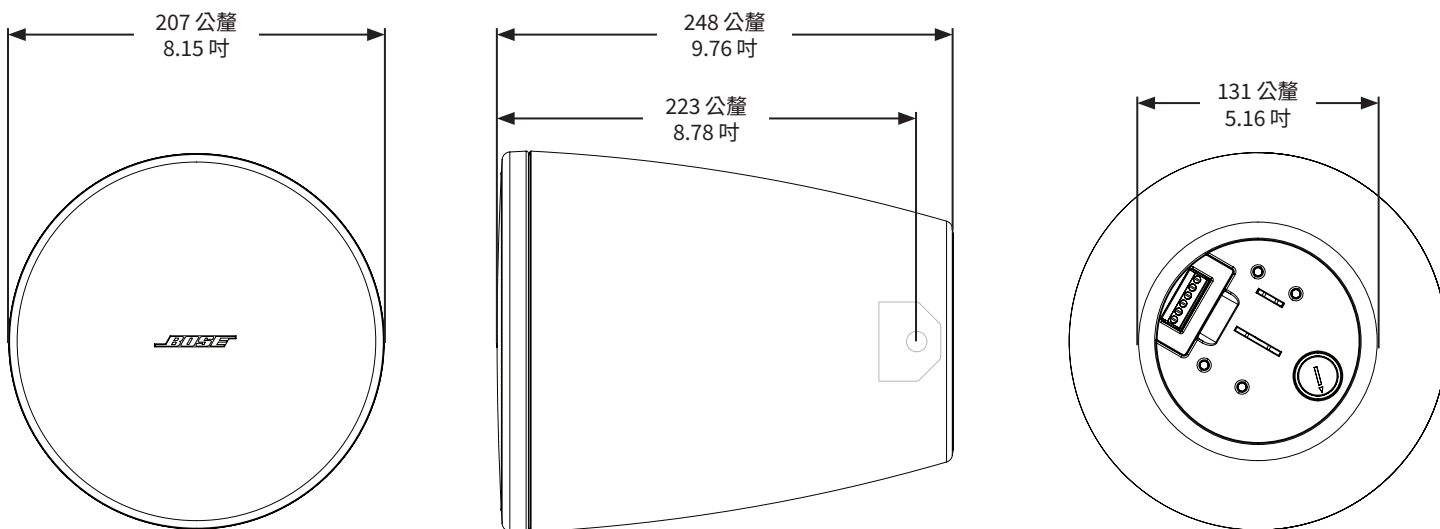
此產品享有有限保固。

如需保固詳細資料，請造訪 BoseProfessional.com/Warranty。

## 包裝內容物



## 產品尺寸



## 技術規格

如需其他規格資訊，請參閱 [BoseProfessional.com](http://BoseProfessional.com) 上的 DesignMax DM3P 技術資料表。

外觀	
產品尺寸	底部直徑: 207 公釐 (8.15 吋)
	高度: 248 公釐 (9.76 吋)
	頂部直徑: 131 公釐 (5.16 吋)
連接線尺寸	長度: 4.57 公尺 (15.00 呎)
	直徑: 2 公釐 (0.08 吋)
負載上限 (安全工作負載) <sup>1</sup>	45.36 公斤 (100.0 磅)
淨重, 揚聲器 (單個)	2.51 公斤 (5.53 磅)
裝運重量 (成對)	7.00 公斤 (15.43 磅)
運作溫度範圍	0 °C 至 50 °C (32 °F 至 122 °F)
顏色	黑色 (與 RAL 9005 類似); 白色 (與 RAL 9003 類似)
可上漆	請選用專為聚丙烯 (PP) 塑膠所設計的塗料。
環境	僅適用室內

1. 請一律在規定的安全工作負載範圍內使用纜線。產品隨附的懸吊纜線之安全工作負載為 100 磅。

## 重要安裝資訊



安裝揚聲器之前，請先閱讀第 38 頁的「重要安全指示」。

## 安全與規章遵循

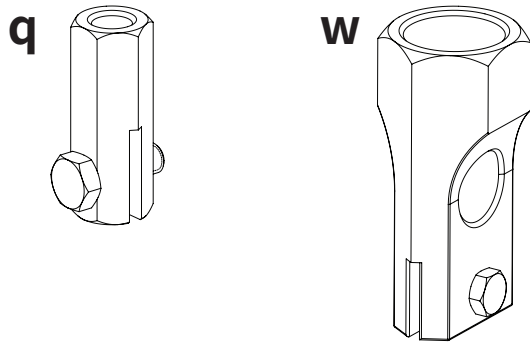
DesignMax DM3P 揚聲器通過測試，且符合下列規格及用途：

- 名列 ANSI/UL 1480A-2016 適合商業及安全專業用途的揚聲器
- 一般用途 - UL Category UEAY，案號 S36835
- 根據 NFPA 70 2017 年《National Electrical Code》(美國國家電氣規程) 第 640 條，適合使用 Class 1、Class 2、Class 3 配線方式安裝

## 選配安裝配件

**Q** 螺栓轉接頭

**W** 吊裝導管接頭



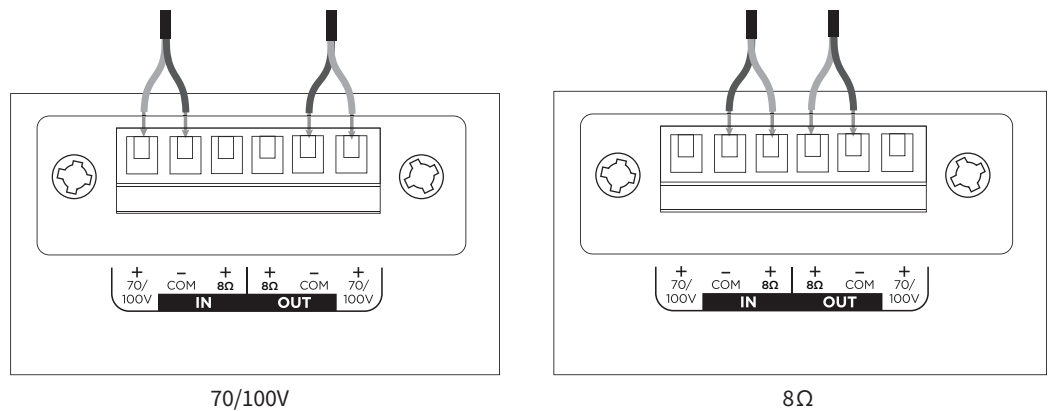
## 揚聲器接線

### 線規

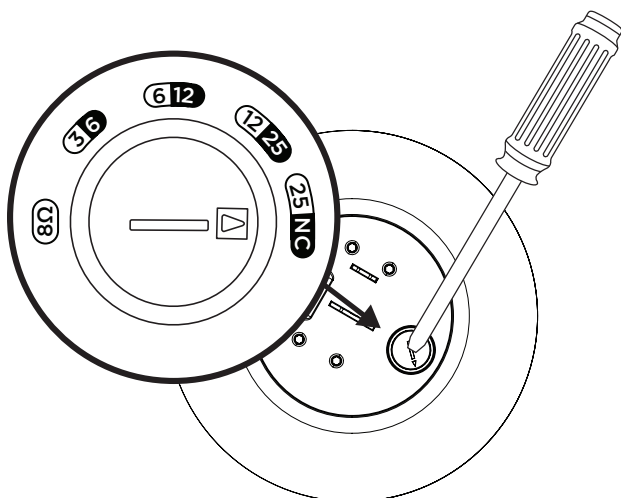
DesignMax DM3P 揚聲器的設計僅可使用 18 AWG (0.8 mm<sup>2</sup>) 至 14 AWG (2.1 mm<sup>2</sup>) 的線材。

### 接線圖

露出 6 公釐 (1/4 吋) 的裸線，以連接至端子。



## 揚聲器設定



70V				8Ω
3W	6W	12W	25W*	
6W	12W	25W	NC**	
100V				

\* 原廠預設

\*\* NC: 無連線 (請勿使用)

### 變壓器抽頭設定

轉動以設定抽頭功率。請使用平頭螺絲起子。



## 安裝準備

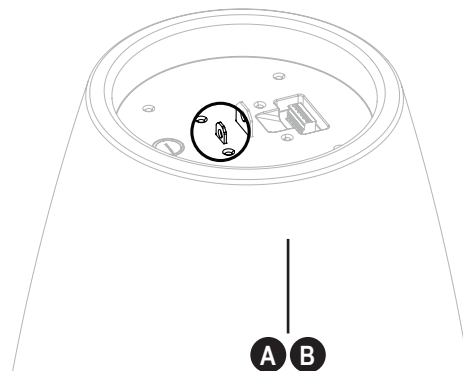
### 使用安全纜索

部分地區的建築法規要求使用輔助方式固定揚聲器以增強結構支撐力，加強安全性。請遵守當地的建築法規和規定，選擇合適的安裝位置、方式和五金部件。

Bose Professional 建議使用 (A) 安全索或 (B) 安全纜索來作為輔助固定機制 (未隨附)。請參見右圖，瞭解安全安裝點。

隨附的懸吊纜線若搭配螺柱轉接頭或吊裝導管轉接頭配件，則可作為安全纜索使用。

請遵守製造商的指示來施作任何輔助固定機制。



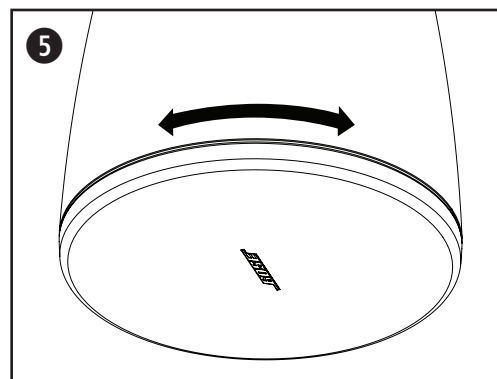
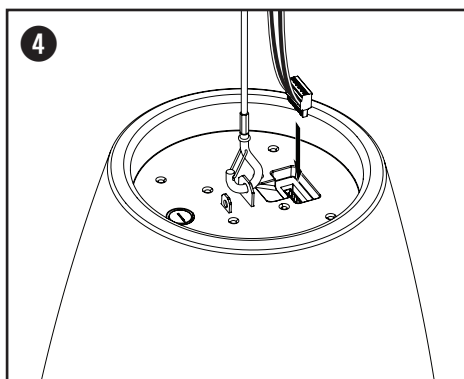
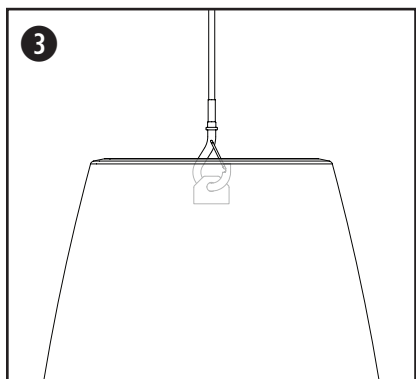
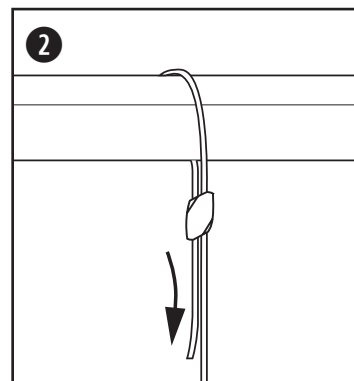
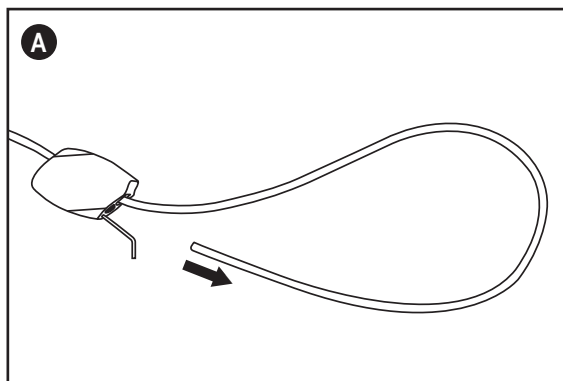
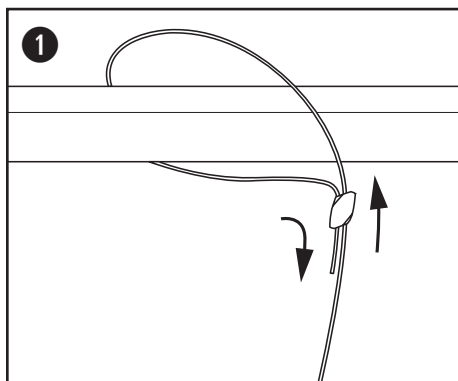
## 安裝揚聲器

著手安裝之前，請務必先調整揚聲器的功率抽頭設定。

- 將隨附的懸吊纜線插入纜線結線器之中，然後將纜線繞過支撐結構；接著，使用纜線結線器固定纜線。**備註：**纜線結線器上有箭頭指示纜線方向。  
A. 若要鬆開纜線，請將結線器工具插入釋放孔內，並調整纜線。
- 拉動懸吊纜線鬆弛的一端，將纜線調整至所需的高度。
- 將纜線夾固定於中心安裝點。將揚聲器調整至所需的高度之後，請裁除多餘的纜線。  
**備註：**裁切為一定的長度之後，請使用剪線器修剪所有磨損的電線線。
- 取下連接器，將連接線接入連接器，然後將連接器重新插入揚聲器。如需瞭解配線資訊，請參見第 40 頁「揚聲器接線」。  
**備註：**如需預留額外纜線長度，可繞圈收納於外殼頂部凹陷處。

使用隨附的纜線束帶，將接線固定於懸吊纜線。

- 旋轉網罩，使標誌方向符合您的安裝需求。  
**備註：**除非上漆之用，否則請勿移除網罩。標誌可從網罩表面撕下移除。



## 安全上の留意項目および使用方法をよく読み、いつでも参照できるように保管してください。

本製品は、専門の施工業者による設置のみを想定した製品です。本書は、一般的な固定設置システムにおける本製品の、基本的な設置と安全上のガイドラインを施工業者様に提供します。設置する前に、本書とすべての安全に関する警告をお読みください。

ご自身で製品を修理しないでください。修理が必要な際には、正規サービスセンター、Bose Professional認定の施工業者、技術者、ディーラーまたはディストリビューターにお問い合わせください。Bose Professionalに連絡する、またはお近くのディーラーまたはディストリビューターを検索するには、[BoseProfessional.com](http://BoseProfessional.com)にアクセスしてください。

1. 本書をよくお読みください。
2. 必要な時にご覧になれるよう、本書を保管してください。
3. すべての注意事項に留意してください。
4. すべての指示に従ってください。
5. この製品を水の近くで使用しないでください。
6. お手入れは乾いた布を使用して行ってください。
7. 通気孔は塞がないでください。製造元の指示に従って設置してください。
8. ラジエーター、暖房送風口、ストーブ、その他の熱を発生する装置（アンプを含む）の近くには設置しないでください。
9. 必ず製造元より指定された付属品、あるいはアクセサリのみをご使用ください。

## 仕様:

入力電圧: 70V/100V

インピーダンス: 8 Ω, 25 W

電流またはパワー: (70V): 3 W, 6 W, 12 W, 25 W, (100V): 6 W, 12 W, 25 W

## 規制に関する情報



This product conforms to all applicable EU directive requirements. The complete declaration of conformity can be found at: [www.Bose.com/compliance](http://www.Bose.com/compliance).



この製品は、すべての適用される電磁両立規則2016およびその他のすべての適用される英国の規制に準拠しています。完全な適合宣言書については、次のサイトを参照してください。

[www.Bose.com/compliance](http://www.Bose.com/compliance)



This symbol means the product must not be discarded as household waste, and should be delivered to an appropriate collection facility for recycling. Proper disposal and recycling helps protect natural resources, human health and the environment. For more information on disposal and recycling of this product, contact your local municipality, disposal service, or the shop where you bought this product.

製造日: シリアル番号の8桁目の数字は製造年を表します。「7」は2007年または2017年です。

EUにおける輸入元: Transom Post Netherlands B.V., Keizersgracht 391A, 1016 EJ, Amsterdam | 英国における輸入元: Transom Post Netherlands UK, Squires House 205a High Street, West Wickham, BR4 0PH | 日本における輸入元: Transom Post International Japan KK Co., Ltd. 東京都港区芝5-29-19 PMO田町IV | オーストラリアにおける輸入元: Transom Post Australia Pty. Ltd., Level 14, 60 Margaret Street, Sydney, NSW 2000 | 中国における輸入元: Transom Post (Shanghai) Audio Co. Ltd Room 2209, Building 1, 175 Longyao Road, Xuhui District, Shanghai | メキシコにおける輸入元: POST INTL MEXICO, S. DE R.L. DE C.V. Insurgentes Sur No. 1079, 1st floor, Colonia Noche Buena, Benito Juárez, C.P. 03270, Mexico City | UAEにおける輸入元: 102 A, Sama Tower Sheikh Zayed Road, Dubai UAE

Bose は Bose Corporation の商標です。

DesignMax は Transom Post OpCo LLC の商標です。

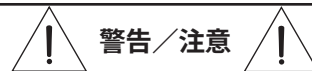
Bose Professional, 117 South St, Hopkinton, MA 01748 USA

©2024 Transom Post OpCo LLC. 本書のいかなる部分も、書面による事前の許可のない複製、変更、配布、その他の使用は許可されません。

## 保証情報

保証の内容および条件につきましては、付属の保証書をご覧ください。

保証の詳細については、[BoseProfessional.com/Warranty](http://BoseProfessional.com/Warranty)をご覧ください。



警告/注意



この製品には磁性材料が含まれています。体内に埋め込まれている医療機器への影響については、医師にご相談ください。



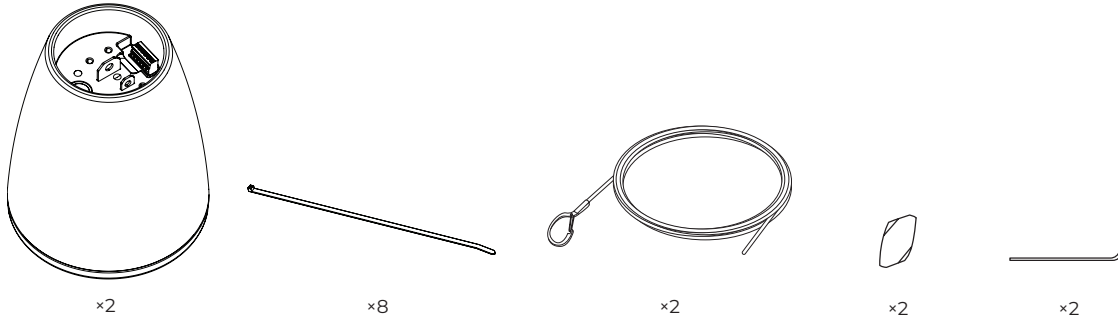
のどに詰まりやすい小さな部品が含まれています。3歳未満のお子様には適していません。

- この製品は屋内専用です。
- Bose Professional製品を設置する際は、必ず地域と業界指導の安全基準に従ってください。各地域の建築に関する条例や規制など、適用される全ての法律に従って本製品およびその取付金具を設置することは施工業者の責任です。本製品を設置する前に、各地域の管轄官庁に相談してください。
- 重量物の不安定な設置や頭上吊り下げは、重傷または死亡、および設備機器等への損傷の原因となる可能性があります。適用する設置方法の信頼性を評価することは、施工業者の責任です。適切な部品および安全な設置技術の知識を持つ専門の施工業者のみが、天井へのスピーカーの設置を行うことができます。
- 結露や水に晒される場所に本体を設置しないでください。
- 水漏れやしびれがかかるような場所でのこの製品を使用しないでください。また、液体が入った物品を製品の上や近くに置かないでください。
- 設置面の強度が不十分な場合や、設置面の裏側に電線や配管などの危険物が隠れている場合は、本製品を設置しないでください。各地域の建築に関する条例に従って、認定された専門業者によりブラケットが取り付けられていることを確認してください。
- DesignMax DM3Pには、本体付属またはBose Professional指定の取り付け部品およびアクセサリのみをご使用ください。使用可能なアクセサリの詳細については、[BoseProfessional.com](http://BoseProfessional.com)に用意されている本製品のテクニカルデータシートを参照してください。
- 火気や熱源などの近くで使用しないでください。火の付いたろうそくなどの火気、製品の上や近くに置かないでください。
- 許可なく製品を改造しないでください。
- スピーカーや取り付けコンポーネントを、潤滑剤、洗浄剤、接点復活剤、および酸化水素を基剤とする溶剤などを含む、Bose Professional指定外の化学物質にさらさないでください。製品がこうした物質に触れると、プラスチック素材の劣化につながり、ひび割れが生じて落下事故を招くおそれがあります。
- スピーカーの汚れ落としには、必ず乾いた布をお使いください。スピーカーを石けん、洗剤、鉱油、アルコールなどの洗浄剤、化学物質に触れる可能性がある場所で使用しないでください。

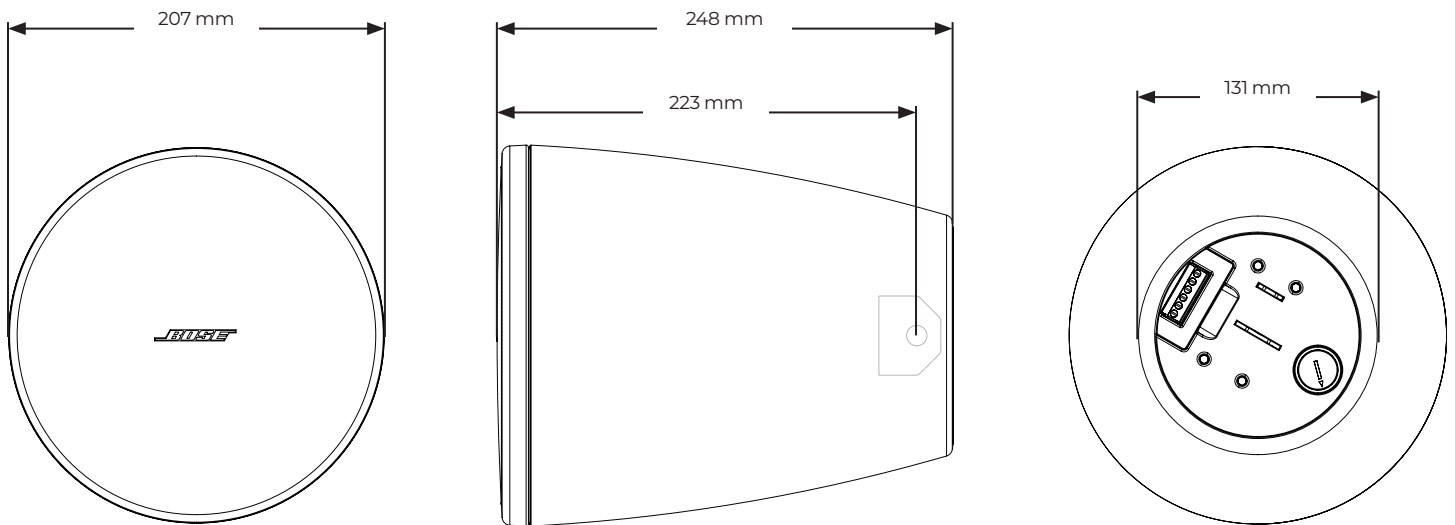
## ケーブルに関する注意事項:

- 水を使用する屋内エリア（屋内プール、屋内ウォータerpark、浴室、サウナ、スチームサウナ、屋内スケートリンクなど）でケーブルを設置または使用しないでください。
- クレーンや滑車などでの吊り上げ、または移動や動的な挙動を含む吊り下げ設置には使用しないでください。固定されたスピーカーの吊り下げのみで使用してください。
- 設置されたケーブルの上を歩いたり、立ったりしないでください。
- ケーブル留め具またはその他のケーブル組立部品に塗装を施さないでください。
- Bose Professional製品以外のケーブルシステムを使用する場合、同梱のケーブルシステムと同等またはそれ以上の荷重制限が要求されます。定格荷重については、「技術仕様」を参照してください。
- ケーブル留め具またはその他のケーブル組立品に、油やその他の潤滑油を塗らないでください。
- 2本のケーブルを接合しないでください。スピーカーのハングポイントごとに、ケーブル組立品を1つ使用してください。
- Bose Professionalの吊り下げスピーカーには吊り下げサスペンションケーブルのみを使用してください。

## パッケージ内容



## 製品寸法



## 技術仕様

詳細な仕様は、[BoseProfessional.com](http://BoseProfessional.com)に用意されている、DesignMax DM3Pのテクニカルデータシートを参照してください。

物理的仕様	
製品寸法	底面直径: 207 mm
	高さ: 248 mm
	上面直径: 131 mm
ケーブルの寸法	長さ: 4.57 m
	直径: 2 mm
最大荷重 (定格荷重) <sup>1</sup>	45.36 kg
質量、スピーカー (シングル)	約2.51 kg
梱包質量 (ペア)	約7.00 kg
動作温度範囲	0 °C~50 °C (32 °F~122 °F)
色	ブラック (RAL 9005類似)、 ホワイト (RAL 9003類似)
塗装可能	ポリプロピレン (PP) プラスチック向けの塗料 を選択してください。
使用可能環境	屋内専用

1. ケーブルは、必ず定められた定格荷重内で使用してください。付属のサスペンションケーブルの定格荷重は約45kgです。

## 設置に関する重要な情報



スピーカーを設置する前に、42ページの**安全上の重要な注意事項**をご確認ください。

## 安全上のコンプライアンス

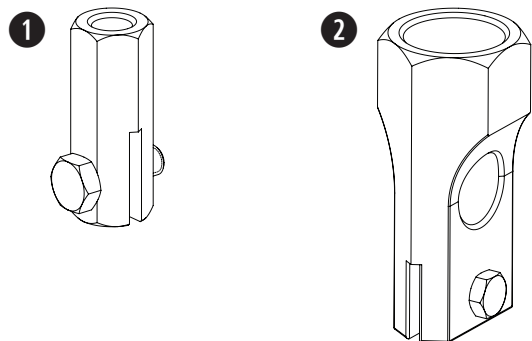
DesignMax DM3Pは幅広いテストに合格しており、次の仕様と使用例に準拠しています。

- ANSI/UL 1480A-2016のSpeakers for Commercial & Safety Professional Useに準拠
- 一般用途向けの使用 - UL Category UEAY, File Number S36835
- NFPA 70、米国電気工事規程 (2017年、第640条) に準拠したクラス1、クラス2、クラス3の配線による設置に対応

## オプションの設置用アクセサリ

### ①ねじ棒アダプタ

### ②ペンダントコンジットアダプタ



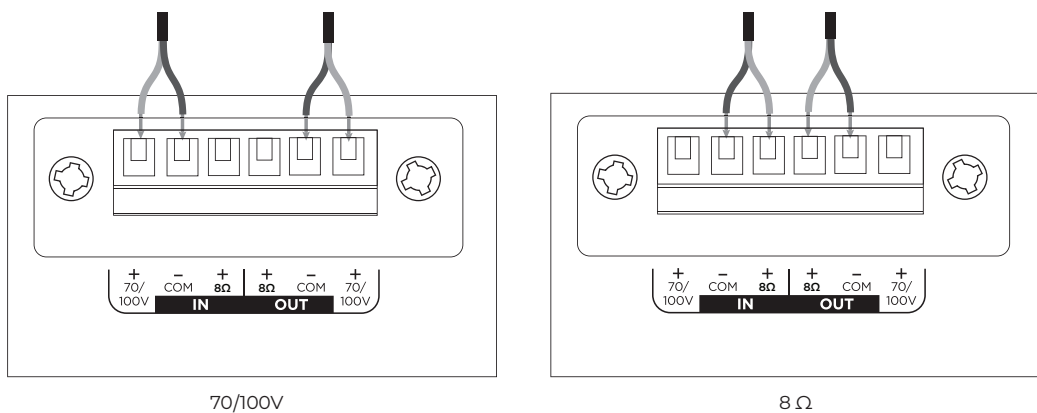
## スピーカーの配線

### ケーブルゲージ

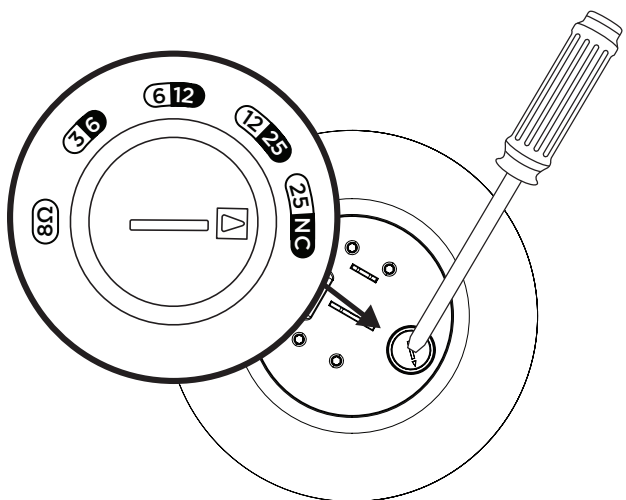
DesignMax DM3Pで使用できるケーブル径は、18 AWG (0.8 mm<sup>2</sup>) ~14 AWG (2.1 mm<sup>2</sup>) のみです。

### 接続図

裸線を長さ6 mm (1/4インチ) 露出して端子に接続します。



## スピーカーの設定



70V				
3W	6W	12W	25W*	8Ω
6W	12W	25W	NC**	
100V				

\*工場出荷時設定

\*\*NC: 未接続(使用しない)

### トランスフォーマータップの設定

回転させてタップを設定します。マイナスドライバーを使用します。

## 設置の準備

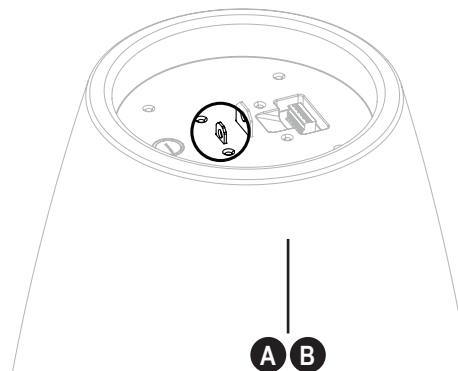
### 安全ケーブルの使用

お住まいの地域により、安全性の強化のため、スピーカーの構造物に対する固定に二次的な方法も用いることが法令により義務づけられている場合があります。適用される建築基準や規制を満たす設置場所や設置方法、器具を選択してください。

安全確保のための補助的な器具として、(A) 落下防止ワイヤー、(B) 安全ケーブルのいずれかの使用をお勧めします（付属していません）。安全器具の取り付けポイントについては、右の図を参照してください。

付属のサスペンションケーブルは、アクセサリのねじ棒アダプタまたはペンダントコンジットアダプタを使用する場合、安全ケーブルとして使用できます。

補助的な安全器具をご使用になる際は、製造元の指示に従ってください。



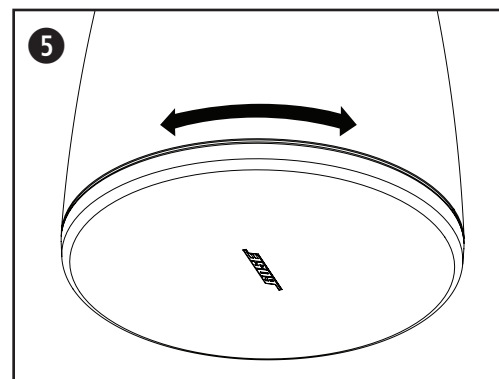
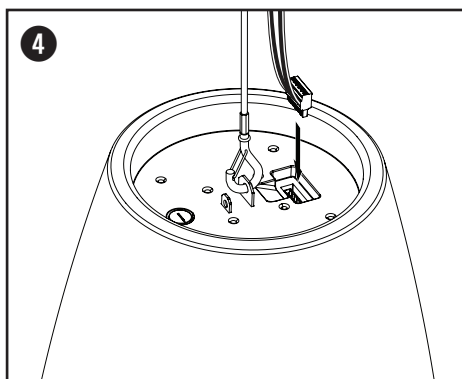
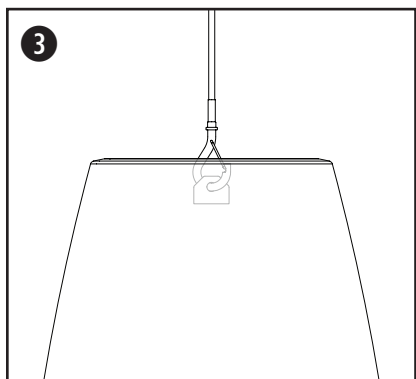
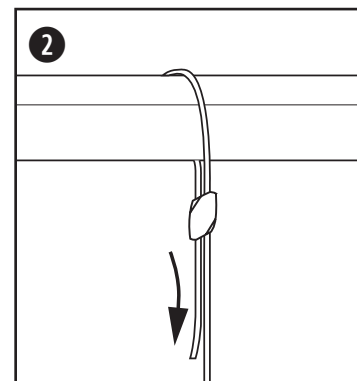
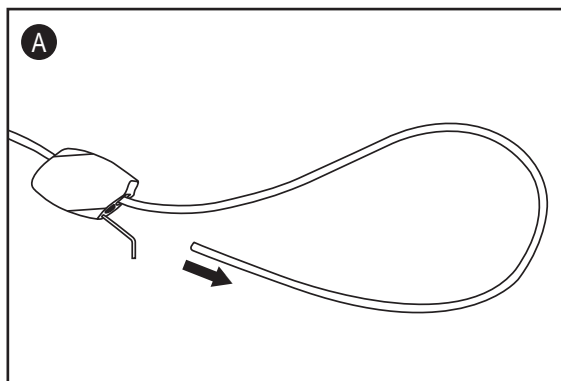
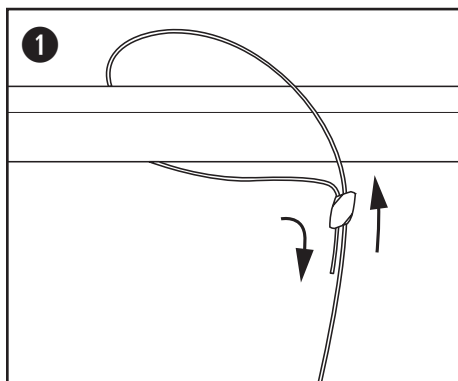
### スピーカーの取り付け

取り付けを開始する前に、必ず、スピーカータップ設定を調整してください。

- ケーブル留め具に付属のサスペンションケーブルを差し込み、支持構造にケーブルを巻き付けることで、ケーブル留め具を使用してケーブルを固定します。**注:** ケーブル留め具の矢印は、ケーブルの方向を示しています。  
A. ケーブルを緩めるには、留め具ツールをリリース穴に差し込んでケーブルを調整します。
- 吊り下げ用ケーブルの固定されていない方の端を引っ張り、ケーブルを目的の高さまで調整します。
- ケーブルクリップを中央の取り付けポイントに取り付けます。スピーカーが目的の高さに到達したら、余分なケーブルを切断します。  
**注:** 長さを調整した後、ワイヤーカッターで摩耗したフィラメントを切り落としてください。
- スピーカーからコネクタを外し、ケーブルを配線し、コネクタを元に戻します。配線について詳しくは、44ページの「スピーカーの配線」を参照してください。  
**注:** サービسلープを使用する場合は、スピーカー筐体の上面にあるくぼみに収納できます。

付属のケーブル結束バンドを使用して、配線ケーブルを吊り下げ用ケーブルに固定します。

- グリルを回転させて、ロゴを設置に適した向きにします。  
**注:** 塗装以外でグリルを取り外さないでください。ロゴは、グリル表面から剥がして取り外すことができます。



يُرجى قراءة كل إرشادات السلامة والاستخدام والاحتفاظ بها.

هذا المنتج مصمم للتركيب من قِبَل فنيي التركيب المتخصصين فقط. يهدف هذا المستند إلى تزويد فنيي التركيب المحترفين بإرشادات التركيب والسلامة الأساسية لهذا المنتج في أنظمة التركيب الثابت النموذجية. يُرجى قراءة هذا المستند وكل تحذيرات السلامة قبل محاولة التركيب.

لا تحاول صيانة هذا الجهاز بنفسك. بل قم بإحالة جميع أعمال الصيانة إلى مراكز الخدمات أو متخصصي التركيب أو الفنيين أو الوكلاء أو الموزعين المعتمدين. للتواصل مع خبير من Bose Professional أو للعثور على وكيل أو موزع بالقرب منك، تفضل بزيارة الموقع BoseProfessional.com.

1. اقرأ التعليمات.

2. واحتفظ بها.

3. انتبه إلى كل التحذيرات.

4. التزم بجميع التعليمات.

5. لا تستخدم هذا الجهاز بالقرب من الماء.

6. لا تستخدم سوى قطعة قماش جافة لتنظيف الجهاز.

7. لا تقم بسد أي فتحات للتهوية. ركب المنتج وفقاً لإرشادات الشركة المصنّعة.

8. لا تتركب المنتج بالقرب من أي مصادر للحرارة، مثل أجهزة التدفئة أو فتحات التدفئة أو المواقد أو غيرها من الأجهزة (بما في ذلك مضخمات الصوت) التي ينتج عنها حرارة.

9. لا تستخدم سوى المرفقات والملحقات التي تحددها الشركة المصنّعة.

تصنيفات المنتج:

الجهد الكهربائي للإدخال: 70 فولت/100 فولت

المعاوقة: 8 أوم، 25 واط

التيار أو الطاقة: (70 فولت): 3 واط، 6 واط، 12 واط، 25 واط؛ (100 فولت): 6 واط، 12 واط، 25 واط

المعلومات التنظيمية

يتوافق هذا المنتج مع كل متطلبات توجيه الاتحاد الأوروبي المعمول بها. ويمكنك العثور على البيان الكامل للتوافق على: [www.Bose.com/compliance](http://www.Bose.com/compliance)



يتوافق هذا المنتج مع جميع لوائح التوافق الكهرومغناطيسي المعمول بها لعام ٢٠١٦ وجميع لوائح المملكة المتحدة الأخرى المعمول بها. ويمكن العثور على إعلان المطابقة الكامل في الموقع التالي: [www.Bose.com/compliance](http://www.Bose.com/compliance)



هذا الرمز يعني أنه يجب عدم التخلص من المنتج مع النفايات المنزلية، بل يجب تسليمه إلى مرفق جمع نفايات مناسبة لإعادة تدويره. يساعد التخلص السليم من المنتج وإعادة تدويره على الحفاظ على الموارد الطبيعية وصحة البشر والبيئة. لمزيد من المعلومات حول التخلص من هذا المنتج وإعادة تدويره، تواصل مع البلدية المحلية أو خدمة التخلص من النفايات لديك أو المتجر الذي اشتريته منه هذا المنتج.



تاريخ الصنع: يشير الرقم الثامن في الرقم التسلسلي إلى سنة التصنيع؛ حيث يشير الرقم "7" إلى 2007 أو 2017

المستورد في أوروبا: Transom Post Netherlands B.V., Keizersgracht 391A, 1016 EJ, Amsterdam  
المستورد في المملكة المتحدة: Transom Post Netherlands UK, Squires House 205a High Street, West Wickham, BR4 0PH  
في اليابان: Transom Post International Japan KK Co., Ltd. PMO Tamachi IV  
في أستراليا: Transom Post Australia Pty. Ltd., Level 14, 60 Margaret Street, Sydney, NSW 2000  
الصين: Transom Post (Shanghai) Audio Co. Ltd Room 2209, Building 1, 175 Longyao Road, Xuhui District  
POST INTL في المكسيك: MEXICO, S. DE R.L. DE C.V. Insurgentes Sur No. 1079, 1st floor, Colonia Noche Buena, Benito Juárez, C.P. 03270  
الإمارات العربية المتحدة شقة 102، برج سما، طريق الشيخ زايد، دبي، الإمارات العربية المتحدة  
Bose هي علامة تجارية لشركة Bose Corporation.

DesignMax هي علامة تجارية لشركة Transom Post OpCo LLC

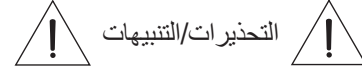
Bose Professional, 117 South St, Hopkinton, MA 01748 USA

حقوق الطبع والنشر © لعام ٢٠٢٤ لشركة Transom Post OpCo LLC. يجب عدم استنساخ أي جزء من هذا المستند أو تعديله أو توزيعه أو حتى استخدامه بدون إذن خطي مسبق.

معلومات حول الضمان

يأتي هذا المنتج مع ضمان محدود.

للحصول على تفاصيل حول الضمان، تفضل بزيارة [BoseProfessional.com/Warranty](http://BoseProfessional.com/Warranty).



التحذيرات/التنبيهات

يحتوي هذا المنتج على مادة مغناطيسية. استشير طبيبك لمعرفة ما إذا كان سيؤثر ذلك في الجهاز الطبي المزروع في جسمك.



يحتوي المنتج على أجزاء صغيرة قد تتسبب في حدوث خطر الاختناق. غير مناسب للأطفال دون عمر 3 سنوات.



- هذا المنتج مخصص للاستخدام الداخلي فقط.
- يجب تركيب كل منتجات Bose Professional وفقاً للوائح المحلية والحكومية والفيدرالية والصناعية. يتحمل فني التركيب المتخصص مسؤولية ضمان تركيب مكبرات الصوت ونظام التنبيت بالتوافق مع كل القوانين المطبقة، بما في ذلك قوانين ولوائح البناء المحلية. يرجى مراجعة السلطة المحلية صاحبة الاختصاص قبل تركيب هذا المنتج.
- قد يتسبب التركيب أو التعليق العلوي غير الآمن لأي حمل ثقيل بوقوع إصابات خطيرة أو الوفاة، وتلف الممتلكات. وتقع على عاتق فني التركيب مسؤولية تقييم مدى موثوقية أي طريقة تنبيت يتم استخدامها. لا يسمح سوى لاختصاصيي التنبيت المحترفين الذين يتمتعون بالمعرفة الكافية بالأدوات المناسبة وطرق التركيب الآمنة، بتنبيت مكبرات الصوت بطريقة التعليق.

- تجنب تركيب المنتج في مواقع قد يتعرض فيها للماء أو التكتاف.
- لا تعرض هذا المنتج لظفر السوائل المتساقطة أو المتناثرة ولا تضع أوعية مليئة بالسوائل على المنتج أو بالقرب منه.

- لا تقم بالتركيب على أسطح غير قوية أو توجد خلفها مخاطر خفية، مثل الأسلاك الكهربائية أو أنابيب المياه. احرص على أن يقوم فني تركيب معترف وموئل بتركيب الكتيفة وبما يتوافق مع قوانين البناء المحلية.

- لا تستخدم سوى المعدّات والملحقات المضمّنة أو المحددة من قِبَل Bose Professional للاستخدام مع مكبرات الصوت DesignMax DM3P. للحصول على معلومات حول الملحقات المتوافقة، راجع ورقة البيانات الفنية الخاصة بالمنتج على [BoseProfessional.com](http://BoseProfessional.com).

- أبقِ المنتج بعيداً عن مصادر اللهب والحرارة. يجب عدم وضع أية مصادر للهب المكشوف، مثل الشموع المشتعلة، فوق المنتج أو بالقرب منه.

- لا تعتمد إلى إجراء أي تعديلات غير مصرّح بها على هذا المنتج.

- لا تعرض مكبر الصوت أو مكونات التركيب لأي مواد كيميائية غير تلك التي تحددها شركة Bose Professional، بما في ذلك على سبيل المثال لا الحصر، مواد التزييت أو مواد التنظيف أو بخاخات التلامس، أو المذيبات القائمة على الهيدروكربون. فقد يؤدي التعرض لمواد مماثلة إلى تحلل المواد البلاستيكية، مما قد يتسبب بتصدع المنتج في وقت مبكر ويخطر السقوط.

- لا تنظف مكبرات الصوت إلا باستخدام قطعة قماش جافة. ولا تعرض مكبر الصوت للصابون أو المنظفات أو الزيوت المعدنية أو الكحول أو غيرها من مواد التنظيف أو المواد الكيميائية.

تحذيرات خاصة بالكبلات

- إن الكبل غير مصمم للتركيب أو الاستخدام في مناطق مرافق المياه المغلقة (بما في ذلك، على سبيل المثال لا الحصر، حمامات السباحة المغلقة والحدائق المائية المغلقة وأحواض الاستحمام الساخنة وغرف الساونا وغرف البخار وحلبات التزلج الداخلية).

- لا تستخدمه لرفع أراض، مثل رافعة أو بكرة، أو لتعليق التركيبات التي تتضمن حركة أو تتميز بسلوك ديناميكي. مصمم لتعليق مكبرات الصوت فقط.

- لا تمشي على تركيب الكبل أو تقف عليها.

- لا تضع الطلاء على مثبت الكبل أو أي جزء آخر من مجموعة الكبل.

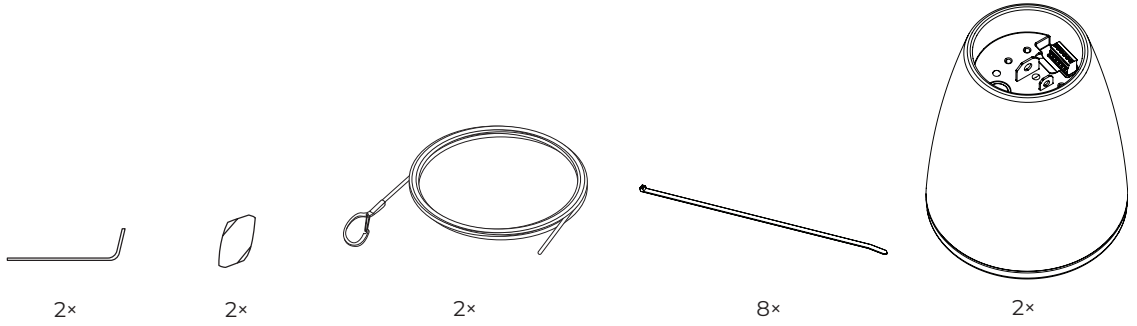
- في حال استخدام كبلات غير كبلات Bose Professional، يجب أن يكون حد الحمولة التشغيلية مساوياً أو أكبر من الكبلات المزودة. راجع المواصفات الفنية للحمولة التشغيلية الآمنة.

- لا تضع الزيت أو أي زيوت تشحيم أخرى على مثبت الكبل أو أي جزء آخر من مجموعة الكبل.

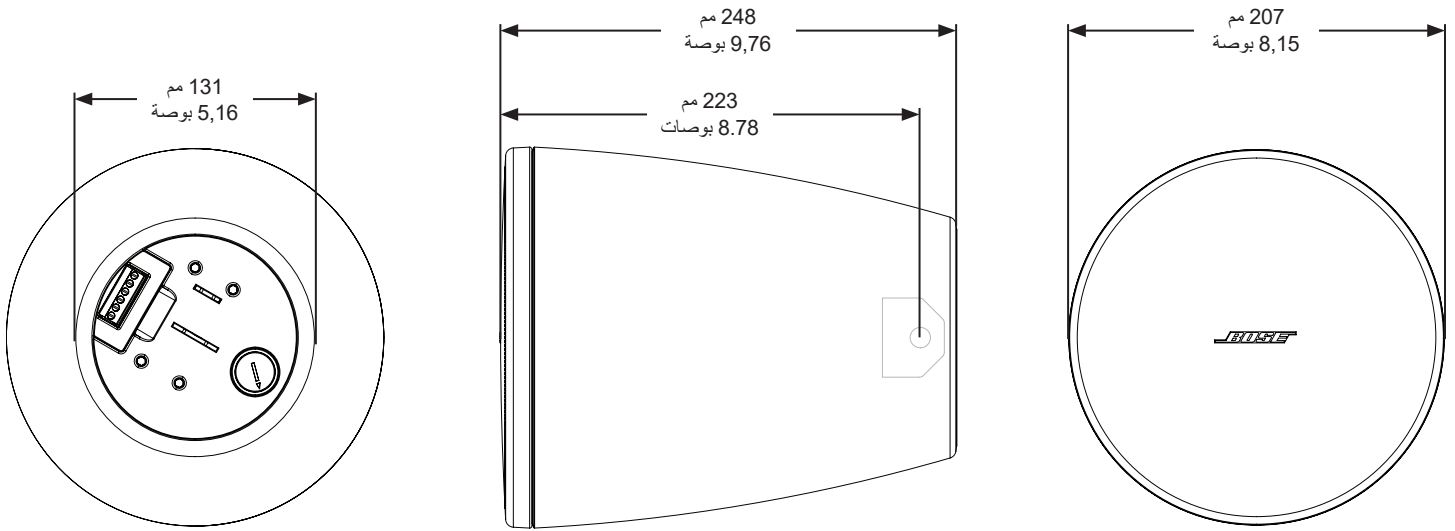
- لا تجمع كبلين سوياً على الإطلاق. لا تستخدم سوى مجموعة كبل واحدة لكل نقط تعليق في مكبر الصوت.

- لا تستخدم كبل التعليق المتبلي إلا مع مكبرات صوت متدلية من Bose Professional.

## محتويات العبوة



## أبعاد المنتج



## معلومات هامة حول التركيب

قبل تركيب مكبر الصوت، راجع القسم إرشادات مهمة حول السلامة في الصفحة 46.



## السلامة والامتثال التنظيمي

- اجتاز مكبر الصوت DesignMax DM3P من الاختبارات ويتوافق مع المواصفات والاستخدامات التالية:
- مدرج ضمن معيار ANSI/UL 1480A-2016، لمكبرات الصوت ذات الاستخدام التجاري والاحترافي الموفر للسلامة
- الاستخدام لأغراض عامة - UEAY من الفئة UL، رقم الملف S36835
- مناسب للتركيب باستخدام طرق توصيل الأسلاك من الفئة 1 والفئة 2 والفئة 3 بما يتوافق مع NFPA 70، المواصفات القياسية الكهربائية الأمريكية، لعام 2017، المادة 640

## المواصفات الفنية

للحصول على مواصفات إضافية، راجع ورقة البيانات الفنية لمكبر الصوت DesignMax DM3P على [BoseProfessional.com](http://BoseProfessional.com).

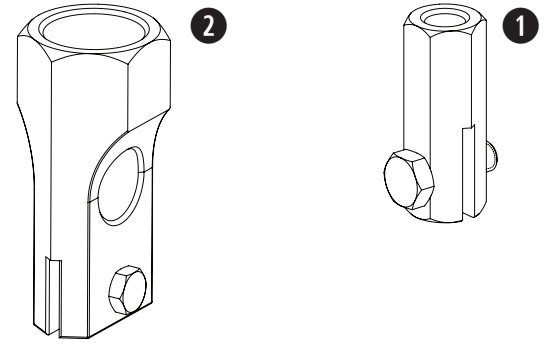
فني	أبعاد المنتج
القطر السفلي: 207 مم بوصة (8,15)	
الارتفاع: 248 مم بوصة (9,76)	
القطر العلوي: 131 مم بوصة (5,16)	
الطول: 4,57 م (15,00 قدمًا)	أبعاد الكبل
القطر: 2 مم (بوصات 0,08)	
الحمولة القصوى (الحمولة التشغيلية الآمنة) <sup>1</sup>	الحمولة القصوى (رطل) 45,36 (100,0)
الوزن الصافي، مكبر الصوت (مفرد)	2,51 كجم (5,53 رطلًا)
وزن الشحن (زوج)	7,00 كجم (15,43 رطلًا)
نطاق درجة حرارة التشغيل	0 درجة مئوية إلى 50 درجة مئوية
اللون	أسود (مثل RAL 9005)؛ أبيض (مثل RAL 9003)
قابل للطلاء	اختر طلاء مصممًا خصيصًا للاستخدام مع بلاستيك البولي بروبيلين.
البيئة	للاستخدام الداخلي فقط

<sup>1</sup> استخدم دائمًا الكبلات ضمن نطاق الحمولة التشغيلية الآمنة المنصوص عليها. يتميّز كبل التعليق المضمن بحمولة تشغيلية آمنة تبلغ 100 رطل.

## ملحقات التركيب الاختيارية

1 محول قضيب ملول

2 محول قناة متدل



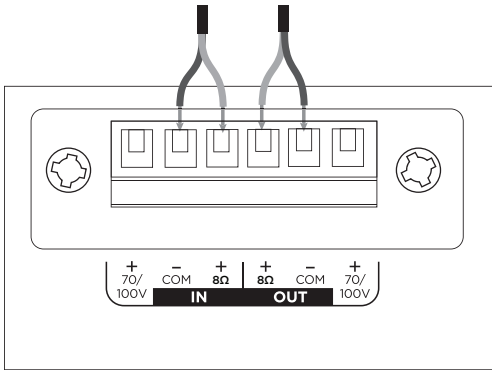
## توصيل أسلاك مكبر الصوت

## قياس الأسلاك

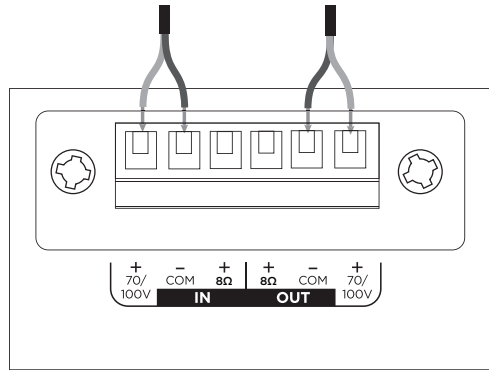
تم تصميم مكبر الصوت DesignMax DM3P حتى يعمل بأسلاك مقاس 18 بمعيار السلك الأمريكي (0,8 مم<sup>2</sup>) إلى 14 بمعيار السلك الأمريكي (2,1 مم<sup>2</sup>) فقط.

## مخططات التوصيل

اكتشف ستة ملليمترات (4/1 بوصة) من السلك العاري لتوصيله بالأطراف.



8 أوم



100/70 فولت

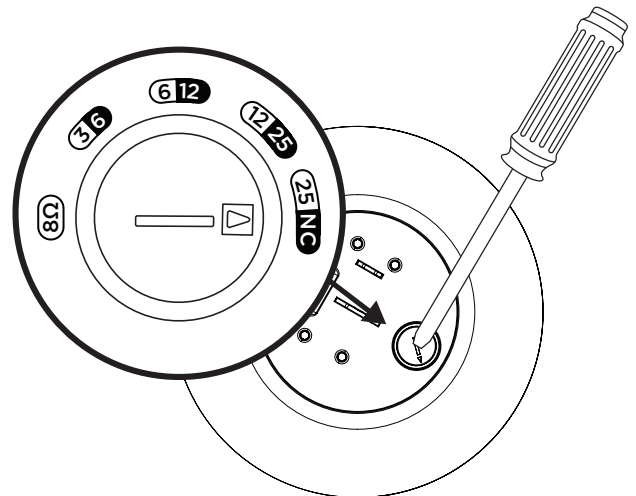
## إعدادات مكبر الصوت

		70 فولت			
8 أوم		25 واط*	12 واط	6 واط	3 واط
	**NC		25 واط	12 واط	6 واط
		100 فولت			

\* القيمة الافتراضية للشركة المصنعة \*\*NC: بدون توصيل (لا تستخدمه)

## إعداد تفريع المحوّل

ثبّت التفريع بإدارته. استخدم مفك براغي برأس مسطح.





## تحضير التركيب

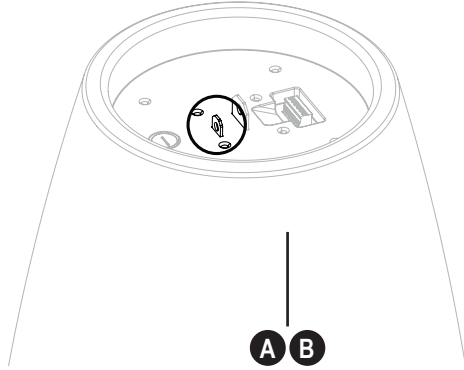
## استخدام كبل الأمان

تتطلب بعض قوانين البناء الإقليمية استخدام طريقة ثانوية لتثبيت مكبرات الصوت بإحكام، بهدف دعم الهياكل وتوفير مستوى إضافي من الأمان. اختر وضعية وطريقة ومعدات للتركيب متوافقة مع قوانين ولوائح البناء المحلية.

توصي Bose Professional باستخدام (A) سلك أمان أو (B) كبل أمان كآلية تثبيت ثانوية (غير مضمّن). راجع الرسم البياني الموجود في الجهة اليسرى لمعرفة نقاط التثبيت الآمنة.

يمكن استخدام كبل التعليق المضمّن ككبل أمان عند استخدام محول القضيبي المولوب أو ملحقات محول القناة المتدلي.

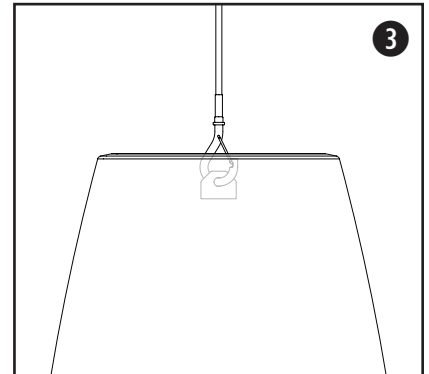
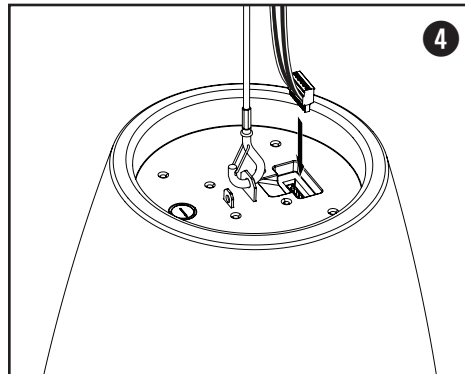
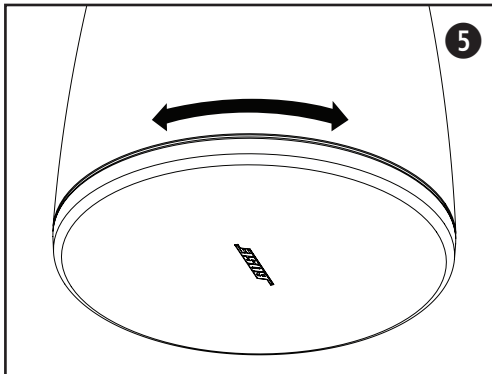
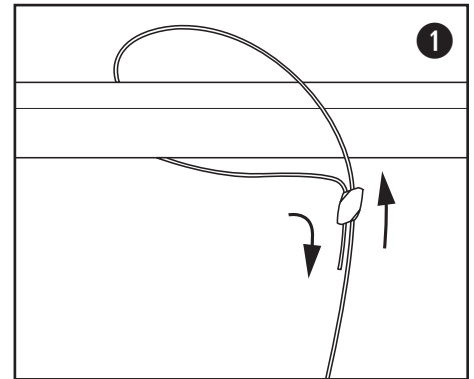
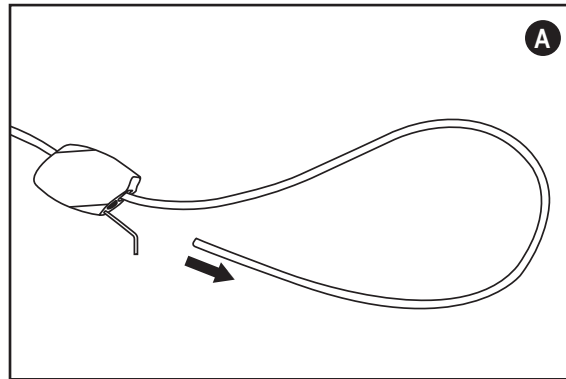
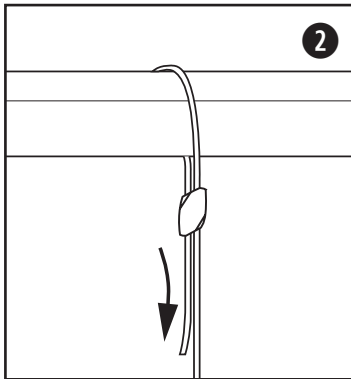
اتبع إرشادات الجهة المصنّعة عند استخدام أي آلية تثبيت ثانوية.



## تركيب مكبر الصوت

قبل بدء التركيب، تأكد من ضبط إعداد مأخذ مكبر الصوت.

1. أدخل كبل التعليق المضمّن عبر مثبت الكبل وقم بلفه حول هيكل دعم؛ أحكم تثبيت الكبل باستخدام مثبت الكبل. **ملاحظة:** تشير الأسهم المتوفرة على مثبت الكبل إلى اتجاه الكبل. لإرخاء الكبل، أدخل أداة التثبيت في فتحة التحرير واضبط الكبل A.
  2. اسحب الطرف السائب من كبل التعليق لضبط الكبل على الارتفاع المطلوب.
  3. ثبت مشبك الكبل بمرکز نقطة التوصيل. عند بلوغ الارتفاع المطلوب لمكبر الصوت، اقطع الطرف الزائد من الكبل. **ملاحظة:** اقطع أي خيوط منسلة بواسطة قواطع الأسلاك بعد قص الكبل إلى الطول المطلوب.
  4. قم بإزالة الموصل وربطه وإعادة إدخاله في مكبر الصوت. للحصول على معلومات حول توصيل الأسلاك، راجع توصيل أسلاك مكبر الصوت في الصفحة 48. **ملاحظة:** إذا كنت تنوي استخدام حلقة خدمة، فيمكن تخزينها في تجويف مكبر الصوت في أعلى العلبة.
- استخدم روابط الكبلات المضمّنة لتثبيت الأسلاك بكبل التعليق.
5. اعمل على تدوير الحاجز الشبكي بحيث يكون الشعار في الاتجاه المناسب للتركيب. **ملاحظة:** لا تنزل الحاجز الشبكي إلا عند الطلاء. يمكن إزالة الشعار من الحاجز الشبكي عبر نزعها عن سطح الحاجز الشبكي.









892014-0010