



FreeSpace FS2P

Pendant Loudspeaker

| | |
|------------------------------|----|
| Installation Guide..... | 2 |
| Guía de instalación..... | 7 |
| Notice d'installation..... | 12 |
| Installationsanleitung..... | 17 |
| Guida all'installazione..... | 22 |
| Installatiehandleiding..... | 27 |

| | |
|---------------------------|--------------|
| Monteringsveiledning..... | 32 |
| Instrukcja montażu..... | 37 |
| 安装指南..... | 42 |
| 安装指南..... | 47 |
| 設置ガイド..... | 52 |
| 57..... | دليل التركيب |

Please read and keep all safety and use instructions.

This product is intended for installation by professional installers only! This document is intended to provide professional installers with basic installation and safety guidelines for this product in typical fixed-installation systems. Please read this document and all safety warnings before attempting installation.

Do not attempt to service this product yourself. Refer all servicing to authorized service centers, installers, technicians, dealers or distributors. To contact Bose Professional or to find a dealer or distributor near you, visit boseprofessional.com.

1. Read these instructions.
2. Keep these instructions.
3. Heed all warnings.
4. Follow all instructions.
5. Do not use this apparatus near water.
6. Clean only with a dry cloth.
7. Do not block any ventilation openings. Install in accordance with the manufacturer's instructions.
8. Do not install near any heat sources such as radiators, heat registers, stoves, or other apparatus (including amplifiers) that produces heat.
9. Only use attachments/accessories specified by the manufacturer.



WARNINGS/CAUTIONS



This product contains magnetic material. Consult your physician on whether this might affect your implantable medical device.



Contains small parts which may be a choking hazard. Not suitable for children under age 3.

- This product is intended for indoor use only.
- All Bose Professional products must be installed in accordance with local, state, federal and industry regulations. It is the installer's responsibility to ensure installation of the loudspeakers and mounting system is performed in accordance with all applicable codes, including local building codes and regulations. Consult the local authority having jurisdiction before installing this product.
- Unsafe mounting or overhead suspension of any heavy load can result in serious injury or death, and property damage. It is the installer's responsibility to evaluate the reliability of any mounting method used for their application. Only professional installers with the knowledge of proper hardware and safe mounting techniques should attempt to install any loudspeaker overhead.
- Do not mount the product in locations where it may be exposed to water or condensation.
- Do not expose this product to dripping or splashing, and do not place objects filled with liquids, such as vases, on or near the product.
- Do not mount on surfaces that are not sturdy, or that have hazards concealed behind them, such as electrical wiring or plumbing. Ensure the bracket is installed by a qualified professional installer and in accordance with local building codes.
- Use only the hardware and accessories included or specified by Bose Professional for use with FreeSpace FS2P loudspeakers. For information on compatible accessories, see the product's technical data sheet at boseprofessional.com.
- Keep the product away from fire and heat sources. Do not place naked flame sources, such as lighted candles, on or near the product.
- Do not make unauthorized alterations to this product.
- Do not expose loudspeaker or mounting components to any chemical substances that are not specified by Bose Professional, including but not limited to lubricants, cleaning agents, contact sprays, or hydrocarbon-based solvents. Exposure to such substances can lead to degradation of the plastic material, resulting in cracking and creating a falling hazard.
- Clean speakers using only a dry cloth. Do not expose loudspeaker to soap, detergent, mineral oil, alcohol or other cleaning agents or chemicals.

Cable-specific Warnings:

- The cable is not intended for installation or use in indoor water facility areas (including, without limitation, indoor pools, indoor water parks, hot tub rooms, saunas, steam rooms and indoor skating rinks).
- Do not use for lifting, such as a crane or pulley, or for hanging installations that include movement or dynamic behavior. Intended for hanging static loudspeakers only.
- Do not walk or stand on the cable installation.
- Do not paint the cable fastener or any other part of the cable assembly.
- If using a cable system not supplied by Bose Professional, the working load limit must be equal to or greater than the supplied cable system.
- Do not apply oil or any other lubricant to the cable fastener or any other part of the cable assembly.
- Never join two cables together. Only use one cable assembly per loudspeaker hang point.
- Only use the pendant suspension cable with Bose Professional pendant loudspeakers.


Product Ratings:


Input Voltage: 70V/100V


Impedance: 16 Ω, 16 W

Current or Power: (70V): 1W, 2W, 4W, 8W, 16W; (100V): 2W, 4W, 8W, 16W

Regulatory Information

 This product conforms to all applicable EU directive requirements. The complete declaration of conformity can be found at the product-specific page: BoseProfessional.com.


 This product conforms to all applicable Electromagnetic Compatibility Regulations 2016 and all other applicable UK regulations. The complete declaration of conformity can be found at the product-specific page: BoseProfessional.com

 This symbol means the product must not be discarded as household waste, and should be delivered to an appropriate collection facility for recycling. Proper disposal and recycling helps protect natural resources, human health and the environment. For more information on disposal and recycling of this product, contact your local municipality, disposal service, or the shop where you bought this product.

China Restriction of Hazardous Substances Table

| Names and Contents of Toxic or Hazardous Substances or Elements | | | | | | |
|---|-----------|--------------|--------------|---------------------|-------------------------------|-------------------------------------|
| Toxic or Hazardous Substances and Elements | | | | | | |
| Part Name | Lead (Pb) | Mercury (Hg) | Cadmium (Cd) | Hexavalent (CR(VI)) | Polybrominated Biphenyl (PBB) | Polybrominated diphenylether (PBDE) |
| PCBs | X | 0 | 0 | 0 | 0 | 0 |
| Metal Parts | X | 0 | 0 | 0 | 0 | 0 |
| Plastic Parts | 0 | 0 | 0 | 0 | 0 | 0 |
| Speakers | X | 0 | 0 | 0 | 0 | 0 |
| Cables | X | 0 | 0 | 0 | 0 | 0 |

This table is prepared in accordance with the provisions of SJ/T 11364.
 0: Indicates that this toxic or hazardous substance contained in all of the homogeneous materials for this part is below the limit requirement of GB/T 26572.
 X: Indicates that this toxic or hazardous substance contained in at least one of the homogeneous materials used for this part is above the limit requirement of GB/T 26572.



Taiwan Restriction of Hazardous Substances Table

| Equipment name: FreeSpace FS2P, Type designation: 841153 | | | | | | |
|--|-----------|--------------|--------------|----------------------------|--------------------------------|---------------------------------------|
| Restricted substances and its chemical symbols | | | | | | |
| Unit | Lead (Pb) | Mercury (Hg) | Cadmium (Cd) | Hexavalent chromium (Cr+6) | Polybrominated biphenyls (PBB) | Polybrominated diphenyl ethers (PBDE) |
| PCBs | - | 0 | 0 | 0 | 0 | 0 |
| Metal Parts | - | 0 | 0 | 0 | 0 | 0 |
| Plastic Parts | 0 | 0 | 0 | 0 | 0 | 0 |
| Speakers | - | 0 | 0 | 0 | 0 | 0 |
| Cables | - | 0 | 0 | 0 | 0 | 0 |

Note 1: "0" indicates that the percentage content of the restricted substance does not exceed the percentage of reference value of presence.
Note 2: The "-" indicates that the restricted substance corresponds to the exemption.

Date of Manufacture: The eighth digit in the serial number indicates the year of manufacture; "7" is 2007 or 2017.

EU Importer: Transom Post Netherlands B.V., Keizersgracht 391A, 1016 EJ, Amsterdam
UK Importer: Transom Post Netherlands UK, Squires House 205a High Street, West Wickham, BR4 0PH | **Japan Importer:** Transom Post International Japan KK Co., Ltd. PMO Tamachi IV Shiba5-29-19, Minato-ku, Tokyo | **Australia Importer:** Transom Post Australia Pty. Ltd., Level 14, 60 Margaret Street, Sydney, NSW 2000 | **China Importer:** Transom Post (Shanghai) Audio Co. Ltd Room 2209, Building 1, 175 Longyao Road, Xuhui District, Shanghai | **Mexico Importer:** POST INTL MEXICO, S. DE R.L. DE C.V. Insurgentes Sur No. 1079, 1st floor, Colonia Noche Buena, Benito Juárez, C.P. 03270, Mexico City | **UAE Importer:** 102 A, Sama Tower Sheikh Zayed Road, Dubai UAE

Bose is a trademark of Bose Corporation.

FreeSpace is a trademark of Transom Post OpCo LLC.

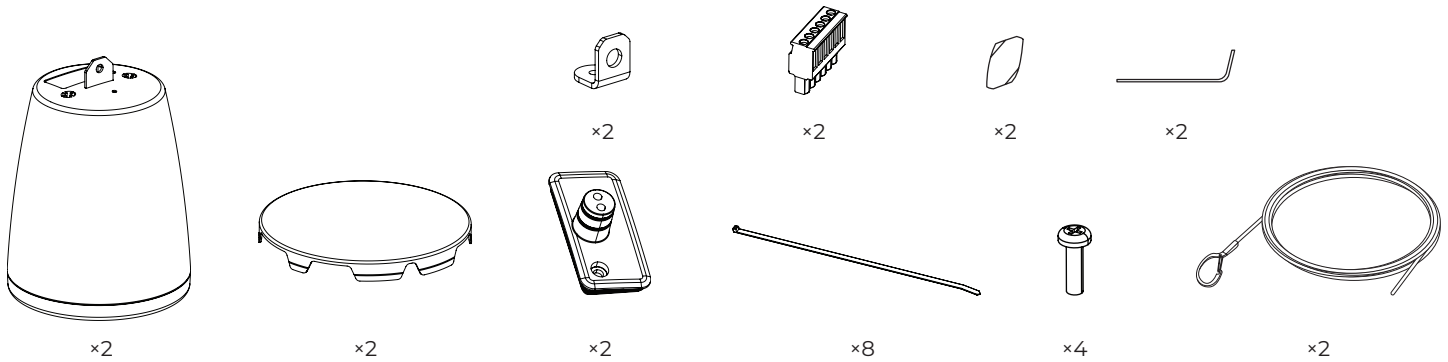
Bose Professional, 117 South St, Hopkinton, MA 01748 USA

©2024 Transom Post OpCo LLC. No part of this work may be reproduced, modified, distributed or otherwise used without prior written permission.

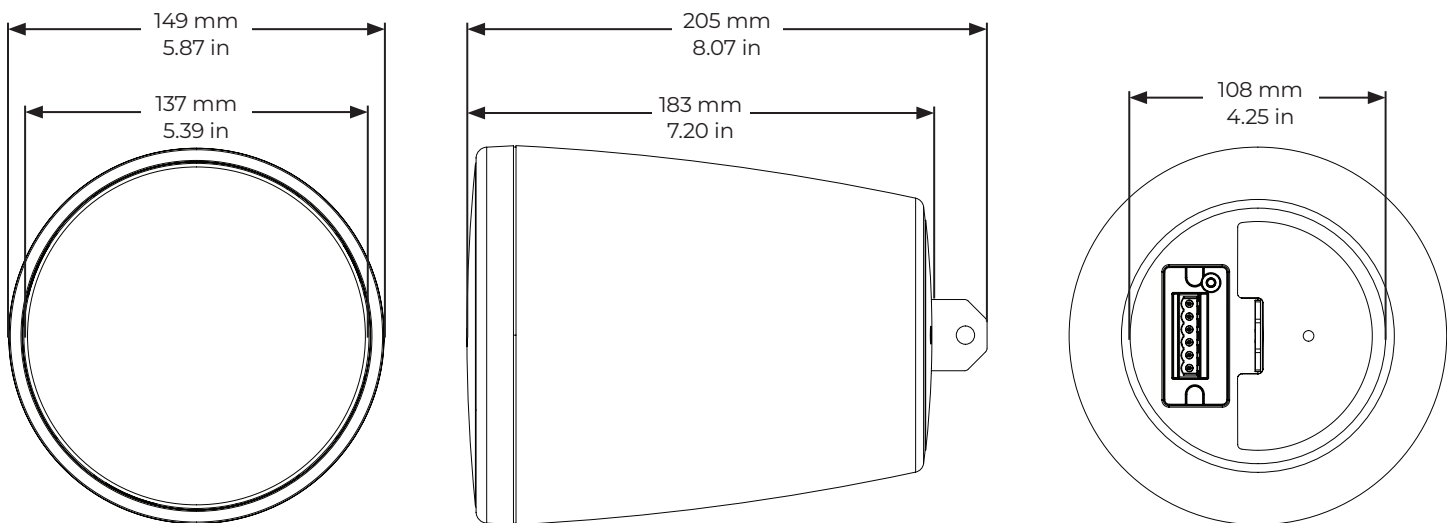
Warranty Information

This product is covered by a limited warranty.
 For warranty details, visit boseprofessional.com.

Package Contents



Product Dimensions



Technical Specifications

For additional specifications, see the FreeSpace FS2P technical data sheet at boseprofessional.com.

| Physical | |
|---|--------------------------------------|
| Product Dimensions | Grille diameter: 137 mm (5.39 in) |
| | Enclosure diameter: 149 mm (5.87 in) |
| | Depth: 205 mm (8.07 in) |
| Cable Dimensions | Length: 4.57 m (15.00 ft) |
| | Diameter: 2 mm (0.08 in) |
| Max Load (Safe Working Load)¹ | 45.36 kg (100.0 lb) |
| Net Weight, Loudspeaker with grille (single) | 1.47 kg (3.25 lb) |
| Shipping Weight (pair) | 4.06 kg (8.95 lb) |
| Environmental | Indoor Only |

Important Installation Information

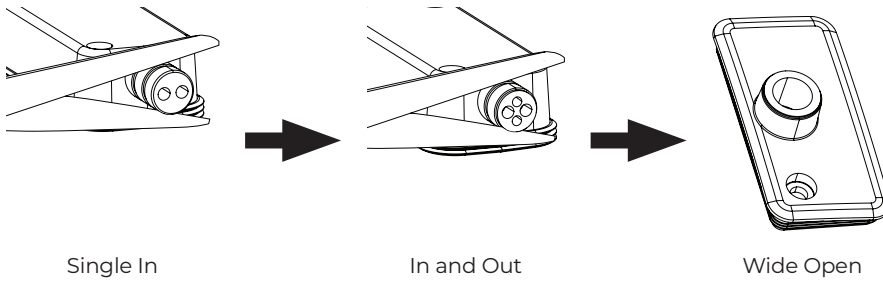


Before installing the loudspeaker, review **Important Safety Instructions** on page 2.



For fire and evacuation notification applications, environmental rated to IP21C per EN 54-24.

1. Always use the cable within its stated Safe Working Load. The included suspension cable has a Safe Working Load of 100 lbs.



Preparing the Weather-resistant Input Cover

The weather-resistant input cover is designed for three different wiring scenarios (see above). To change the configuration of the input cover to support your wiring scenario, cut along the perforation on the rubber conduit.

Note: Indoor-only applications do not require use of the input cover.

Note: If using the wide open rubber conduit configuration, it is the installer's responsibility to seal against water ingress into the Euroblock connector.

Wiring the Loudspeaker

Wire Gauge

The FreeSpace FS2P loudspeaker is designed to work with 18 AWG (0.8 mm²) to 14 AWG (2.1 mm²) size wire only.

Connection Diagrams

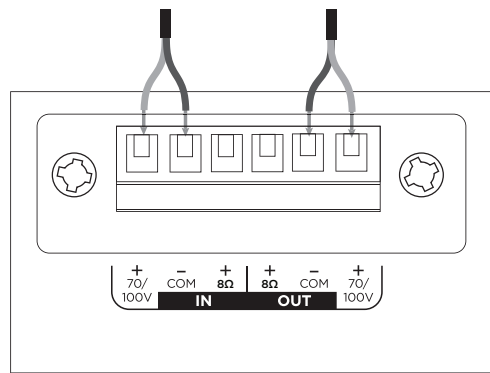
Expose six millimeters (¼ inch) of bare wire to attach to the terminals.

Note: The loudspeaker is not rated for use with a rigid conduit. The loudspeaker is suitable for a flexible conduit or wiring connection only.

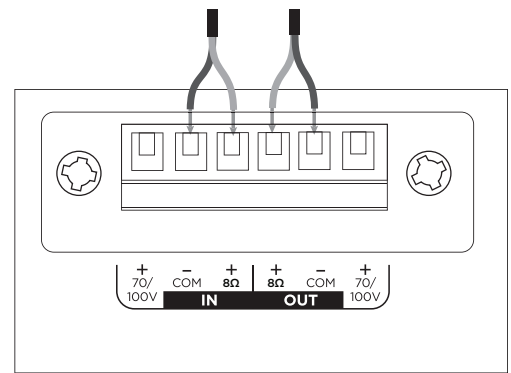
Note: Wiring method must be in accordance with:

In Canada, CSA C22.1, Canadian Electrical Code, Part I, Safety Standard for Electrical Installations, Section 32;

In the United States, The National Electrical Code, NFPA 70.

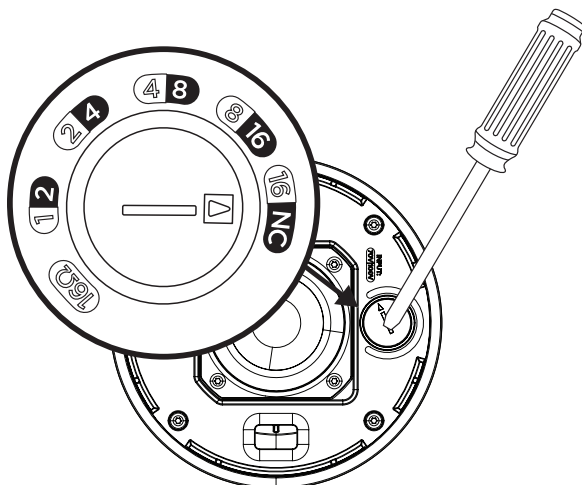


70/100V



16Ω

Loudspeaker Settings



| | | | | | |
|-------------|----|----|-----|------|------------|
| 70V | | | | | 16Ω |
| 1W | 2W | 4W | 8W | 16W* | |
| 2W | 4W | 8W | 16W | NC** | |
| 100V | | | | | |

* Factory default

** NC: No Connection (do not use)

Transformer Tap Setting

Set tap by turning. Use a flat head screwdriver.

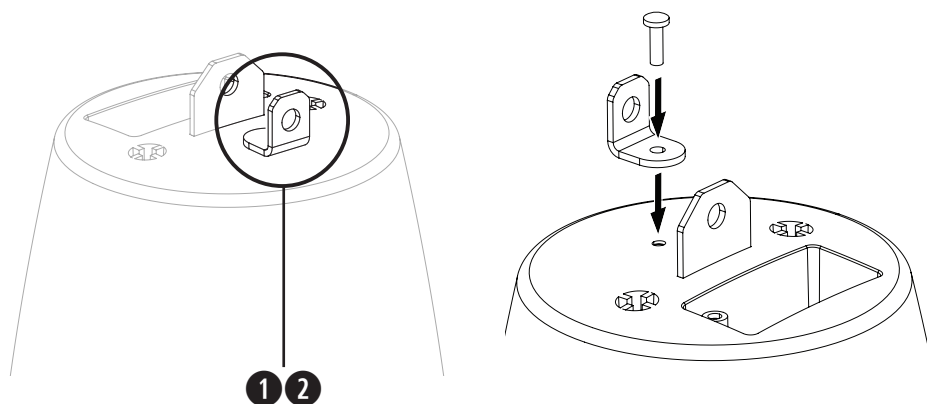
Preparing the Installation

Using a Safety Cable

Some regional construction codes require the use of a secondary method of securing loudspeakers to support structures to provide additional safety. Choose a mounting position, method, and hardware consistent with local building codes and regulations.

Bose Professional recommends using (1) a safety wire or (2) a safety cable as a secondary securing mechanism (not included). See the diagram to the right for safety attachment points.

Follow the manufacturer's instructions for any secondary securing mechanism implemented.

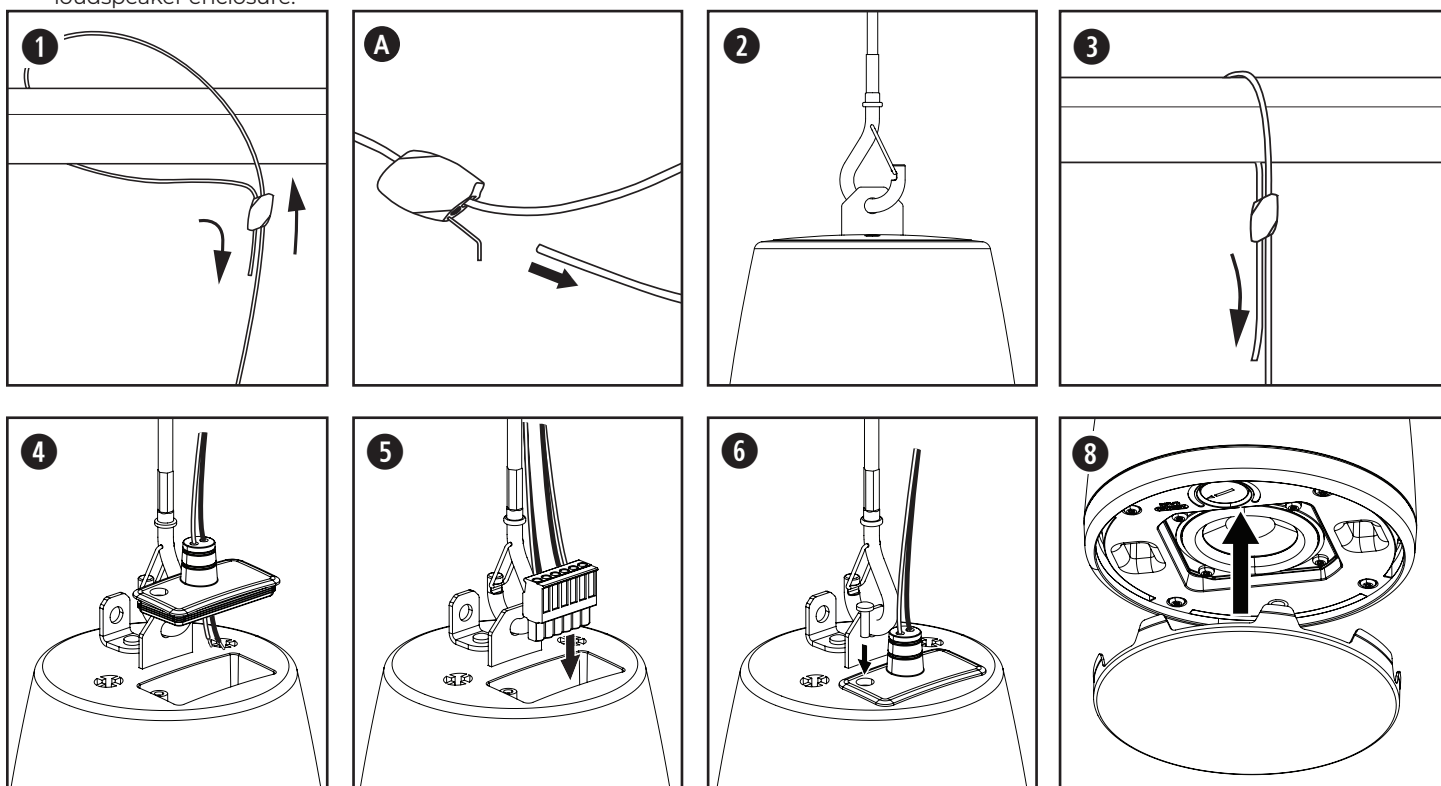


Mounting the Loudspeaker

1. Insert the included suspension cable through the cable fastener and wrap the cable around a support structure; secure the cable using the cable fastener. **Note:** Arrows on the cable fastener indicate the cable direction.
A. To loosen the cable, insert the fastener tool into the release hole and adjust the cable.
2. Secure the cable clip to the loudspeaker suspension cable attachment point.
3. Pull the loose end of the suspension cable to adjust the loudspeaker to the desired height. Once you've reached the desired loudspeaker height, cut away any excess cable.
Note: Trim any frayed filaments with wire cutters after cutting to length.
4. Insert the loudspeaker wiring through the rubber conduit of the input cover (see **Preparing the Input Cover** on page 4).
5. Wire the connector and insert the connector into the loudspeaker. For wiring information, see **Wiring the Loudspeaker** on page 4.
6. Place the input cover over the connector and press it firmly against the loudspeaker to create a tight seal. Secure the input cover using the input cover screw.
7. Use the included cable ties to secure the wiring to the suspension cable.

Note: Before attaching the grille, adjust the loudspeaker tap settings to the appropriate setting for the installation. See **Loudspeaker Settings** on page 4.

8. Line up the grille with the inside of the loudspeaker enclosure so that the two smallest grille tabs are on either side of the tap switch. Push the grille on the loudspeaker until it is secured into place. If necessary, push the grille tabs inward to properly fit into the loudspeaker enclosure.



Removing the Grille

Insert a small tool (no larger than 1.5 millimeters in diameter) through the grille perforation at the edge of the grille and pull to disengage the grille.



CAUTION: Do not use a screwdriver to pry the grille from the enclosure. This could result in damage to the loudspeaker.

Safety and Regulatory Compliance

The FreeSpace FS2P loudspeaker has passed testing and complies with the following specifications and uses:

Listed to ANSI/UL 1480A-2016, Speakers for Commercial & Safety Professional Use

General-Purpose Use – UL Category UEAY, File Number S36835.

Suitable for use indoors in dry locations.

EN 54-24: 2008, Loudspeaker for Voice Alarm Systems for Fire Detection and Fire Alarm Systems for Buildings

Environmental: Type A (indoor applications)

Suitable for installation using Class 1, Class 2, or Class 3 wiring methods in accordance with NFPA 70, National Electric Code, 2002, Article 640.

Suitable for use with fire alarm circuit wiring methods in accordance with NFPA 70, National Electric Code, 2002, Article 760.

NFPA 70, National Electric Code, 2002, Article 300-22 (c).

NFPA 90-A, 2002, Installation of Air Conditioning and Ventilation Systems, Paragraph 4.3.10.2.6.5.



EMC Directive 89/336/EEC and Article 10 (1) of the directive, EN50081-1 and EN50082-1 as signified by the CE mark.

The FreeSpace FS2P loudspeaker has been designed to the requirements defined in the following European regulatory specification for combination systems:

British Standard Code of Practice BS 5839, Part 8, when used with the ceramic terminal block and thermal fuse.

Tested to IEC60268-5.

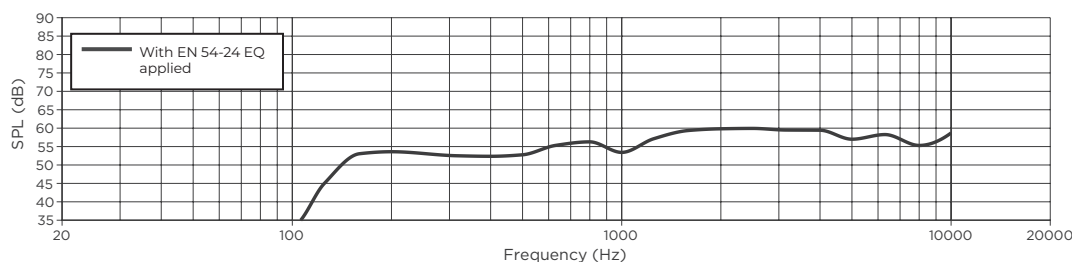
| EN 54-24 Certified Ratings ¹ | | | | | | |
|---|------------------|-------------|-------------|-------------|-----------|------------|
| Frequency Range | 100 Hz to 10 kHz | | | | | |
| Sensitivity (1 W @ 4 m) | 70.3 dB | | | | | |
| Measured Max. SPL @ 4 m | 79.5 dB | | | | | |
| Coverage Angle Octave Band (Hz) | 500 | 1000 | 2000 | 4000 | | |
| Horizontal Coverage | 360° | 190° | 120° | 123° | | |
| Vertical Coverage | 360° | 190° | 115° | 120° | | |
| Rated Impedance | | 1W | 2W | 4W | 8W | 16W |
| | 70V | 4900 Ω | 2450 Ω | 1225 Ω | 613 Ω | 306 Ω |
| | 100V | — | 5000 Ω | 2500 Ω | 1250 Ω | 625 Ω |
| Passive Nominal Impedance | 16 Ω | | | | | |
| Rated Noise Power | 16W | | | | | |
| EN 54-24 Equalization | Type | Freq | Gain | Q | BW | |
| | PEQ | 10900 Hz | -12 dB | 10 | 0.144 | |

| | |
|--|---|
|  0843 |  2821 |
| Bose Professional 117 South St, Hopkinton, MA 01748 USA 24 DOP 841029 | |
| EN 54-24: 2008 Loudspeaker for voice alarm systems for fire detection and fire alarm systems for buildings FreeSpace FS2P Provided options: Type A For DOP 841029, see boseprofessional.com/FS2PDOP | |

Footnotes

- The specifications data was measured in an anechoic chamber, free-field. Reference plane is on the grille surface and perpendicular to the reference axis. Reference axis is perpendicular to center of grille surface. Horizontal plane is containing the reference axis and perpendicular to the reference plane.

On-axis Frequency Response



Lea y conserve todas las instrucciones de uso y seguridad.

Este producto está diseñado para ser instalado únicamente por instaladores profesionales. Este documento está diseñado para proveer las pautas de seguridad e instalación básicas a los instaladores profesionales de este producto en sistemas de instalación fija comunes. Lea este documento y todas las advertencias de seguridad antes de comenzar la instalación.

No intente reparar este producto por su cuenta. Remita todas las reparaciones a centros de servicio, instaladores, técnicos o distribuidores autorizados. Para comunicarse con Bose Professional o para encontrar un distribuidor cerca de usted, visite boseprofessional.com.

1. Lea estas instrucciones.
2. Guarde estas instrucciones.
3. Preste atención a las advertencias.
4. Siga todas las instrucciones.
5. No use este aparato cerca del agua.
6. Límpielo solamente con un paño seco.
7. No obstruya ninguna abertura de ventilación. Realice la instalación conforme a las instrucciones del fabricante.
8. No lo instale cerca de una fuente de calor, como radiadores, rejillas de calefacción, estufas u otros aparatos (incluidos los amplificadores) que produzcan calor.
9. Utilice solamente los accesorios especificados por el fabricante.

Especificaciones del producto:

Voltaje de entrada: 70 V/100 V

Impedancia: 16 Ω, 16 W

Opciones de potencia de salida: (70 V): 1 W, 2 W, 4 W, 8 W, 16 W; (100 V): 2 W, 4 W, 8 W, 16 W

Información normativa

Este producto cumple con todos los requisitos correspondientes de la Directiva de la UE. La declaración de conformidad completa se puede encontrar en:

BoseProfessional.com.



Este producto cumple con todas las regulaciones aplicables de compatibilidad electromagnética de 2016 y todas las demás regulaciones aplicables del Reino Unido. La declaración de conformidad completa se puede encontrar en:

BoseProfessional.com



Este símbolo indica que el producto no se debe desechar como residuo doméstico y se debe enviar a una planta para tratamiento de residuos apropiada para su reciclado. Una eliminación y un reciclado adecuados ayudan a proteger los recursos naturales, la salud humana y el medioambiente. Para obtener más información acerca de la eliminación y el reciclado de este producto, comuníquese con su municipalidad local, un centro de servicios de desecho o la tienda donde compró este producto.

Fecha de fabricación: el octavo dígito del número de serie indica el año de fabricación; p. ej., "7" es 2007 o 2017.

Importador en la UE: Transom Post Netherlands B.V., Keizersgracht 391A, 1016 EJ, Ámsterdam | **Importador en el Reino Unido:** Transom Post Netherlands UK, Squires House 205a High Street, West Wickham, BR4 0PH | **Importador de Japón:** Transom Post International Japan KK Co., Ltd. PMO Tamachi IV Shiba5-29-19, Minato-ku, Tokio | **Importador en Australia:** Transom Post Australia Pty. Ltd., Level 14, 60 Margaret Street, Sydney, NSW 2000 | **Importador de China:** Transom Post (Shanghai) Audio Co. Ltd Room 2209, Building 1, 175 Longyao Road, Xuhui District, Shanghai | **Importador de México:** POST INTL MEXICO, S. DE R.L. DE C.V. Insurgentes Sur n.º 1079, piso 1, Colonia Noche Buena, Benito Juárez, C.P. 03270, Ciudad de México | **Importador de Emiratos Árabes Unidos:** 102A, Sama Tower Sheikh Zayed Road, Dubái, Emiratos Árabes Unidos

Bose es una marca comercial de Bose Corporation.

FreeSpace es una marca comercial de Transom Post OpCo LLC.

Bose Professional, 117 South St, Hopkinton, MA 01748 USA

©2024 Transom Post OpCo LLC. Ninguna parte de este trabajo podrá reproducirse, modificarse, distribuirse ni usarse sin un permiso previo por escrito.

Información de la garantía

Este producto está cubierto con una garantía limitada.

Para ver los detalles de la garantía, visite boseprofessional.com.

**ADVERTENCIAS/PRECAUCIONES**

Este producto contiene materiales magnéticos. Consulte con su médico si esto podría llegar a afectar un dispositivo médico implantado.



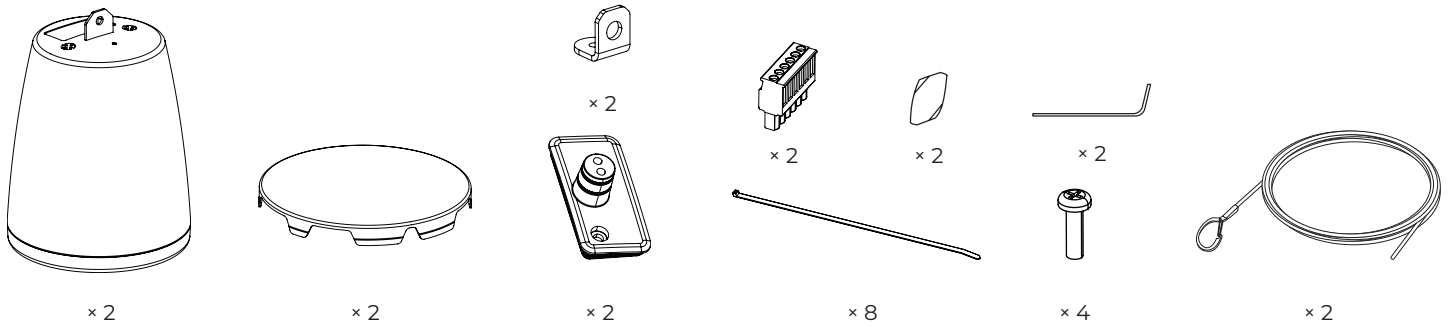
Contiene piezas pequeñas que pueden provocar asfixia. No recomendable para niños menores de 3 años.

- Este producto está destinado solo para uso en áreas interiores.
- Todos los productos Bose Professional deben instalarse conforme a las leyes locales, estatales, federales y del sector. Es responsabilidad del instalador garantizar que la instalación del sistema de soporte y los altavoces se realice conforme a los códigos aplicables, incluidos los códigos y las reglamentaciones de construcción locales. Consulte a la autoridad local competente antes de instalar este producto.
- El montaje inseguro o la suspensión en altura de cualquier carga pesada pueden provocar lesiones graves o la muerte, además de daños a la propiedad. Es responsabilidad del instalador evaluar la confiabilidad de cualquier método de montaje utilizado para su aplicación. Únicamente los instaladores profesionales con conocimiento de las herramientas adecuadas y las técnicas de montaje seguro deberían intentar instalar cualquier altavoz en altura.
- No monte el producto en lugares donde pueda estar expuesto al agua o a la condensación.
- No exponga el producto a goteos o salpicaduras, y no coloque encima ni cerca del producto objetos llenos de líquido, como floreros.
- Este producto no está diseñado para ser instalado ni utilizado en zonas de instalaciones acuáticas en interiores (incluidos, entre otros, piscinas techadas, parques acuáticos techados, jacuzzis, saunas, salas de vapor y pistas de patinaje techadas).
- Monte únicamente en superficies que sean resistentes o que no presenten peligros ocultos, como cableado eléctrico o plomería. Asegúrese de que un instalador profesional calificado instale el soporte y que lo haga de acuerdo con los códigos de construcción locales.
- Utilice solo el hardware y los accesorios incluidos, o bien los que Bose Professional especifica como aptos para los altavoces FreeSpace FS2P. Para obtener información sobre los accesorios compatibles, consulte la hoja de datos técnicos del producto en boseprofessional.com.
- Mantenga el producto lejos del fuego y de fuentes de calor. No coloque sobre el producto, o en su proximidad, fuentes de llamas sin protección; por ejemplo, velas encendidas.
- No realice alteraciones no autorizadas a este producto.
- No exponga el altavoz ni los componentes de montaje a sustancias químicas que no hayan sido especificadas por Bose Professional, incluidos, entre otros, lubricantes, productos de limpieza, aerosoles de contacto o disolventes a base de hidrocarburos. La exposición a estas sustancias puede degradar el plástico, lo que produce grietas y el riesgo de que se caiga el dispositivo.
- Limpie los altavoces solo con un paño seco. No exponga los altavoces a detergentes, aceite mineral, alcohol ni otros agentes o químicos de limpieza.

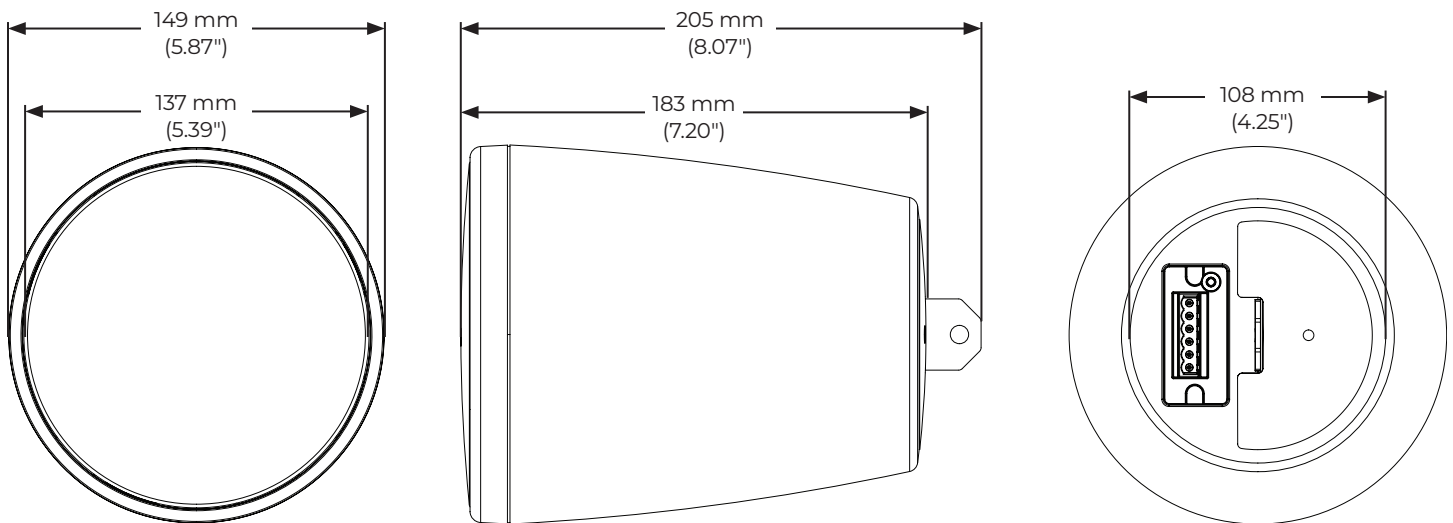
Advertencias específicas del cable:

- Este cable no está diseñado para ser instalado ni utilizado en zonas de instalaciones acuáticas en interiores (incluidos, entre otros, piscinas techadas, parques acuáticos techados, jacuzzis, saunas, salas de vapor y pistas de patinaje techadas).
- No lo utilice para levantamientos, como una grúa o polea, ni en instalaciones colgantes que incluyan movimiento o comportamiento dinámico. Está diseñado solo para colgar altavoces estáticos.
- No camine ni se pare sobre la instalación del cable.
- No pinte el sujetador del cable ni ninguna otra pieza del conjunto del cable.
- Si utiliza un sistema de cables no proporcionado por Bose Professional, el límite de carga de trabajo debe ser igual o superior al sistema de cables suministrado.
- No aplique aceite ni ningún otro lubricante al sujetador del cable ni a ninguna otra pieza del conjunto de este.
- Nunca combine dos cables. Utilice solo un conjunto del cable por punto de anclaje del altavoz.
- Utilice el cable colgante de suspensión únicamente con los altavoces colgantes Bose Professional.

Contenido de la caja



Dimensiones del producto



Especificaciones técnicas

Para conocer más especificaciones, consulte la hoja de datos técnicos de FreeSpace FS2P en boseprofessional.com.

| Datos físicos | |
|---|--|
| Dimensiones del producto | Diámetro de la rejilla: 137 mm (5.39") |
| | Diámetro de la carcasa: 149 mm (5.87") |
| | Profundidad: 205 mm (8.07") |
| Dimensiones del cable | Longitud: 4.57 m (15.00 pies) |
| | Diámetro: 2 mm (0.08") |
| Carga máxima (carga de trabajo segura)¹ | 45.36 kg (100.0 lb) |
| Peso neto, altavoz con rejilla (individual) | 1.47 kg (3.25 lb) |
| Peso de envío (par) | 4.06 kg (8.95 lb) |
| Ambiente de uso | Únicamente para áreas interiores |

1. Utilice siempre el cable dentro del límite de carga de trabajo segura que se señala. El cable de suspensión incluido tiene una carga de trabajo segura de 45.4 kg (100 lb).

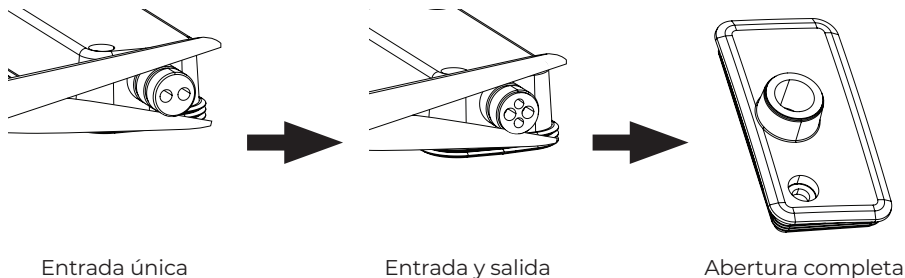
Información importante sobre la instalación



Antes de instalar el altavoz, revise las **Instrucciones importantes de seguridad** en la página 7.



Para **aplicaciones de notificación en caso de incendio y evacuación**, cuenta con clasificación de ambiente de uso IP21C según EN 54-24.



Preparación de la cubierta de entrada resistente a la intemperie

La cubierta de entrada resistente a la intemperie se diseñó para 3 arreglos de cableado diferentes (consulte las imágenes ubicadas arriba). Para cambiar el formato de la cubierta de entrada a fin de ser compatible con el arreglo del cableado, corte a lo largo de la perforación en el conducto de goma.

Nota: Solo las aplicaciones de áreas interiores no necesitan el uso de la cubierta de entrada.

Nota: Si utiliza el formato del conducto de goma de abertura completa, es responsabilidad del instalador sellarlo para que no entre agua en el conector Euroblock.

Cableado de los altavoces

Calibre de cable

El altavoz FreeSpace FS2P está diseñado para funcionar únicamente con cables que midan de 18 AWG (0.8 mm²) a 14 AWG (2.1 mm²).

Diagramas de conexión

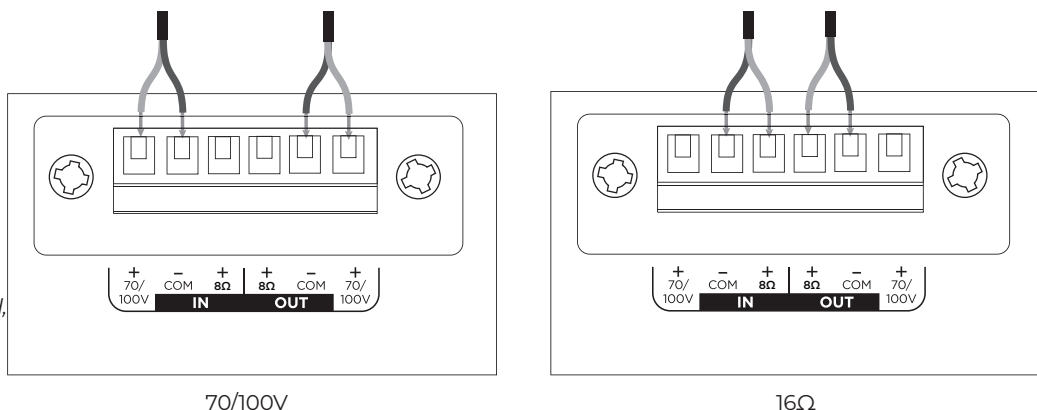
Exponga 6 mm (¼") de cable sin aislación para conectarlo a los terminales.

Nota: El altavoz no está diseñado para su uso con un conducto rígido. El altavoz es apto solamente para conexiones mediante cableado o conductos flexibles.

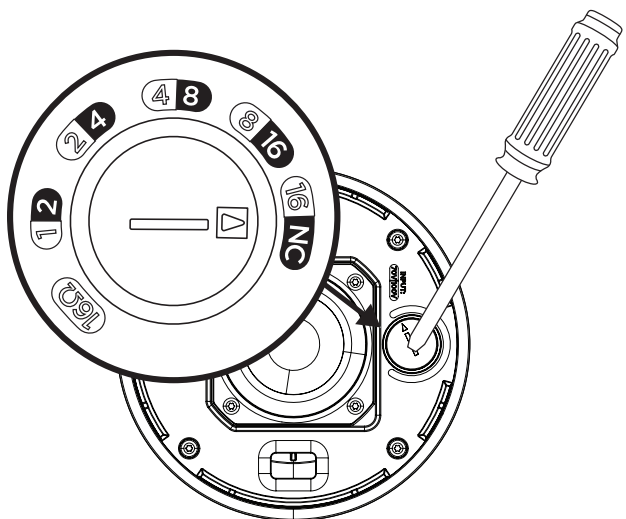
Nota: El método de cableado debe cumplir con los siguientes códigos:

En Canadá, CSA C22.1, el Código Canadiense de Normas de Electricidad, Parte I, Estándar de Seguridad para Instalaciones Eléctricas, Sección 32.

En Estados Unidos, el Código Eléctrico Nacional, NFPA 70.



Configuración del altavoz



| 70 V | | | | | 16 Ω |
|-------|-----|-----|------|-------|------|
| 1 W | 2 W | 4 W | 8 W | 16 W* | |
| 2 W | 4 W | 8 W | 16 W | NC** | |
| 100 V | | | | | |

* Predeterminado de fábrica ** NC: Sin conexión (no utilizar)

Configuración de la toma del transformador

Gire la toma para establecer la configuración. Utilice un destornillador de cabeza plana.

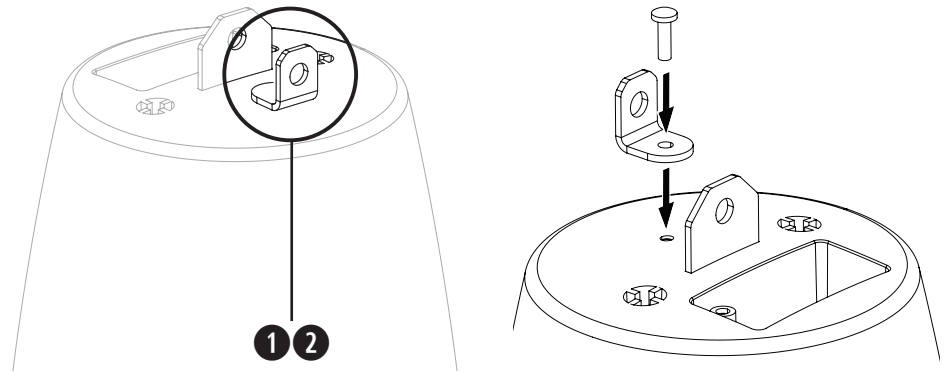
Preparación de la instalación

Uso de un cable de seguridad

En algunos códigos regionales de construcción se exige el uso de un método secundario de fijación de los altavoces a estructuras de apoyo con el propósito de brindar mayor seguridad. Elija una posición de montaje, un método y los componentes que cumplan con los códigos y los reglamentos locales de construcción.

Bose Professional recomienda utilizar (1) un alambre de seguridad o (2) un cable de seguridad como mecanismo secundario de fijación (no incluidos). Consulte el diagrama situado a la derecha para conocer los puntos de fijación de seguridad.

Siga las instrucciones del fabricante en la instalación de cualquier mecanismo de fijación secundario que desee implementar.

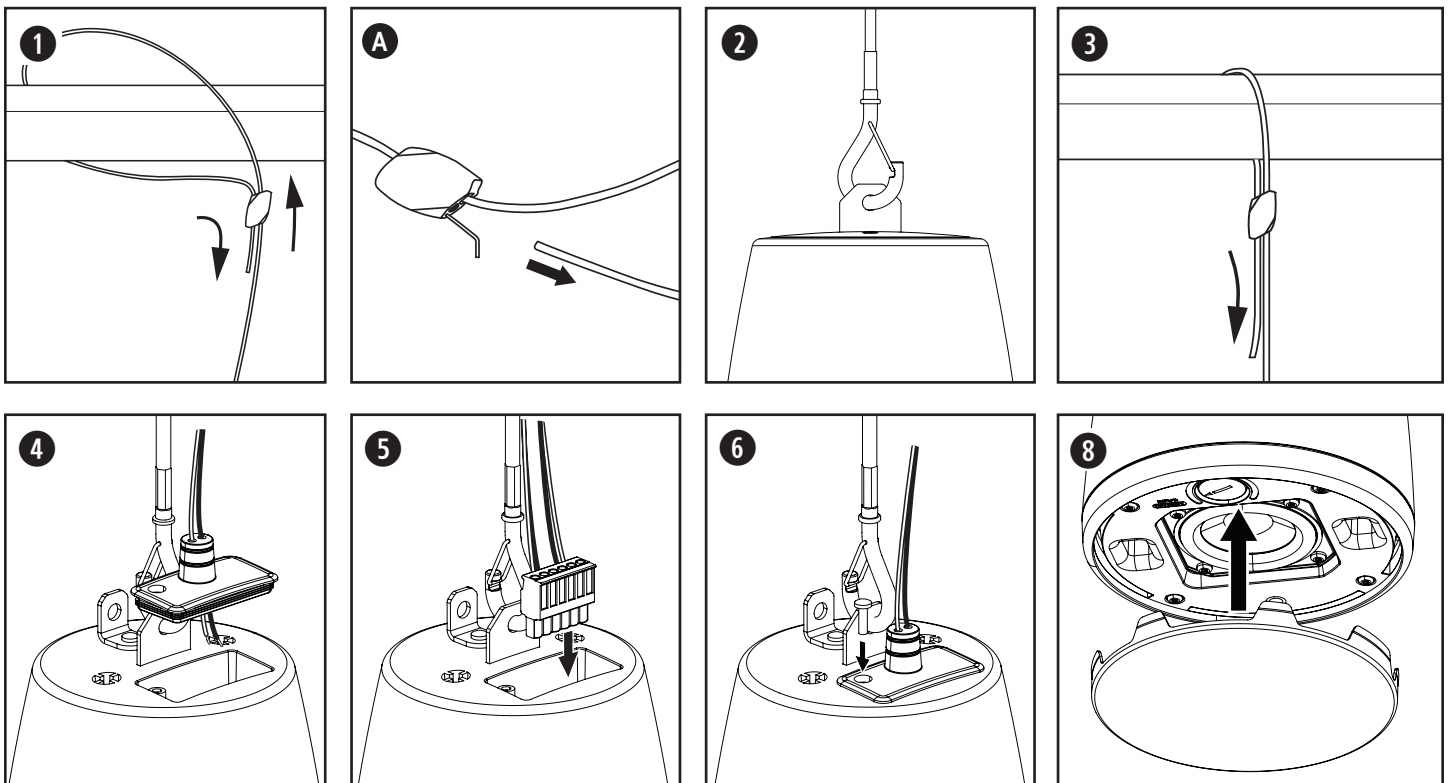


Montaje del altavoz

1. Inserte el cable de suspensión incluido a través del sujetador del cable y enróllelo alrededor de una estructura de soporte; fije el cable con su sujetador. Nota: Las flechas del sujetador del cable indican la dirección del cable.
A. Para aflojar el cable, inserte la herramienta del sujetador en el orificio de sujeción y ajuste el cable.
2. Fije el clip del cable al punto de conexión del cable de suspensión del altavoz.
3. Tire del extremo suelto del cable de suspensión para ajustar el altavoz a la altura deseada. Una vez que alcance la altura deseada del altavoz, corte el exceso de cable. **Nota:** Recorte los filamentos deshilachados con cortaalambres después de cortarlo según la longitud adecuada.
4. Inserte el cableado del altavoz a través del conducto de goma de la cubierta de entrada (consulte **Preparación de la cubierta de entrada** en la página 9).
5. Realice el cableado del conector e insértelo en el altavoz. Para obtener información sobre el cableado, consulte **Cableado del altavoz** en la página 9.
6. Coloque la cubierta de entrada sobre el conector y presiónela firmemente contra el altavoz para crear un sello hermético. Fije la cubierta de entrada con el tornillo de la cubierta de entrada.
7. Utilice los sujetacables incluidos para fijar el cableado al cable de suspensión.

Nota: Antes de colocar la rejilla, ajuste la configuración de la toma del altavoz según la configuración adecuada para su instalación. Consulte **Configuración del altavoz** en la página 9.

8. Alinee la rejilla con el interior de la carcasa del altavoz, para que las dos lengüetas más pequeñas de la rejilla queden a cada lado del interruptor del regulador. Empuje la rejilla del altavoz hasta que quede fija en su lugar. Si es necesario, empuje las lengüetas de la rejilla hacia adentro para que encajen correctamente en la carcasa del altavoz.



Extracción de la rejilla

Inserte una herramienta pequeña (de no más de 1.5 mm de diámetro) a través de la perforación de la rejilla en el borde de esta y tire para soltarla.



PRECAUCIÓN: No utilice un destornillador para extraer la rejilla de la carcasa de forma forzada. Esto podría dañar el altavoz.

Cumplimiento de las normativas y los reglamentos de seguridad

El altavoz FreeSpace FS2P ha superado pruebas y cumple con los siguientes usos y especificaciones:

Registrados en el estándar ANSI/UL 1480A-2016, para altavoces de uso comercial y profesional seguro

Uso general: UL categoría UEAY, número de archivo S36835.

Apto para su uso en áreas interiores en lugares secos.

EN 54-24: 2008, altavoz para sistemas de alarma por voz para la detección de incendios y sistemas de alarma de incendios de edificios

Tipo de ambiente de uso: A (aplicaciones en áreas interiores)

Apto para su instalación con métodos de cableado Clase 1, Clase 2 o Clase 3 en conformidad con el estándar NFPA 70, Código Eléctrico Nacional, 2002, Artículo 640.

Apto para su uso con métodos de cableado de circuitos de alarma contra incendios en conformidad con el estándar NFPA 70, Código Eléctrico Nacional, 2002, Artículo 760

Estándar NFPA 70, Código Eléctrico Nacional, 2002, Artículo 300-22(c).

Estándar NFPA 90-A, 2002, instalación de sistemas de aire acondicionado y ventilación, Párrafo 4.3.10.2.6.5.

Directiva de EMC 89/336/EEC y artículo 10 (1) de la directiva, EN50081-1 y EN50082-1 como lo indica la marca CE.

El altavoz FreeSpace FS2P se diseñó según los requisitos definidos en la siguiente especificación reglamentaria europea para sistemas combinados:

Norma británica, código de práctica BS 5839, parte 8, cuando se utiliza con el bloque de terminales de cerámica y los fusibles térmicos.

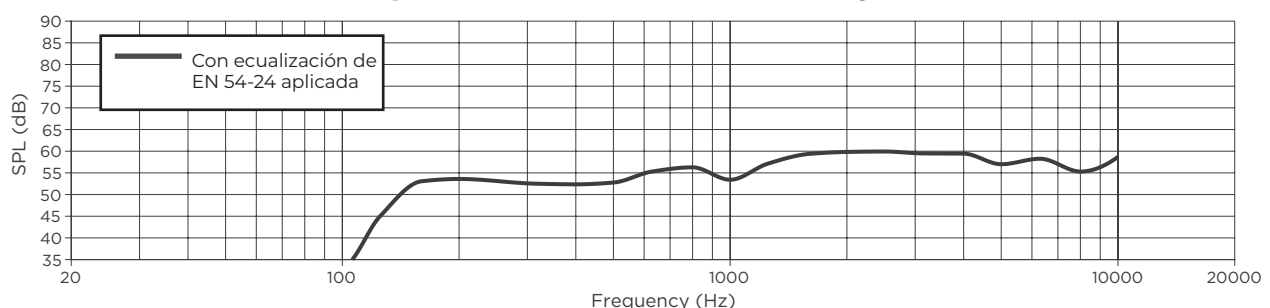
Probado según IEC60268-5.

| Calificaciones de certificaciones EN 54-24 ¹ | | | | | |
|---|--------------------|-------------------|-----------------|-------------|------------|
| Rango de frecuencia | De 100 Hz a 10 kHz | | | | |
| Sensibilidad (1 W a 4 m) | 70.3 dB | | | | |
| SPL máximo medido a 4 m | 79.5 dB | | | | |
| Ángulo de cobertura de bandas de octava (Hz) | 500 | 1000 | 2000 | 4000 | |
| Cobertura horizontal | 360° | 190° | 120° | 123° | |
| Cobertura vertical | 360° | 190° | 115° | 120° | |
| Impedancia nominal | | 1 W | 2 W | 4 W | 8 W |
| | 70 V | 4900 Ω | 2450 Ω | 1225 Ω | 613 Ω |
| | 100 V | — | 5000 Ω | 2500 Ω | 1250 Ω |
| Impedancia nominal pasiva | 16 Ω | | | | |
| Potencia de ruido nominal | 16 W | | | | |
| Ecuación de EN 54-24 | Tipo | Frecuencia | Ganancia | Q | BW |
| | PEQ | 10900 Hz | -12 dB | 10 | 0.144 |

Notas de pie de página

- Los datos de las especificaciones se midieron en una cámara anecoica de campo libre. El plano de referencia se encuentra en la superficie de la rejilla y perpendicular al eje de referencia. El eje de referencia es perpendicular al centro de la superficie de la rejilla. El plano horizontal contiene el eje de referencia y es perpendicular al plano de referencia.

Respuesta de frecuencia en el eje



Merci de lire et de conserver le manuel d'instruction et de respecter les consignes de sécurité.

Ce produit doit être installé par un technicien professionnel ! Ce document est destiné à fournir aux techniciens professionnels les directives de montage et de sécurité relatives à ce produit dédié à une installation fixe. Veuillez lire ce document, ainsi que l'ensemble des avertissements de sécurité avant de procéder à l'installation.

Ne tentez pas de réparer ce produit vous-même. Confiez toutes les opérations de maintenance à des centres de service, installateurs, techniciens, revendeurs ou distributeurs agréés. Pour contacter Bose Professional ou pour trouver un revendeur ou un distributeur près de chez vous, rendez-vous à l'adresse boseprofessional.com.

1. Veuillez lire ces consignes.
2. Veuillez conserver ces consignes.
3. Respectez tous les avertissements.
4. Suivez toutes les consignes.
5. N'utilisez pas cet appareil à proximité d'eau ou de toute autre source d'humidité.
6. Utilisez uniquement un chiffon sec pour le nettoyage.
7. Ne bloquez jamais les orifices d'aération. Suivez les instructions du fabricant pour l'installation.
8. N'installez pas cet appareil à proximité d'une quelconque source de chaleur, telle qu'un radiateur, une arrivée d'air chaud, un four ou tout autre appareil (notamment les amplificateurs) produisant de la chaleur.
9. Utilisez uniquement les accessoires spécifiés par le fabricant.

Spécifications du produit :

Tension d'entrée : 70 V/100 V

Impédance : 16 Ω, 16 W

Courant ou puissance : (70 V) : 1 W, 2 W, 4 W, 8 W, 16 W ; (100 V) : 2 W, 4 W, 8 W, 16 W

Informations réglementaires



Ce produit est conforme à toutes les directives de l'Union européenne qui s'y appliquent. La déclaration de conformité complète est disponible à l'adresse suivante : BoseProfessional.com.



Ce produit est conforme à toutes les réglementations de 2016 en matière de compatibilité électromagnétique et à toutes les autres réglementations britanniques applicables. L'attestation complète de conformité est disponible à l'adresse BoseProfessional.com



Ce symbole signifie que le produit ne doit pas être jeté avec les déchets ménagers, mais doit être déposé dans un centre de collecte approprié pour recyclage. La mise au rebut adéquate et le recyclage permettent de protéger les ressources naturelles, la santé humaine et l'environnement. Pour plus d'informations sur l'élimination et le recyclage de ce produit, contactez votre mairie, votre service d'enlèvement des ordures ou le magasin où vous avez acheté ce produit.

Date de fabrication : le huitième chiffre du numéro de série indique l'année de fabrication ; par exemple, « 7 » correspond à 2007 ou à 2017.

Importateur pour l'UE : Transom Post Netherlands B.V., Keizersgracht 391A, 1016 EJ, Amsterdam | **Importateur pour le Royaume-Uni :** Transom Post Netherlands UK, Squires House 205a High Street, West Wickham, BR4 0PH | **Importateur pour le Japon :** Transom Post International Japan KK Co., Ltd. PMO Tamachi IV Shiba5-29-19, Minato-ku, Tokyo | **Importateur pour l'Australie :** Transom Post Australia Pty. Ltd., Level 14, 60 Margaret Street, Sydney, NSW 2000 | **Importateur pour la Chine :** Transom Post (Shanghai) Audio Co. Ltd Room 2209, Building 1, 175 Longyao Road, Xuhui District, Shanghai | **Importateur pour le Mexique :** POST INTL MEXICO, S. DE R.L. DE C.V. Insurgentes Sur No. 1079, 1st floor, Colonia Noche Buena, Benito Juárez, C.P. 03270, Mexico City | **Importateur pour les Émirats arabes unis :** 102 A, Sama Tower Sheikh Zayed Road, Dubai UAE

Bose est une marque commerciale de Bose Corporation.

FreeSpace est une marque commerciale de Transom Post OpCo LLC.

Bose Professional, 117 South St, Hopkinton, MA 01748 USA

©2024 Transom Post OpCo LLC. Toute reproduction, modification, distribution ou autre utilisation, même partielle, de ce document est interdite sans autorisation écrite préalable.

Informations relatives à la garantie

Cet appareil est couvert par une garantie limitée.

Pour avoir plus d'information sur la garantie, visitez boseprofessional.com.



AVERTISSEMENTS/PRÉCAUTIONS



Ce produit contient des composants magnétiques. Consultez votre médecin afin de savoir si ces composants peuvent avoir une incidence sur tout dispositif médical implanté.



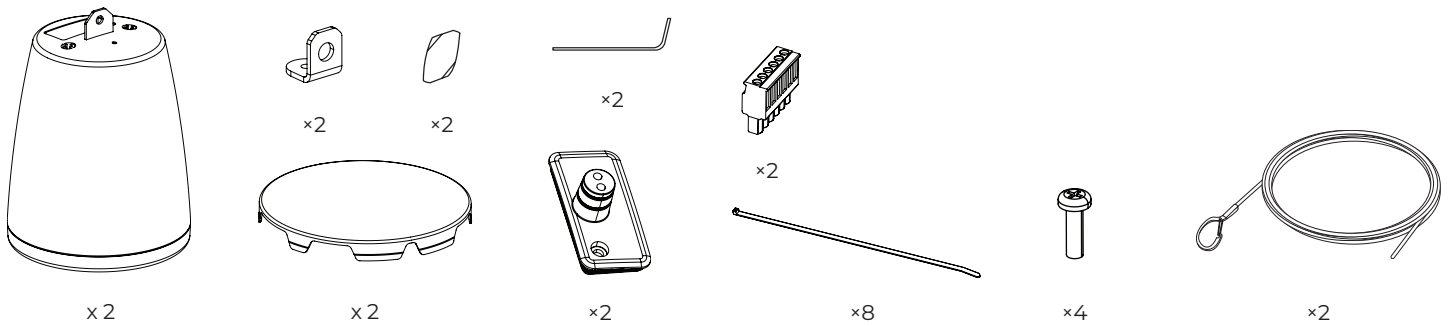
Certaines petites pièces présentent un risque de suffocation. Ne les laissez pas à la portée des enfants de moins de 3 ans.

- Ce produit est destiné à une utilisation en intérieur uniquement.
- Tous les produits Bose Professional doivent être installés dans le respect des réglementations locales et nationales. L'installateur est responsable du respect de tous les codes et règlements locaux et nationaux en vigueur applicables à l'installation et au montage des enceintes. Consultez les autorités locales compétentes avant d'installer ce produit.
- Tout montage non sécurisé ou suspension d'une lourde charge peut provoquer des dégâts matériels et des blessures graves, voire la mort. Il est de la responsabilité de l'installateur d'évaluer la fiabilité de la méthode de montage utilisée, en fonction de l'application. Seul un installateur professionnel connaissant les accessoires et techniques de montage adaptés est qualifié pour installer des enceintes suspendues.
- Ne montez pas le produit dans des endroits où il peut être exposé à l'eau ou à la condensation.
- Protégez ce produit de tout risque de ruissellement ou d'éclaboussure. Ne placez pas d'objets contenant des liquides, tels que des vases, sur le produit ou à proximité.
- Ce produit n'est pas destiné à être monté ou utilisé dans des installations humides en intérieur (par exemple piscine intérieure, parc aquatique intérieur, baignoire à remous, sauna, hammam, patinoire intérieure, etc.).
- Veillez à ne pas installer sur des surfaces peu résistantes ou dans lesquelles peuvent être intégrés des éléments dangereux, tels que des fils électriques ou des tuyaux de plomberie. Confiez l'installation du support à un professionnel qualifié, conformément aux réglementations locales.
- N'utilisez que le matériel et les accessoires livrés ou spécifiés par Bose Professional pour une utilisation avec les enceintes FreeSpace FS2P. Pour plus d'informations sur les accessoires compatibles, reportez-vous à la fiche technique du produit sur boseprofessional.com.
- Tenez le produit à l'écart du feu et des sources de chaleur. Ne placez jamais d'objets enflammés, tels que des bougies allumées, sur l'appareil.
- Veillez à ne pas effectuer de modifications non autorisées sur ce produit.
- N'exposez pas l'enceinte ou les accessoires de montage à des substances chimiques qui ne sont pas spécifiées par Bose Professional, y compris, mais sans s'y limiter, les lubrifiants, les produits de nettoyage, les sprays de contact ou les solvants à base d'hydrocarbures. L'exposition à de telles substances peut provoquer une dégradation du matériau plastique, se traduisant par des fêlures pouvant conduire à une chute de l'enceinte.
- Nettoyez uniquement les enceintes avec un chiffon sec. N'exposez pas l'enceinte à du savon, des détergents, des huiles minérales, de l'alcool ou d'autres agents nettoyants ou chimiques.

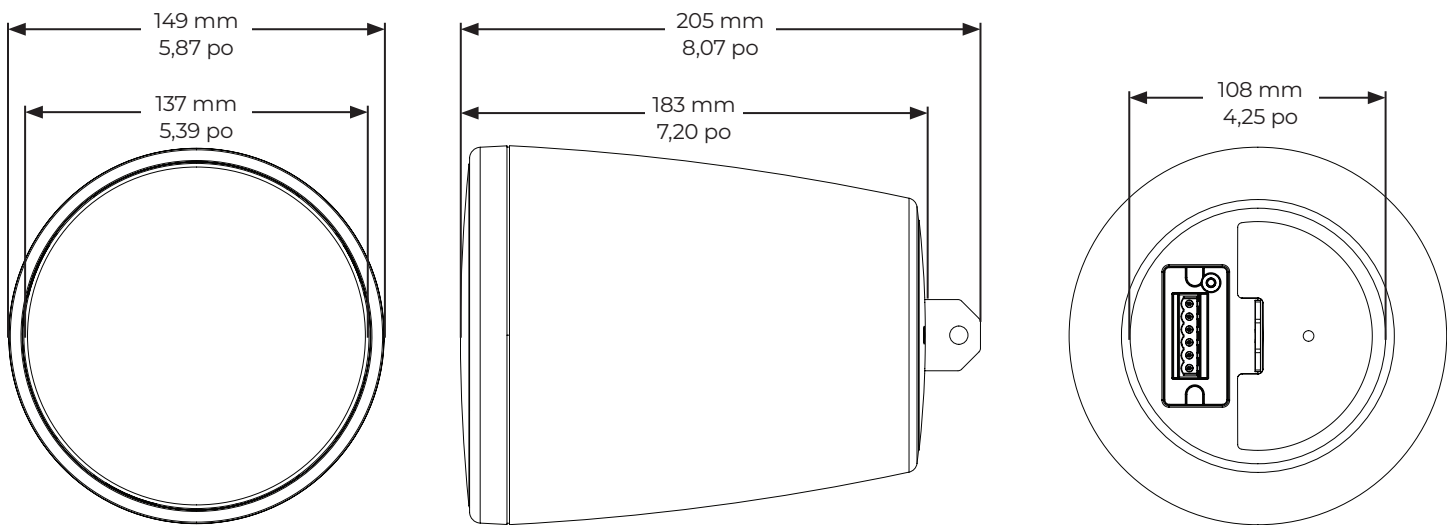
Avertissements spécifiques aux câbles :

- Les câbles ne sont pas destinés à être installés ou utilisés dans des installations humides en intérieur (par exemple piscine intérieure, parc aquatique intérieur, baignoire à remous, sauna, hammam, patinoire intérieure, etc.).
- Ne les utilisez pas pour des matériels de levage, tels qu'une grue ou une poulie, ou pour des installations suspendues qui impliquent des mouvements ou un comportement dynamique. Ils sont destinés à la suspension d'enceintes statiques uniquement.
- Ne marchez pas sur les câbles et ne vous tenez pas debout dessus.
- N'appliquez pas de peinture sur le serre-câble ou toute autre partie de l'ensemble de câbles.
- Si vous utilisez un système de câbles non fourni par Bose Professional, la limite de charge doit être égale ou supérieure à celle du système de câbles fourni.
- N'appliquez ni huile ni autre lubrifiant sur le serre-câble ou sur toute autre partie de l'ensemble de câbles.
- Ne joignez jamais deux câbles. N'utilisez qu'un seul ensemble de câbles par point de fixation de l'enceinte.
- N'utilisez le câble de suspension pour version suspendue que pour les enceintes Bose Professional suspendues.

Contenu de l'emballage



Dimensions du produit



Caractéristiques techniques

Pour consulter d'autres caractéristiques, veuillez vous reporter à la fiche technique de l'enceinte FreeSpace FS2P sur le site boseprofessional.com.

| Caractéristiques physiques | |
|--|--|
| Dimensions du produit | Diamètre de la grille : 137 mm (5,39 po) |
| | Diamètre du boîtier : 149 mm (5,87 po) |
| | Profondeur : 205 mm (8,07 po) |
| Dimensions du câble | Longueur : 4,57 m (15 pieds) |
| | Diamètre : 2 mm (0,08 po) |
| Charge maximale (charge de sécurité) ¹ | 45,36 kg (100,0 lb) |
| Poids net, enceinte avec grille (une seule enceinte) | 1,47 kg (3,25 lb) |
| Poids brut (paire d'enceintes) | 4,06 kg (8,95 lb) |
| Environnement | Utilisation en intérieur uniquement |

1. Utilisez toujours le câble dans la limite de la charge de sécurité indiquée. Pour le câble de suspension inclus, la charge de sécurité est de 45 kg (100 livres).

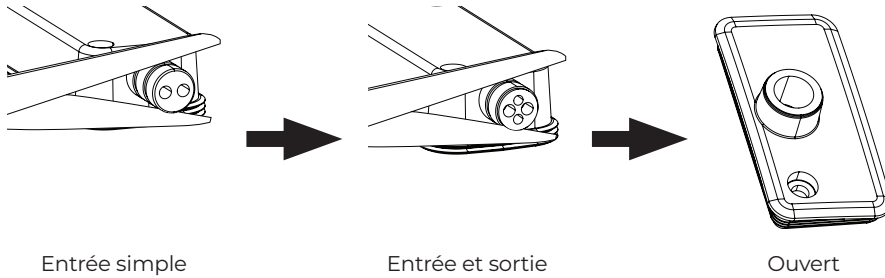
Informations importantes concernant l'installation



Avant d'installer l'enceinte, veuillez consulter les **Consignes de sécurité importantes** sur la page 12.



Pour les **applications d'alerte en cas d'incendie et d'évacuation**, conforme à l'indice IP21C comme requis par la norme EN 54-24.



Préparation du capot de protection des entrées résistant aux intempéries

Le capot de protection des entrées résistant aux intempéries est conçu pour trois scénarios de câblage différents (voir ci-dessus). Pour modifier la configuration du capot de protection des entrées en fonction de votre scénario de câblage, découpez le long de la perforation du conduit en caoutchouc.

Remarque : l'usage en intérieur uniquement ne nécessite pas l'utilisation du capot de protection des entrées.

Remarque : en cas d'utilisation d'un conduit en caoutchouc largement ouvert, il est de la responsabilité de l'installateur d'assurer l'étanchéité du connecteur Euroblock contre la pénétration d'eau.

Câblage de l'enceinte

Épaisseur des câbles

L'enceinte FreeSpace FS2P est conçue pour fonctionner avec des câbles de section 18 AWG (0,8 mm²) à 14 AWG (2,1 mm²) uniquement.

Diagrammes de connexion

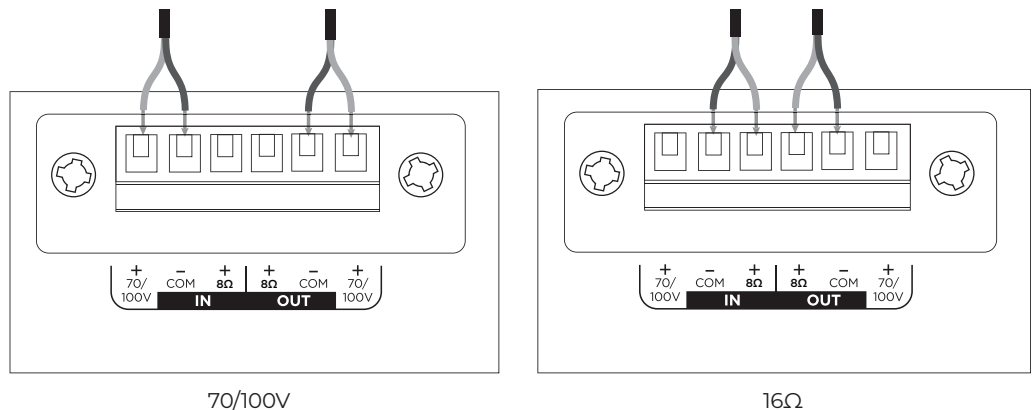
Exposez six millimètres (¼ po) de fil dénudé à relier aux bornes.

Remarque : l'enceinte n'est pas adaptée à une utilisation de câbles haut-parleur rigides. Merci de n'utiliser que du câble flexible pour le raccordement.

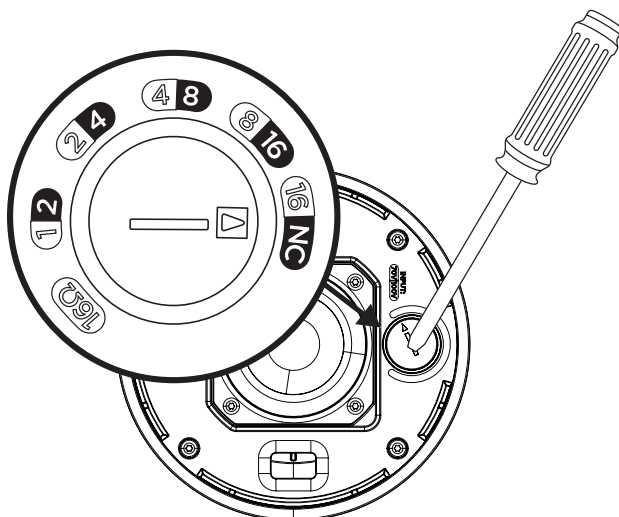
Remarque : la méthode de câblage doit être conforme aux spécifications suivantes :

Canada - CSA C22.1, Canadian Electrical Code, Part I, Safety Standard for Electrical Installations, Section 32;

États-Unis - National Electrical Code, NFPA 70.



Réglages de l'enceinte



| 70 V | | | | | 16 Ω |
|-------|-----|-----|------|-------|------|
| 1 W | 2 W | 4 W | 8 W | 16 W* | |
| 2 W | 4 W | 8 W | 16 W | NC** | |
| 100 V | | | | | |

* Réglage d'usine par défaut ** NC : pas de connexion (ne pas utiliser)

Réglage de la puissance du transformateur

Réglez la prise en la tournant. Utilisez un tournevis à tête plate.

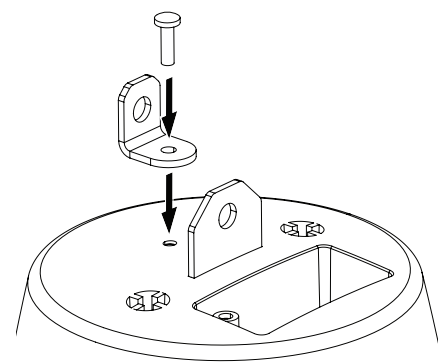
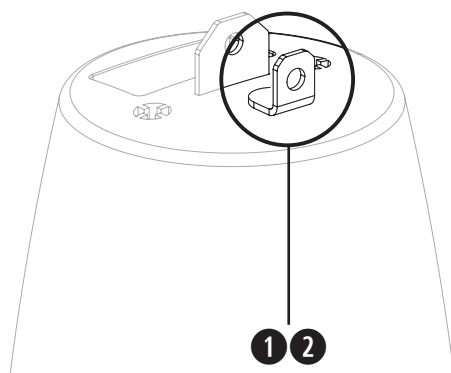
Préparation de l'installation

Utilisation d'un câble de sécurité

Le code de l'urbanisme de certaines régions impose l'utilisation d'une méthode secondaire de fixation des enceintes aux structures porteuses pour apporter une sécurité supplémentaire. Pour le montage, choisissez une position, une méthode et des accessoires compatibles avec le code de l'urbanisme local.

Bose Professional recommande l'utilisation (1) d'un fil de sécurité ou (2) d'un câble de sécurité constituant un mécanisme de sécurisation secondaire (non fourni). Reportez-vous au schéma ci-contre à droite pour prendre connaissance des points de fixation de sécurité.

Suivez les instructions du fabricant pour toute mise en œuvre d'un dispositif de sécurité secondaire.

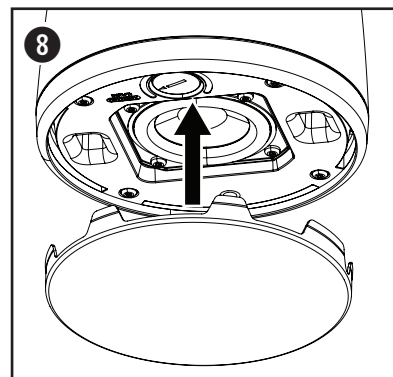
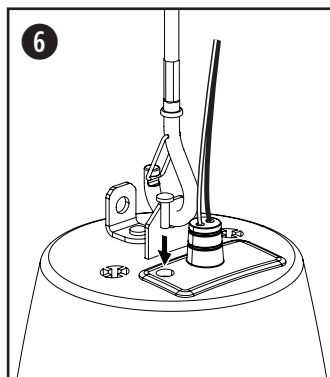
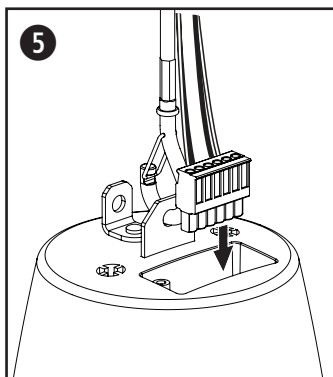
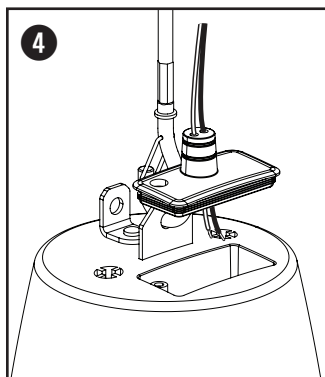
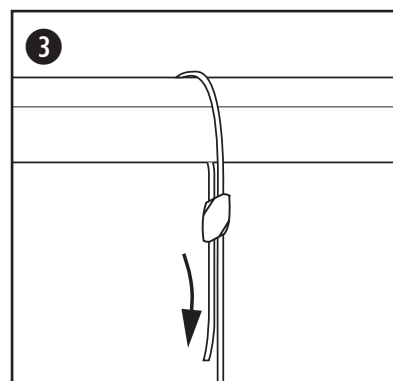
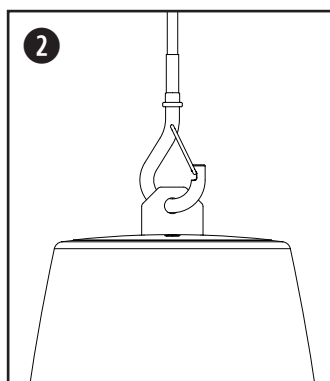
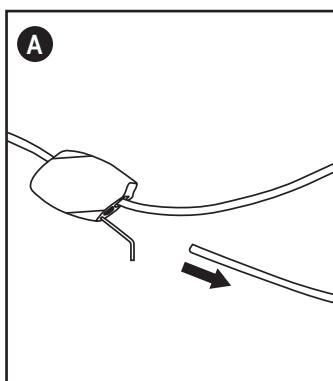
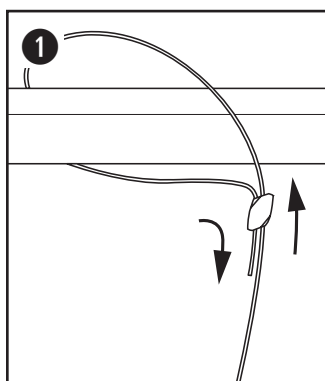


Montage de l'enceinte

1. Insérez le câble de suspension fourni dans le serre-câble et enroulez le câble autour d'une structure de support ; fixez le câble à l'aide du serre-câble. Remarque : des flèches indiquent la direction des câbles sur le serre-câble.
A. Pour desserrer le câble, insérez l'outil de fixation dans l'orifice de dégagement et ajustez le câble.
2. Fixez la pince du câble au point de fixation du câble de suspension de l'enceinte.
3. Tirez sur l'extrémité libre du câble de suspension pour régler l'enceinte à la hauteur souhaitée. Une fois que vous avez atteint la hauteur d'enceinte souhaitée, coupez la longueur de câble superflue. **Remarque :** coupez les filaments effilochés avec des coupe-fils après avoir taillé les câbles à la longueur voulue.
4. Insérez le câblage de l'enceinte dans la gaine en caoutchouc du capot de protection des entrées (voir **Préparation du capot de protection des entrées** à la page 14).
5. Branchez le connecteur et insérez-le dans l'enceinte. Consultez la section **Câblage de l'enceinte** à la page 14 pour plus d'informations sur le câblage.
6. Placez le capot de protection des entrées sur le connecteur et pressez-le fermement contre l'enceinte pour assurer une étanchéité parfaite. Fixez le capot de protection des entrées à l'aide du tournevis du capot de protection des entrées.
7. Utilisez les attaches de câble fournies pour fixer le câblage au câble de suspension.

Remarque : avant de fixer la grille, ajustez les réglages de l'enceinte sur la position appropriée pour l'installation. Consultez la section **Réglages de l'enceinte** à la page 14.

8. Alignez la grille sur l'intérieur du boîtier de l'enceinte de manière à ce que les deux plus petits ergots de la grille se trouvent des deux côtés du commutateur de la prise. Poussez la grille sur l'enceinte jusqu'à ce qu'elle soit parfaitement fixée. Si nécessaire, poussez les ergots de la grille vers l'intérieur pour faciliter son insertion dans le boîtier de l'enceinte.



Démontage de la grille

Insérez un petit outil (d'un diamètre de 1,5 mm au plus) dans l'un des trous de la grille situés dans le coin, puis tirez pour dégager la grille.



ATTENTION : n'utilisez pas de tournevis pour retirer la grille du boîtier. Vous risqueriez d'endommager l'enceinte.

Conformité aux réglementations et aux normes de sécurité en vigueur

L'enceinte FreeSpace FS2P a fait l'objet d'une phase complète de tests, et elle est conforme aux spécifications et aux utilisations suivantes :

ANSI/UL 1480A-2016, Enceintes destinées à un usage professionnel (sécurité) et commercial

Utilisation générale, catégorie UL UEAY, dossier S36835.

Utilisation à l'intérieur dans des endroits secs.

EN 54-24: 2008, Enceinte pour systèmes d'alarme vocale pour la détection d'incendie et pour systèmes d'alarme incendie dans les bâtiments

Type d'environnement : A (applications en intérieur)

Utilisable pour une installation suivant les méthodes de câblage de classe 1, 2 ou 3, conformément à la norme NFPA 70, National Electric Code, 2002, article 640.

Utilisable pour une installation suivant les méthodes de câblage de circuit d'alerte incendie selon la norme NFPA 70, National Electric Code, 2002, article 760.

NFPA 70, National Electric Code, 2002, article 300-22 (c).

NFPA 90-A, 2002, Installation de systèmes de climatisation et de ventilation, Paragraphe 4.3.10.2.6.5.

Directive CEM 89/336/EEC et article 10 (1) de cette même directive, EN50081-1 et EN50082-1, comme indiqué par le marquage CE.

L'enceinte FreeSpace FS2P a été conçue en conformité avec les exigences définies dans les spécifications réglementaires européennes suivantes relatives aux systèmes utilisés en combinaison :

British Standard Code of Practice BS 5839, partie 8, en cas d'utilisation avec le bornier céramique et le fusible thermique.

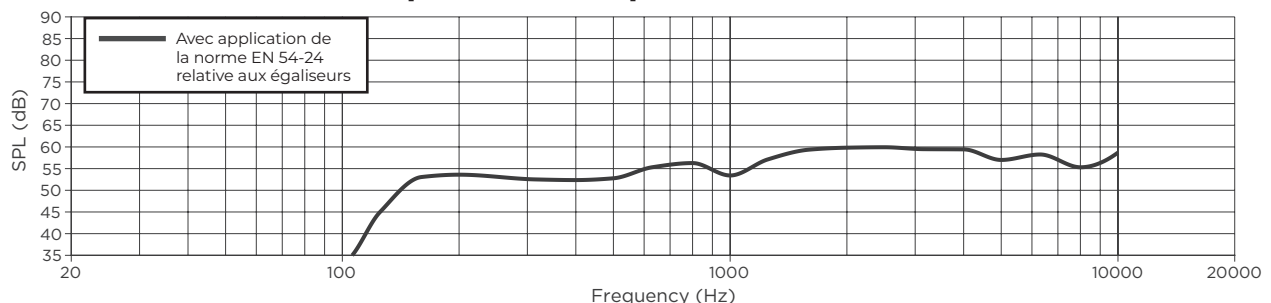
Testé conforme à la norme CEI 60268-5.

| Conforme à la norme EN 54-24 ¹ | | | | | | |
|---|-----------------|-----------|---------|---------|---------|-------|
| Réponse en fréquences | 100 Hz à 10 kHz | | | | | |
| Sensibilité (1 W à 4 m) | 70,3 dB | | | | | |
| Pression acoustique maximale mesurée à 4 m | 79,5 dB | | | | | |
| Angle de couverture par bande d'octave (Hz) | 500 | 1 000 | 2 000 | 4 000 | | |
| Couverture horizontale | 360° | 190° | 120° | 123° | | |
| Couverture verticale | 360° | 190° | 115° | 120° | | |
| Impédance nominale | | 1 W | 2 W | 4 W | 8 W | 16 W |
| | 70 V | 4 900 Ω | 2 450 Ω | 1 225 Ω | 613 Ω | 306 Ω |
| | 100 V | — | 5 000 Ω | 2 500 Ω | 1 250 Ω | 625 Ω |
| Impédance nominale passive | 16 Ω | | | | | |
| Puissance sonore nominale | 16 W | | | | | |
| Égalisation EN 54-24 | Type | Fréq. | Gain | Q | BW | |
| | PEQ | 10 900 Hz | -12 dB | 10 | 0,144 | |

Notes de bas de page

1. Les données relatives à ces caractéristiques ont été mesurées dans une chambre anéchoïque en champ libre. Le plan de référence se trouve sur la surface de la grille et est perpendiculaire à l'axe de référence. L'axe de référence est perpendiculaire au centre de la surface de la grille. Le plan horizontal contient l'axe de référence et est perpendiculaire au plan de référence.

Réponse en fréquences sur l'axe



Bitte lesen Sie alle Sicherheitshinweise und Gebrauchsanleitungen durch und bewahren Sie sie auf.

Dieses Produkt darf nur von fachkundigen Monteuren installiert werden!

Dieses Dokument soll fachkundigen Monteuren grundlegende Installations- und Sicherheitsrichtlinien für dieses Produkt in typischen Festinstallationen bieten.

Bitte lesen Sie dieses Dokument und alle Sicherheitshinweise vor der Installation durch.

Versuchen Sie nicht, dieses Produkt selbst zu warten. Lassen Sie jegliche Reparatur- und Wartungsarbeiten nur von autorisierten Servicepartnern, Monteuren, Technikern, Händlern oder Distributoren durchführen. Die Bose Professional Kontaktdaten für Ihr Land finden Sie auf boseprofessional.com.

1. Lesen Sie die folgenden Anweisungen.
2. Bewahren Sie die Anweisungen auf.
3. Beachten Sie alle Warn- und Sicherheitshinweise.
4. Befolgen Sie alle Anweisungen.
5. Verwenden Sie dieses Gerät nicht in der Nähe von Wasser.
6. Reinigen Sie das Gerät nur mit einem sauberen, trockenen Tuch.
7. Achten Sie darauf, dass die Lüftungsöffnungen nicht blockiert sind. Stellen Sie das Gerät nur in Übereinstimmung mit den Herstelleranweisungen auf.
8. Stellen Sie das Gerät nicht in der Nähe von Wärmequellen auf, wie zum Beispiel Heizkörpern, Wärmespeichern, Öfen oder anderen Geräten (auch Verstärkern), die Wärme erzeugen.
9. Verwenden Sie nur Zubehör-/Anbauteile, die vom Hersteller zugelassen sind.

Leistungsdaten:

Eingangsspannung: 70 V/100 V

Impedanz: 16 Ω, 16 W

Nennleistung: (70 V): 1 W, 2 W, 4 W, 8 W, 16 W; (100 V): 2 W, 4 W, 8 W, 16 W

Gesetzliche Hinweise



Dieses Produkt entspricht allen Anforderungen der geltenden EU-Richtlinien. Die vollständige Konformitätserklärung ist einsehbar unter: BoseProfessional.com.



Dieses Produkt erfüllt alle geltenden Vorschriften zur elektromagnetischen Verträglichkeit 2016 und alle anderen zutreffenden UK-Richtlinien. Die vollständige Konformitätserklärung ist einsehbar unter BoseProfessional.com



Dieses Symbol bedeutet, dass das Produkt nicht mit dem Hausmüll entsorgt werden darf, sondern bei einer geeigneten Sammelstelle für das Recycling abgegeben werden muss. Die ordnungsgemäße Entsorgung und das Recycling tragen dazu bei, die natürlichen Ressourcen, die Gesundheit und die Umwelt zu schützen. Weitere Informationen zur Entsorgung und zum Recycling dieses Produkts erhalten Sie von Ihrer zuständigen Kommune, Ihrem Entsorgungsdienst oder dem Geschäft, in dem Sie dieses Produkt gekauft

haben.

Herstellungsdatum: Die achte Ziffer in der Seriennummer gibt das Herstellungsjahr an: „7“ ist 2007 oder 2017.

Importeur aus der EU: Transom Post Netherlands B.V., Keizersgracht 391A, 1016 EJ, Amsterdam | **Importeur aus Großbritannien:** Transom Post Netherlands UK, Squires House 205a High Street, West Wickham, BR4 0PH | **Importeur aus Japan:** Transom Post International Japan KK Co., Ltd. PMO Tamachi IV Shiba5-29-19, Minato-ku, Tokio | **Importeur aus Australien:** Transom Post Australia Pty. Ltd., Level 14, 60 Margaret Street, Sydney, NSW 2000 | **Importeur aus China:** Transom Post (Shanghai) Audio Co. Ltd Room 2209, Building 1, 175 Longyao Road, Xuhui District, Shanghai | **Importeur aus Mexiko:** POST INTL MEXICO, S. DE R.L. DE C.V. Insurgentes Sur No. 1079, 1st Floor, Colonia Noche Buena, Benito Juárez, C.P. 03270, Mexiko-Stadt | **Importeur aus den VAE:** 102 A, Sama Tower Sheikh Zayed Road, Dubai, VAE

Bose ist eine Marke der Bose Corporation.

FreeSpace ist eine Marke der Transom Post OpCo LLC.

Bose Professional, 117 South St, Hopkinton, MA 01748 USA

©2024 Transom Post OpCo LLC. Dieses Dokument darf ohne vorherige schriftliche Genehmigung weder ganz noch teilweise reproduziert, verändert, vertrieben oder in anderer Weise verwendet werden.

Garantiehinweise

Für dieses Produkt gilt eine eingeschränkte Garantie.

Informationen zur Garantie finden Sie unter boseprofessional.com.



WARNHINWEISE



Dieses Produkt enthält magnetische Materialien. Wenden Sie sich an Ihren Arzt, wenn Sie wissen möchten, ob dies den Betrieb Ihres implantierten medizinischen Geräts beeinflussen kann.



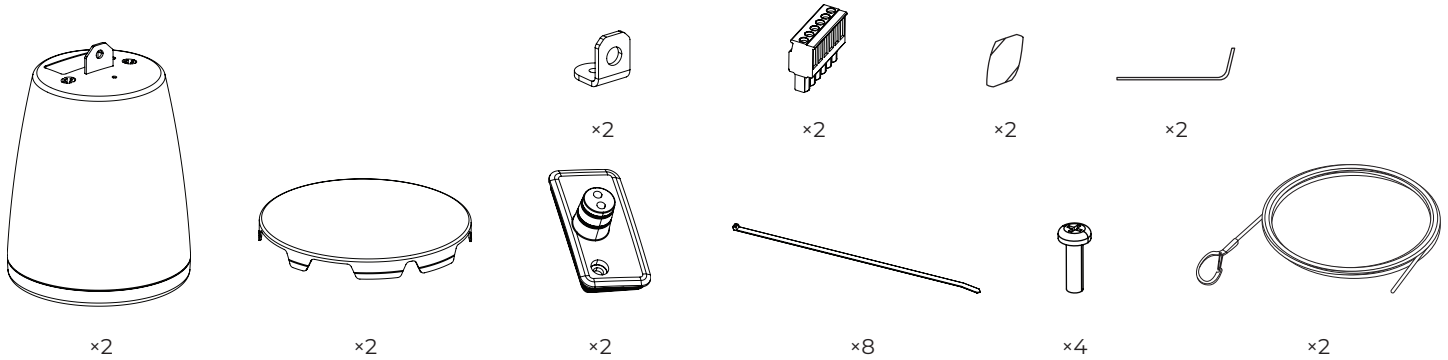
Enthält kleine Teile, die verschluckt werden können und eine Erstickungsgefahr darstellen. Nicht geeignet für Kinder unter drei Jahren.

- Dieses Produkt ist nur für den Gebrauch im Innenbereich bestimmt.
- Alle Produkte von Bose Professional müssen gemäß den örtlichen und staatlichen Vorschriften sowie gemäß allen Branchenbestimmungen installiert werden. Der Monteur ist dafür verantwortlich, sicherzustellen, dass die Installation der Lautsprecher und der Halterung gemäß allen geltenden Vorschriften durchgeführt wird, einschließlich örtlicher Bauvorschriften und -bestimmungen. Wenden Sie sich vor der Installation dieses Produkts an die zuständige abnehmende Behörde.
- Eine nicht ausreichend gesicherte Montage schwerer Lasten oder deren Aufhängung über Kopf kann zu schweren oder tödlichen Verletzungen und Sachschäden führen. Der Monteur ist dafür verantwortlich, die Zuverlässigkeit der für die Anwendung verwendeten Befestigungstechniken zu prüfen. Nur fachkundige Monteur mit Wissen über sachgemäße Befestigungselemente und sichere Befestigungstechniken sollten Lautsprecher über Kopf installieren.
- Montieren Sie das Produkt nicht an Orten, an denen es starker Feuchtigkeit ausgesetzt ist oder Kondenswasser auftreten kann.
- Schützen Sie dieses Produkt vor tropfenden oder spritzenden Flüssigkeiten und stellen Sie keine mit Flüssigkeiten gefüllten Gefäße (z. B. Vasen) auf das Produkt oder in die Nähe des Produkts.
- Dieses Produkt ist nicht für die Installation oder Verwendung in Feuchtbereichen (zum Beispiel Schwimmbädern, Wasserparks, Räumen mit Whirlpools, Saunas, Dampfbädern und Eislaufbahnen) gedacht.
- Bei der Montage ist auf eine tragfähige Oberfläche zu achten, in deren Nähe sich keine Einrichtungen wie strom- oder wasserführende Leitungen befinden. Stellen Sie sicher, dass die Halterung von einem fachkundigen Monteur und gemäß den örtlichen Bauvorschriften montiert wird.
- Verwenden Sie für die Montage ausschließlich die im Lieferumfang enthaltenen oder von Bose Professional für die Verwendung mit den FreeSpace FS2P Lautsprechern zugelassene Hardware und entsprechende Zubehörteile. Informationen zu kompatiblen Zubehörteilen finden Sie in den technischen Datenblättern auf boseprofessional.com.
- Halten Sie das Produkt von Feuer und Wärmequellen fern. Stellen Sie keine brennenden Kerzen oder ähnliches auf das Gerät oder in die Nähe des Geräts.
- Nehmen Sie keine nicht genehmigten Änderungen an diesem Produkt vor.
- Stellen Sie sicher, dass der Lautsprecher und die Montagekomponenten nicht mit chemischen Substanzen in Berührung kommen, die nicht von Bose Professional zugelassen sind. Dies umfasst unter anderem Schmiermittel, Reinigungsmittel, Kontaktspray oder Lösungsmittel auf Kohlenwasserstoffbasis. Der Kontakt mit solchen Mitteln kann zu Rissen im Kunststoffmaterial und infolgedessen zum Herunterfallen führen.
- Die Lautsprecher nur mit einem weichen, trockenen Tuch reinigen. Verwenden Sie zur Reinigung niemals Seife, Spülmittel, Mineralöl, Alkohol oder sonstige Reinigungsmittel oder Chemikalien.

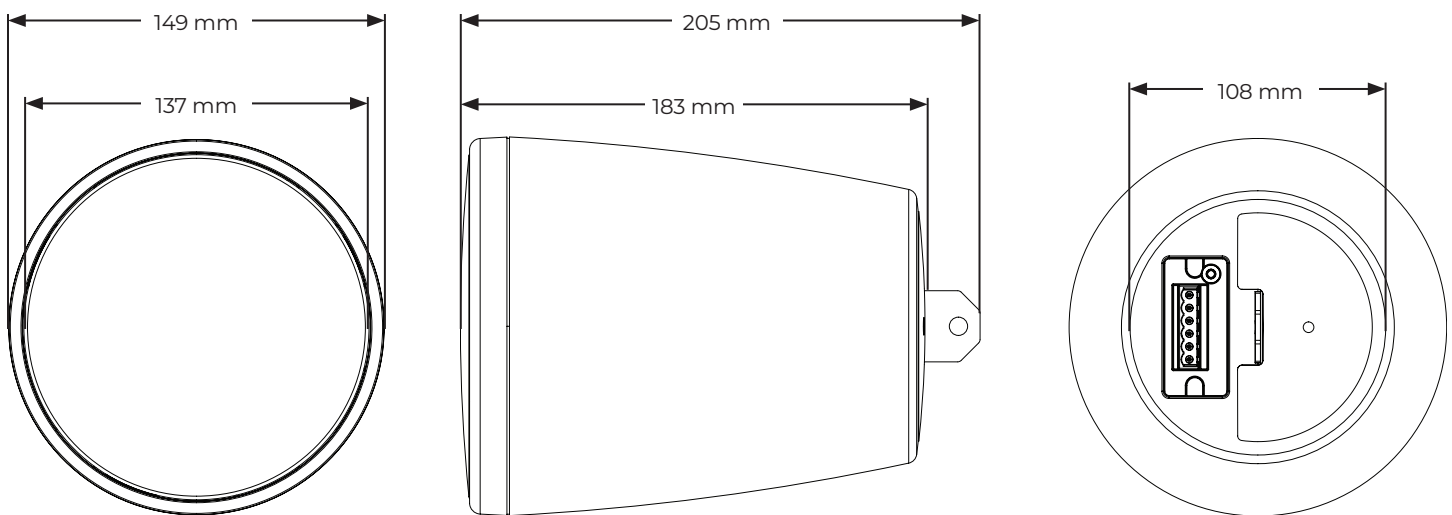
Warnhinweise zum Sicherungsseil:

- Das Sicherungsseil ist nicht für die Installation oder Verwendung in Feuchtbereichen (zum Beispiel Schwimmbädern, Wasserparks, Räume mit Whirlpools, Saunas, Dampfbäder und Eislaufbahnen) gedacht.
- Es darf nicht zum Tragen von Lasten, wie z. B. bei einem Kran oder Flaschenzug, oder zum Aufhängen von Systemen verwendet werden, die sich in Bewegung befinden oder ein dynamisches Verhalten aufweisen. Es ist nur zur Montage von statischen Lautsprechern vorgesehen.
- Nicht auf montierten Seilen gehen oder stehen.
- Das Sicherungselement oder andere Teile des Sicherungsseils dürfen nicht lackiert werden.
- Wenn Sie ein Sicherungsseil verwenden, das nicht von Bose Professional bereitgestellt wurde, muss die maximale Nutzlast gleich oder größer als beim mitgelieferten Seilsystem sein.
- Es dürfen keine Öle oder anderen Schmiermittel auf dem Sicherungselement oder anderen Teilen des Sicherungsseils aufgetragen werden.
- Niemals zwei Seile miteinander verbinden. Es darf nur ein Sicherungsseil pro Lautsprecher-Montagepunkt verwendet werden.
- Bei Bose Professional Lautsprechern für die abgehängte Montage ist das entsprechende Montagegeseil für die abgehängte Montage zu verwenden.

Verpackungsinhalt



Produktabmessungen



Technische Spezifikationen

Weitere technische Spezifikationen können Sie dem technischen Datenblatt für die FreeSpace FS2P Lautsprecher auf boseprofessional.com entnehmen.

| Material, Abmessungen, Gewicht | |
|---|--------------------------------------|
| Produktabmessungen | Durchmesser Abdeckgitter: 137 mm |
| | Gehäusedurchmesser: 149 mm |
| | Tiefe: 205 mm |
| Kabelabmessungen | Länge: 4,57 m |
| | Durchmesser: 2 mm |
| Max. Last (sichere Arbeitslast) ¹ | 45,36 kg (100,0 lb) |
| Nettogewicht – Lautsprecher und Abdeckgitter (1 Stück) | 1,47 kg |
| Versandgewicht (2 Stück) | 4,06 kg |
| Umgebungsbedingungen | Nur für den Gebrauch im Innenbereich |

1. Verwenden Sie das Seil ausschließlich bis zur angegebenen sicheren Arbeitslast. Die sichere Arbeitslast des im Lieferumfang enthaltenen Montageseils beträgt 45 kg.

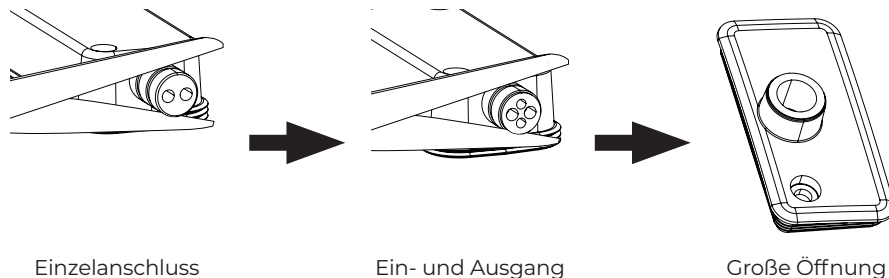
Wichtige Installationshinweise



Bitte lesen Sie vor der Installation des Lautsprechers den Abschnitt **Wichtige Sicherheitshinweise** auf Seite 17.



Geeignet für **Branderkennungs- und Brandmeldesysteme** sowie für den Einsatz im Außenbereich (Schutzart IP21C) gemäß EN 54-24.



Vorbereitung der wetterbeständigen Abdeckung der Anschlüsse

Die wetterbeständige Abdeckung der Anschlüsse ist für drei verschiedene Anschlussarten geeignet (siehe oben). Um die Abdeckung an die gewünschte Anschlussart anzupassen, schneiden Sie die Gummiummantelung entlang der entsprechenden Perforation ab.

Hinweis: Bei Verwendung ausschließlich im Innenbereich ist eine Abdeckung der Anschlüsse nicht notwendig.

Hinweis: Wird die große Öffnung der Gummiummantelung verwendet, ist der Monteur dafür verantwortlich, sie so abzudichten, dass der Euroblock-Anschluss vor eindringendem Wasser geschützt ist.

Verkabeln des Lautsprechers

Kabeldurchmesser

Der FreeSpace FS2P Lautsprecher wurde für den ausschließlichen Gebrauch mit Kabeln der Größen 18 AWG (0,8 mm²) bis 14 AWG (2,1 mm²) entwickelt.

Anschlussdiagramme

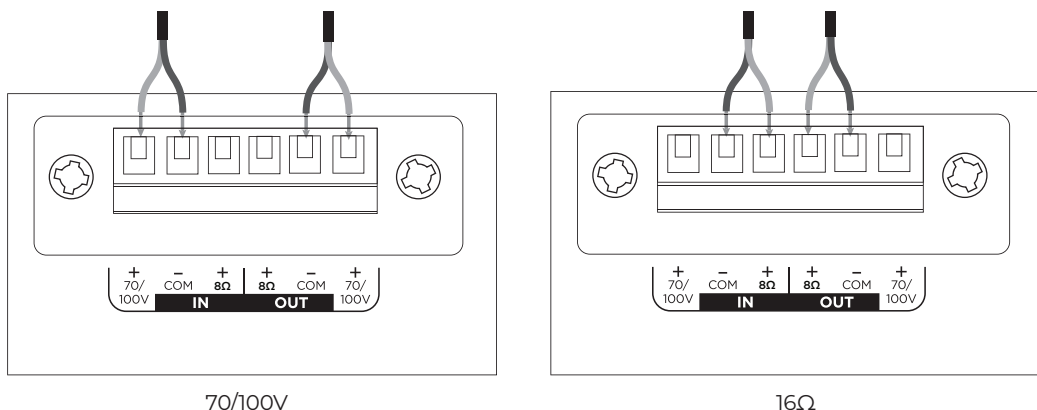
Isolieren Sie einen Teil des Drahtes (6 mm) für den Anschluss an die Anschlüsse ab.

Hinweis: Der Lautsprecher ist nicht für die Verwendung mit einem Kabelschutzrohr geeignet. Der Lautsprecher ist für Kabel mit flexiblem Mantel oder Einzeldrähte vorgesehen.

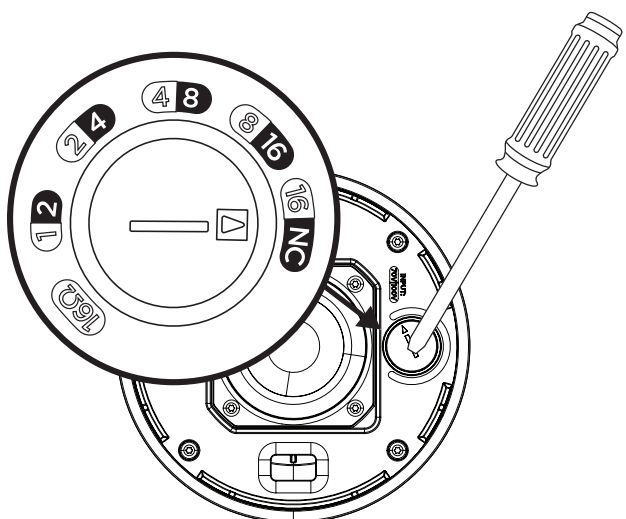
Hinweis: Die Verdrahtung muss den folgenden Vorschriften entsprechen:

In Kanada: CSA C22.1, Canadian Electrical Code, Teil I, Safety Standard for Electrical Installations, Abschnitt 32

In den USA: National Electrical Code, NFPA 70.



Lautsprechereinstellungen



| | | | | | |
|--------------|-----|-----|------|-------|-------------|
| 70 V | | | | | 16 Ω |
| 1 W | 2 W | 4 W | 8 W | 16 W* | |
| 2 W | 4 W | 8 W | 16 W | KA** | |
| 100 V | | | | | |

* Werkseinstellung

** KA: Kein Anschluss (nicht verwenden)

Einstellen des Leistungsabgriffes am Übertrager

Stellen Sie die Leistungsabgabe durch Drehen ein. Verwenden Sie dafür einen Schlitzschraubendreher.

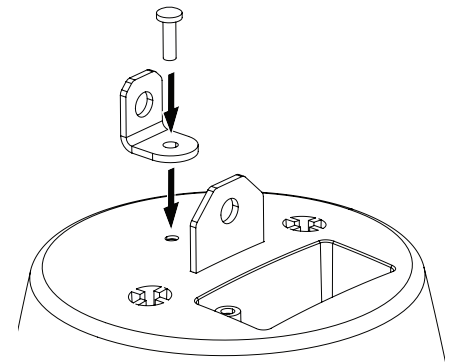
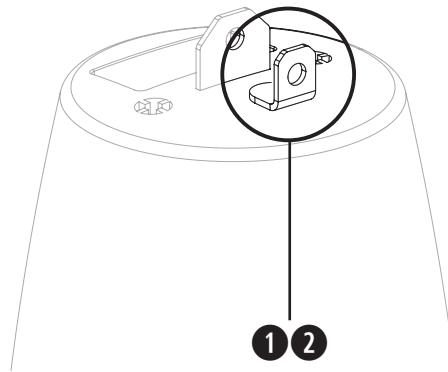
Vorbereitung der Montage

Verwendung eines Sicherungsseils

Einige Bauvorschriften schreiben als Sicherheitsvorkehrung vor, den Lautsprecher an einer tragenden Konstruktion zusätzlich abzusichern. Wählen Sie eine Montageposition und -methode sowie Werkzeuge, die den örtlichen Bauvorschriften entsprechen.

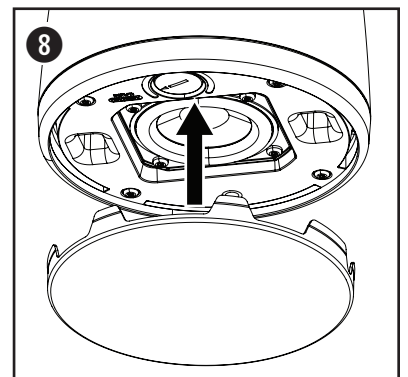
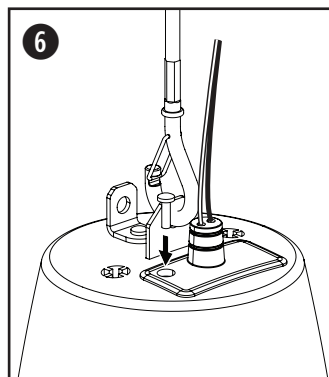
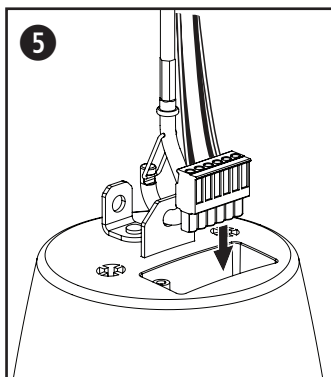
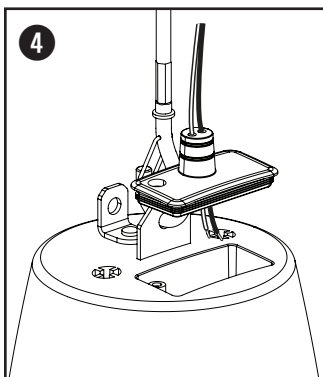
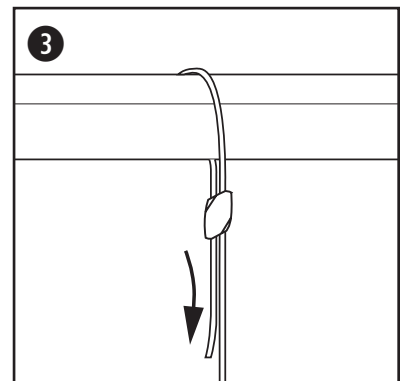
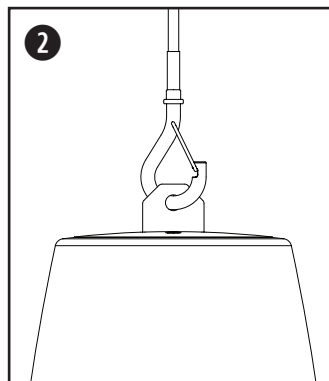
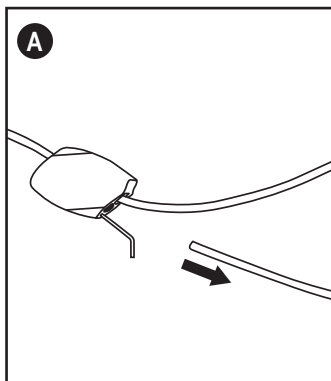
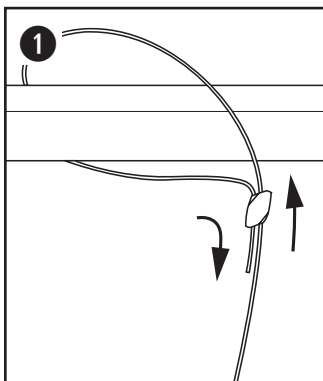
Bose Professional empfiehlt die Verwendung (1) eines Sicherungsdrahtes oder (2) eines Sicherungsseils zur zusätzlichen Absicherung der Konstruktion (nicht im Lieferumfang enthalten). Befestigungspunkte für Sicherheitsaufhängungen können Sie dem Diagramm auf der rechten Seite entnehmen.

Befolgen Sie bei der Montage zusätzlicher Sicherheitsmechanismen die Anweisungen des Herstellers.



Befestigung des Lautsprechers

- Führen Sie das mitgelieferte Montagegeseil einseitig durch das Sicherungselement und wickeln Sie das Seil um eine tragende Konstruktion. Sichern Sie das Seil mit dem Sicherungselement. Hinweis: Pfeile auf dem Sicherungselement zeigen die Seilrichtung an.
 - Um das Seil zu lösen, führen Sie das Sicherungselementwerkzeug in die Entriegelungsöffnung ein und passen Sie das Seil an.
 - Befestigen Sie die Seilschelle am Befestigungspunkt für das Montagegeseil des Lautsprechers.
 - Ziehen Sie am losen Ende des Montagegeseils, um die gewünschte Höhe des Lautsprechers einzustellen. Schneiden Sie anschließend die überschüssige Seillänge ab. **Hinweis:** Schneiden Sie ausgefranste Drähte nach dem Anpassen der Länge mit einem Drahtschneider ab.
 - Führen Sie die Lautsprecherkabel durch die Gummiummantelung der Abdeckung der Anschlüsse (siehe **Vorbereitung der Abdeckung der Anschlüsse** auf Seite 19).
 - Schließen Sie das Kabel an den Anschluss an und führen Sie den Anschluss ganz in die den Lautsprecher ein. Weitere Informationen zur Verkabelung finden Sie unter **Verkabeln des Lautsprechers** auf Seite 19.
 - Positionieren Sie die Abdeckung der Anschlüsse über den Anschlüssen und drücken Sie sie fest auf den Lautsprecher, um die Abdeckung abzudichten. Befestigen Sie die Abdeckung der Anschlüsse mit der entsprechenden Schraube.
 - Verwenden Sie die mitgelieferten Kabelbinder, um die Verkabelung am Montagegeseil zu befestigen.
- Hinweis:** Passen Sie vor dem Anbringen der Frontabdeckung die Einstellungen der Übertragerabgriffe an die für die Installation geeignete Einstellung an. Siehe **Lautsprechereinstellungen** auf Seite 19.
- Richten Sie die Frontabdeckung an der Innenseite des Lautsprechergehäuses aus, sodass sich die beiden kleinsten Abdeckungslaschen jeweils an den Seiten des Tap-Reglers befinden. Drücken Sie die Abdeckung vorsichtig auf den Lautsprecher, bis sie fest einrastet. Drücken Sie bei Bedarf die Abdeckungslaschen nach innen, damit sie richtig in das Lautsprechergehäuse passen.



Entfernen der Frontabdeckung

Führen Sie ein kleines Werkzeug (mit einem Durchmesser von maximal 1,5 mm) durch die Perforation am Rand der Frontabdeckung ein und ziehen Sie, um die Abdeckung zu lösen.



ACHTUNG: Verwenden Sie keinen Schraubendreher, um die Frontabdeckung vom Gehäuse abzuhebeln. Dies kann zu Schäden am Lautsprecher führen.

Sicherheitshinweise und gesetzliche Bestimmungen

Der FreeSpace FS2P Lautsprecher hat die Testreihen bestanden und entspricht den folgenden Normen und Einsatzanforderungen:

Zulassung nach ANSI/UL 1480A-2016, Speakers for Commercial & Safety Professional Use

Allgemeine Gebrauchsfähigkeit – UL-Kategorie UEAY, Aktenzeichen S36835.

Geeignet für die Verwendung in Innenbereichen unter trockenen Bedingungen.

EN 54-24: 2008, Lautsprecher für Sprachalarmanlagen bei Branderkennungs- und Brandmeldesystemen in Gebäuden

Empfohlene Umgebung: A (Innenbereich)

Geeignet für die Installation mit Verkabelungsverfahren der Klasse 1, Klasse 2 oder Klasse 3 gemäß NFPA 70, National Electric Code, 2002, Artikel 640.

Geeignet für den Einsatz mit Verkabelungsmethoden für Feueralarmschaltkreise nach NFPA 70, National Electric Code, 2002, Artikel 760.

NFPA 70, National Electric Code, 2002, Artikel 300-22 (c).

NFPA 90-A, 2002, Installation of Air Conditioning and Ventilation Systems, Paragraph 4.3.10.2.6.5.

EMC-Richtlinie 89/336/EEC und Artikel 10 (1) der Richtlinie, EN50081-1 und EN50082-1 gemäß CE-Prüfzeichen.

Der FreeSpace FS2P Lautsprecher wurde gemäß den Anforderungen der folgenden EU-Norm für kombinierte Systeme entwickelt:

British Standard Code of Practice BS 5839, Teil 8, bei Verwendung mit Keramikanschluss und Thermosicherung.

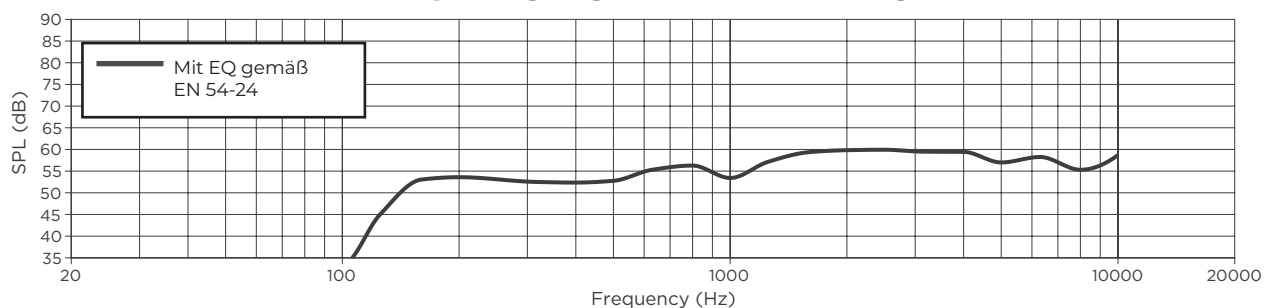
Getestet gemäß IEC60268-5.

| EN 54-24-Zertifizierungsbestimmungen ¹ | | | | | |
|---|-------------------|-----------------|--------------------|-----------------|------------------------|
| Frequenzbereich | 100 Hz bis 10 kHz | | | | |
| Empfindlichkeit (1 W bei 4 m) | 70,3 dB | | | | |
| Gemessener max. SPL bei 4 m | 79,5 dB | | | | |
| Abstrahlwinkel Oktavband (Hz) | 500 | 1.000 | 2.000 | 4.000 | |
| Horizontale Abstrahlung | 360° | 190° | 120° | 123° | |
| Vertikale Abstrahlung | 360° | 190° | 115° | 120° | |
| Nennimpedanz | | 1 W | 2 W | 4 W | 8 W 16 W |
| | 70 V | 4.900 Ω | 2.450 Ω | 1.225 Ω | 613 Ω 306 Ω |
| | 100 V | – | 5.000 Ω | 2.500 Ω | 1.250 Ω 625 Ω |
| Passive Nennimpedanz | 16 Ω | | | | |
| Nennrauschleistung | 16 W | | | | |
| Equalisierung gemäß EN 54-24 | Typ | Frequenz | Verstärkung | Q-Faktor | Bandbreite |
| | PEQ | 10.900 Hz | -12 dB | 10 | 0,144 |

Fußnoten

- Die Spezifikationsdaten wurden in einem reflexionsarmen Raum im Freifeld gemessen. Die Referenzebene befindet sich auf der Oberfläche der Abdeckung und ist senkrecht zur Referenzachse. Die Referenzachse ist senkrecht zur Mitte der Abdeckungsoberfläche. Die horizontale Ebene umfasst die Referenzachse und ist senkrecht zur Referenzebene.

Frequenzgang bei Achsmessung



Leggere e conservare tutte le istruzioni per la sicurezza e per l'uso.

Questo prodotto deve essere installato esclusivamente da installatori professionisti.

Il presente documento ha lo scopo di fornire agli installatori professionisti le istruzioni di base per l'installazione di questo prodotto in tipici sistemi da installazione fissa. Prima dell'installazione, leggere questo documento e le avvertenze sulla sicurezza.

Non tentare di riparare il prodotto autonomamente. Per tutti gli interventi di assistenza, rivolgeti ai centri assistenza, agli installatori, ai tecnici, ai rivenditori o ai distributori autorizzati. Per contattare Bose Professional o per trovare il rivenditore o distributore più vicino, visita boseprofessional.com.

1. Leggere queste istruzioni.
2. Conservare queste istruzioni.
3. Prestare attenzione a tutte le avvertenze.
4. Seguire tutte le istruzioni.
5. Non utilizzare l'apparecchio in prossimità di acqua.
6. Per la pulizia utilizzare un semplice panno asciutto.
7. Non ostruire le aperture di ventilazione. Installare il prodotto in conformità con le istruzioni fornite dal produttore.
8. Non installare in prossimità di fonti di calore, quali termosifoni, radiatori, stufe o altri apparecchi (compresi gli amplificatori) che generino calore.
9. Utilizzare solo sistemi di fissaggio/accessori specificati dal produttore.


Specifiche di prodotto


Tensione d'ingresso: 70 V/100 V


Impedenza: 16 Ω, 16 W

Potenze: (70 V): 1W, 2W, 4W, 8W, 16W; (100 V): 2W, 4W, 8W, 16W

Informazioni sulle normative

 Questo prodotto è conforme a tutti i requisiti pertinenti delle direttive UE. La dichiarazione di conformità completa è disponibile all'indirizzo: BoseProfessional.com.

 Il presente prodotto è conforme a tutte le normative sulla compatibilità elettromagnetica del 2016 e a tutte le altre normative del Regno Unito applicabili. La dichiarazione di conformità completa è disponibile all'indirizzo: BoseProfessional.com

 Questo simbolo indica che il prodotto non deve essere smaltito con i rifiuti domestici, ma deve essere consegnato a una struttura di raccolta appropriata per il riciclaggio. Uno smaltimento e un riciclaggio corretti aiutano a preservare le risorse naturali, la salute e l'ambiente. Per ulteriori informazioni sullo smaltimento e sul riciclaggio di questo prodotto, rivolgersi alle autorità locali, al servizio di smaltimento dei rifiuti o al negozio presso il quale è stato acquistato.

Data di produzione: l'ottava cifra del numero di serie corrisponde all'anno di produzione; ad esempio "7" indica 2007 o 2017.

Importatore per l'UE: Transom Post Netherlands B.V., Keizersgracht 391A, 1016 EJ, Amsterdam | **Importatore per il Regno Unito:** Transom Post Netherlands UK, Squires House 205a High Street, West Wickham, BR4 0PH | **Importatore per il Giappone:** Transom Post International Japan KK Co., Ltd. PMO Tamachi IV Shiba5-29-19, Minato-ku, Tokyo | **Importatore per l'Australia:** Transom Post Australia Pty. Ltd., Level 14, 60 Margaret Street, Sydney, NSW 2000 | **Importatore per la Cina:** Transom Post (Shanghai) Audio Co. Ltd Room 2209, Building 1, 175 Longyao Road, Xuhui District, Shanghai | **Importatore per il Messico:** POST INTL MEXICO, S. DE R.L. DE C.V. Insurgentes Sur No. 1079, 1st floor, Colonia Noche Buena, Benito Juárez, C.P. 03270, Città del Messico | **Importatore per gli Emirati Arabi Uniti:** 102 A, Sama Tower Sheikh Zayed Road, Dubai, Emirati Arabi Uniti

Bose è un marchio registrato di Bose Corporation.

FreeSpace è un marchio registrato di Transom Post OpCo LLC.

Bose Professional, 117 South St, Hopkinton, MA 01748 USA

©2024 Transom Post OpCo LLC. Nessuna parte di questo documento può essere riprodotta, modificata, distribuita o usata in altro modo senza previa autorizzazione scritta.

Informazioni sulla garanzia

Questo prodotto è coperto da una garanzia limitata.

Per i dettagli sulla garanzia, visitare boseprofessional.com.

AVVISI/AVVERTENZE



Questo prodotto contiene materiale magnetico. Rivolgersi al proprio medico per eventuali domande sui possibili effetti del prodotto sui dispositivi medici impiantati nel corpo umano.



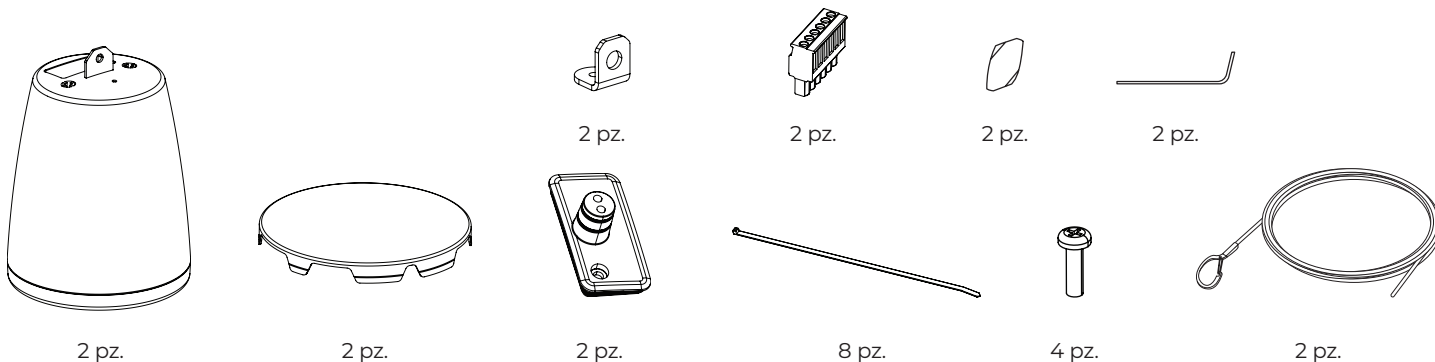
Contiene pezzi di piccole dimensioni che possono rappresentare un pericolo di soffocamento. Non adatto ai bambini di età inferiore a 3 anni.

- Questo prodotto è destinato esclusivamente all'utilizzo in ambienti interni.
- Tutti i prodotti Bose Professional devono essere installati in conformità con gli standard locali, statali, federali e di settore. È responsabilità dell'installatore assicurare che l'installazione dei diffusori e del sistema di montaggio venga eseguita in conformità con le normative vigenti, compresi i regolamenti edilizi locali. Prima di installare il prodotto, chiedere informazioni all'autorità locale preposta.
- L'installazione o la sospensione non sicura di carichi pesanti può causare gravi lesioni alle persone e danni materiali. È responsabilità dell'installatore valutare l'affidabilità del metodo di installazione utilizzato per l'applicazione specifica. Solo installatori professionisti esperti possono installare un diffusore in posizione sospesa.
- Non posizionare il prodotto in punti dove possa essere esposto ad acqua o condensa.
- Non esporre questo prodotto a gocce o getti di liquidi e non porre oggetti contenenti liquidi quali vasi sopra o in prossimità di esso.
- Il prodotto non deve essere installato né utilizzato in aree di servizio o intrattenimento vicine all'acqua (ad es. piscine coperte, parchi acquatici al chiuso, sale con vasche riscaldate, saune, bagni turchi e piste di pattinaggio al chiuso).
- Non eseguire l'installazione su superfici non sufficientemente robuste o dietro le quali si nascondono elementi potenzialmente pericolosi, quali cavi elettrici o tubazioni idrauliche. Assicurarsi che la staffa sia installata da un installatore professionista e in conformità alle norme edilizie locali.
- Utilizzare solo componenti e accessori forniti o specificati da Bose Professional per l'uso con i diffusori FreeSpace FS2P. Per informazioni sugli accessori compatibili, consultare la scheda tecnica del prodotto all'indirizzo boseprofessional.com.
- Tenere il prodotto lontano dal fuoco e da fonti di calore. Non collocare sorgenti di fiamme libere (ad esempio, candele accese) sull'apparecchio o in prossimità di esso.
- Non apportare alterazioni non autorizzate al prodotto.
- Evitare di esporre il diffusore o i suoi componenti di montaggio a sostanze chimiche non specificate da Bose Professional, inclusi a titolo esemplificativo lubrificanti, detergenti, spray per contatti e altri solventi a base di idrocarburi. L'esposizione a tali sostanze può danneggiare i materiali plastici e causare spaccature, con conseguenti rischi di caduta.
- Utilizzare esclusivamente un panno asciutto per pulire i diffusori. Non esporre il diffusore a saponi, detergenti, oli minerali o alcol, né ad altri detergenti o prodotti chimici.

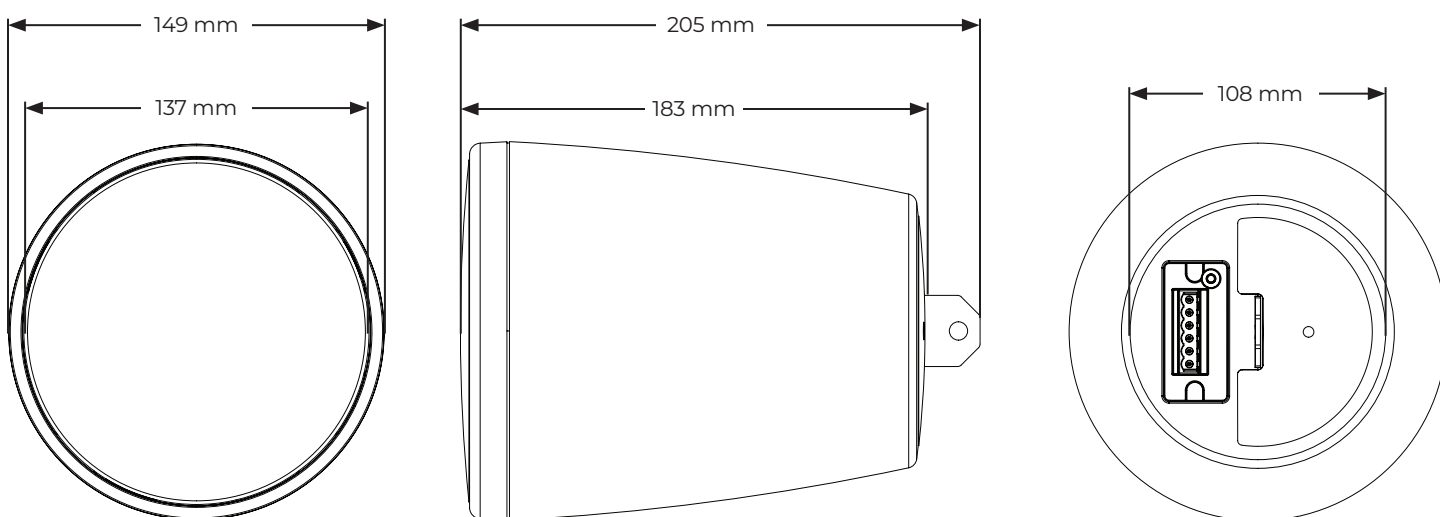
Avvertenze specifiche per il cavo:

- Il cavo non deve essere installato o utilizzato in aree di servizio o intrattenimento vicine all'acqua (ad esempio piscine coperte, parchi acquatici al chiuso, sale con vasche riscaldate, saune, bagni turchi e piste di pattinaggio al chiuso).
- Non utilizzarlo per il sollevamento, ad esempio come paranco o puleggia, o per appendere installazioni soggette a movimenti o comportamenti dinamici. Indicato per appendere solo diffusori statici.
- Non camminare né sostare sul cavo installato.
- Non verniciare il fissaggio del cavo né qualsiasi altra parte del gruppo dei cavi.
- Se si utilizza un sistema di cavi non fornito da Bose Professional, il carico di lavoro deve essere uguale o superiore a quello del sistema di cavi fornito.
- Non applicare olio o qualsiasi altro lubrificante sul morsetto fermacavo o su qualsiasi altra parte del gruppo del cavo.
- Non unire insieme due cavi. Usare un solo gruppo di cavi per ogni punto in cui viene appeso un diffusore.
- Utilizzare il cavo per sospensione solo per i diffusori Bose Professional a sospensione.

Contenuto della confezione



Dimensioni del prodotto



Specifiche tecniche

Per ulteriori specifiche, consultare la scheda tecnica del diffusore FreeSpace FS2P all'indirizzo boseprofessional.com. Per le specifiche EN 54-24 (inclusa EQ esterna obbligatoria), leggere le valutazioni di certificazione FreeSpace FS2P EN 54-24 (AM857610 Rev. 01) all'indirizzo boseprofessional.com.

| Caratteristiche fisiche | |
|---|--------------------------|
| Dimensioni del prodotto | Diametro griglia: 137 mm |
| | Diametro cabinet: 149 mm |
| | Profondità: 205 mm |
| Dimensioni dei cavi | Lunghezza: 4,57 m |
| | Diametro: 2 mm |
| Carico massimo (carico di lavoro di sicurezza)¹ | 45,36 kg |
| Peso netto del diffusore con griglia (singolo) | 1,47 kg |
| Peso di spedizione (coppia) | 4,06 kg |
| Dati ambientali | Solo per interni |

¹ Utilizzare sempre il cavo entro il carico di lavoro di sicurezza dichiarato. Il cavo per sospensione incluso ha un carico di lavoro di sicurezza di 45 kg.

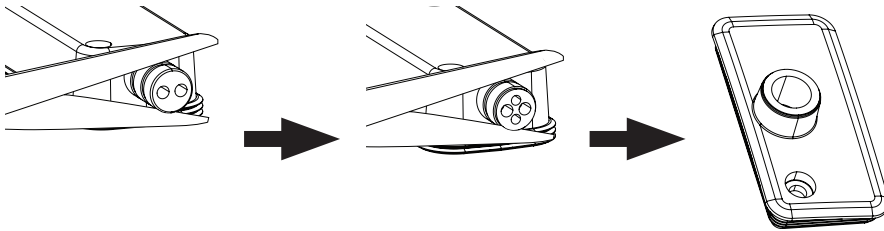
Informazioni importanti sull'installazione



Prima di installare il diffusore, consultare la sezione **Istruzioni importanti sulla sicurezza** a pagina 22.



Per le applicazioni di segnalazione incendi ed evacuazioni, certificazione ambientale IP21C secondo EN 54-24.



Ingresso singolo

Ingresso e uscita

Ampia apertura

Preparazione della cover di protezione degli ingressi resistente agli agenti atmosferici

La cover di protezione degli ingressi resistente agli agenti atmosferici è progettata per tre diversi tipi di cablaggio (vedere sopra). Per adattare la configurazione della cover di protezione degli ingressi al tipo di cablaggio in uso, tagliare il tubo protettivo in gomma lungo la perforazione.

Nota: le applicazioni solo per interni non richiedono l'uso della cover di protezione degli ingressi.

Nota: se viene utilizzata la configurazione con tubo protettivo in gomma aperto, è responsabilità dell'installatore sigillarlo per prevenire penetrazioni di acqua nel connettore Euroblock.

Cablaggio del diffusore

Diametro dei cablaggi

Il diffusore FreeSpace FS2P è concepito esclusivamente per l'impiego con cavi di dimensioni comprese tra 18 AWG (0,8 mm²) e 14 AWG (2,1 mm²).

Schemi di collegamento

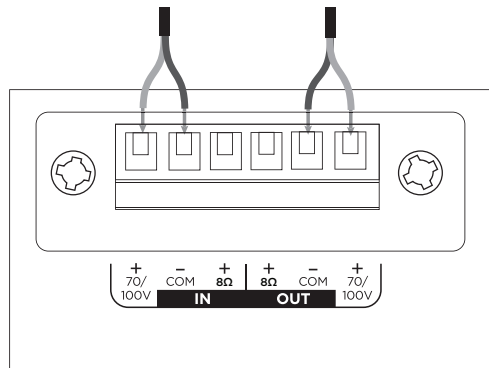
Scoprire 6 mm di filo non rivestito da collegare ai terminali.

Nota: il diffusore non è certificato per l'utilizzo con un corrugato rigido. Il diffusore può essere utilizzato con connessioni di cablaggio o tubi protettivi flessibili.

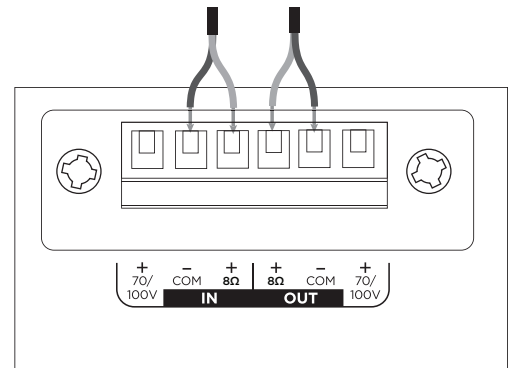
Nota: il metodo di cablaggio deve essere conforme alle seguenti normative.

In Canada, CSA C22.1, Canadian Electrical Code, Part I, Safety Standard for Electrical Installations, Section 32.

Negli Stati Uniti, National Electrical Code, NFPA 70.

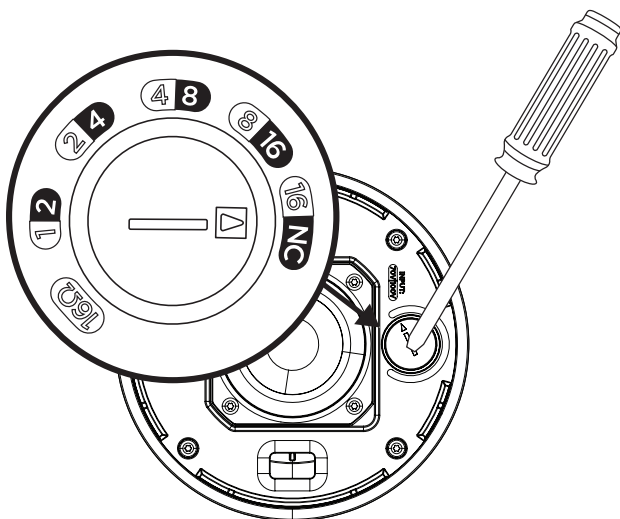


70/100V



16Ω

Impostazioni del diffusore



| 70 V | | | | | 16 Ω |
|-------|----|----|-----|------|------|
| 1W | 2W | 4W | 8W | 16W* | |
| 2W | 4W | 8W | 16W | NC** | |
| 100 V | | | | | |

*Impostazioni di fabbrica **NC: nessuna connessione (non utilizzare)

Impostazione potenza del trasformatore

Selezionare la potenza ruotando il potenziometro tramite un cacciavite a testa piatta.

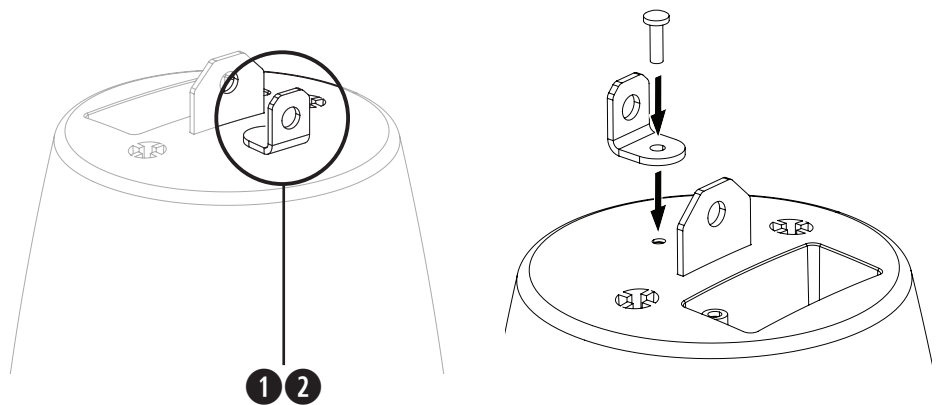
Preparazione dell'installazione

Uso di un cavo di sicurezza

Alcune normative edilizie regionali richiedono l'impiego di un secondo metodo di fissaggio dei diffusori alle strutture di supporto, allo scopo di garantire una maggior sicurezza. Scegliere posizione, metodo e accessori di fissaggio conformi alle normative edilizie locali.

Bose Professional raccomanda l'utilizzo di (1) un cavo di frenatura o di (2) un cavo di sicurezza come meccanismo di fissaggio secondario (non inclusi). Vedere lo schema riportato a destra per i punti di fissaggio di sicurezza.

Attenersi alle istruzioni del produttore per qualsiasi meccanismo di fissaggio secondario utilizzato.

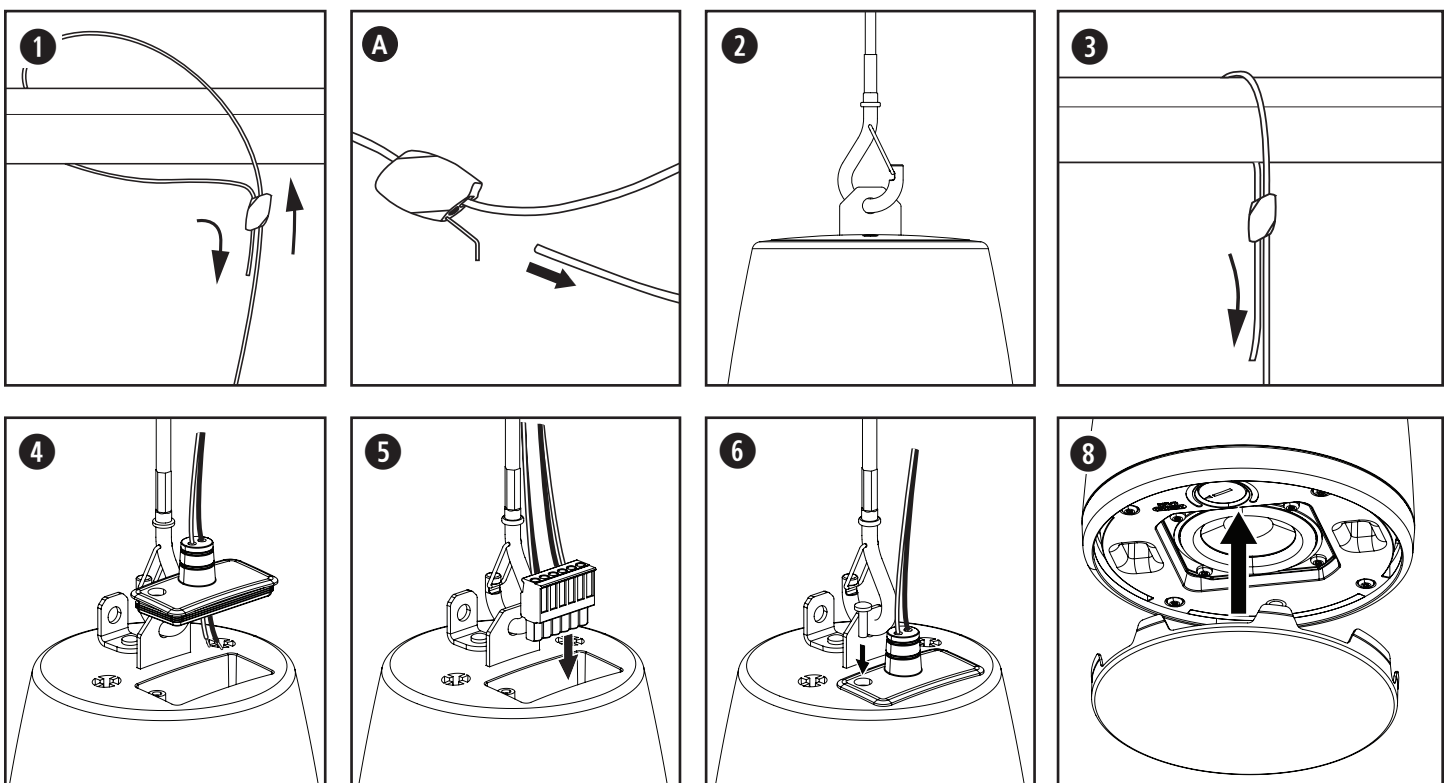


Installazione del diffusore

- Inserire il cavo di sospensione incluso all'apposito morsetto fermacavi e avvolgerlo intorno a una struttura di supporto; fissare il cavo per mezzo del morsetto fermacavi. Nota: le frecce sul morsetto fermacavi indicano la direzione del cavo.
A. Per allentare il cavo, inserire l'attrezzo per il morsetto nel foro di rilascio e regolare il cavo.
- Fissare l'apposita clip al punto di attacco del cavo di sospensione del diffusore.
- Tirare l'estremità libera del cavo di sospensione per regolare il diffusore all'altezza desiderata. Una volta sistemato il diffusore all'altezza desiderata, tagliare il cavo in eccesso. **Nota:** dopo aver tagliato alla lunghezza giusta, utilizzare un taglierino per rimuovere tutte le parti sfilacciate.
- Inserire il cablaggio del diffusore attraverso il tubo protettivo in gomma della cover di protezione degli ingressi (consultare la sezione **Preparazione della cover di protezione degli ingressi** a pagina 24).
- Collegare il connettore e inserirlo nel diffusore. Per informazioni sul cablaggio, vedere **Cablaggio del diffusore** a pag. 24.
- Posizionare la cover di protezione degli ingressi sul connettore e premerla con decisione contro il diffusore per assicurarne la tenuta. Fissare la cover di protezione degli ingressi utilizzando la vite in dotazione.
- Utilizzare le fascette fermacavi incluse per fissare il cablaggio al cavo di sospensione.

Nota: prima di fissare la griglia, regolare le impostazioni di tapping del diffusore sull'impostazione appropriata per l'installazione. Consultare la sezione **Impostazioni del diffusore** a pagina 24.

- Allineare la griglia alla parte interna del cabinet del diffusore in modo che le due linguette più piccole della stessa si trovino su entrambi i lati dell'interruttore che regola la potenza del trasformatore. Spingere la griglia sul diffusore finché non è fissata in posizione. Se necessario, spingere le linguette della griglia verso l'interno per inserirle correttamente nel cabinet del diffusore.



Rimozione della griglia

Inserire un attrezzo di piccole dimensioni (non più di 1,5 millimetri di diametro) nel foro della griglia che si trova sul bordo e tirare per sganciare la griglia.



ATTENZIONE: non utilizzare un cacciavite per far leva sulla griglia e tentare di separarla dal cabinet. Ciò potrebbe danneggiare il diffusore.

Conformità alle norme di sicurezza

Il diffusore FreeSpace FS2P ha superato i test ai quali è stato sottoposto, risultando conforme alle specifiche e alle applicazioni indicate di seguito:

Certificazione ANSI/UL 1480A-2016, Diffusori per uso professionale e commerciale e di sicurezza

Utilizzo generico – UL Categoria UEAY, Numero file S36835.

Adatto per l'uso in ambienti interni non caratterizzati da umidità.

EN 54-24: 2008, diffusore per sistemi di allarme vocale per Sistemi di rivelazione e di segnalazione d'incendio per edifici

Classe di protezione: A (applicazioni in interni)

Adatto per l'installazione mediante metodi di cablaggio Classe 1, Classe 2 o Classe 3 in conformità a NFPA 70, National Electric Code, 2002, Articolo 640.

Adatti per l'uso con metodi di cablaggio per circuiti di allarme antincendio in conformità a NFPA 70, National Electric Code, 2002, Articolo 760.

NFPA 70, National Electric Code, 2002, Articolo 300-22(c).

NFPA 90-A, 2002, Installazione di sistemi di condizionamento dell'aria e ventilazione, Paragrafo 4.3.10.2.6.5.

Direttiva EMC 89/336/EEC e articolo 10 (1) della direttiva, in conformità a EN50081-1 e EN50082-1, come indicato dal marchio CE.

Il diffusore FreeSpace FS2P è stato progettato in conformità ai requisiti previsti dalle seguenti normative europee relative ai sistemi combinati:

British Standard Code of Practice BS 5839, Sezione 8, se utilizzato con morsetteria in ceramica e fusibile termico.

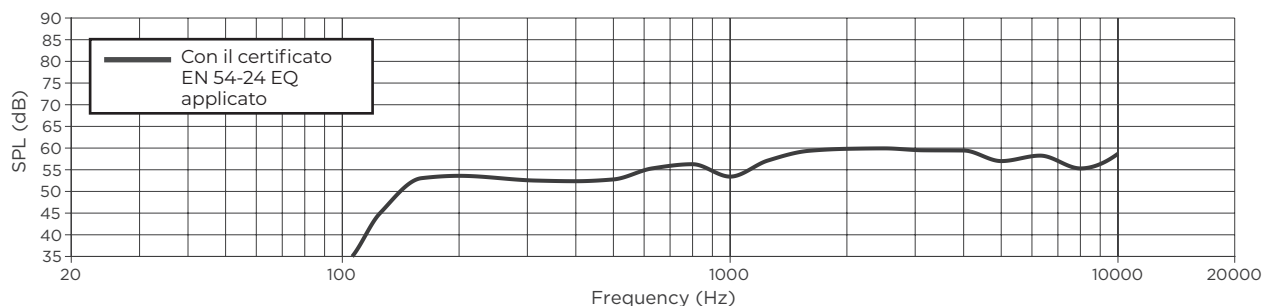
Collaudato in conformità a IEC60268-5.

| Certificato EN 54-24 ¹ | | | | | |
|---|--------------------|-------------|-------------|-------------|------------|
| Gamma di frequenza | da 100 Hz a 10 kHz | | | | |
| Sensibilità (1 W a 4 m) | 70,3 dB | | | | |
| Misurazione max SPL a 4 m | 79,5 dB | | | | |
| Banda d'ottava dell'angolo di copertura (Hz) | 500 | 1000 | 2000 | 4000 | |
| Copertura orizzontale | 360° | 190° | 120° | 123° | |
| Copertura verticale | 360° | 190° | 115° | 120° | |
| Impedenza | | 1 W | 2 W | 4 W | 8 W |
| | 70 V | 4900 Ω | 2450 Ω | 1225 Ω | 613 Ω |
| | 100 V | - | 5000 Ω | 2500 Ω | 1250 Ω |
| Impedenza nominale passiva | 16 Ω | | | | |
| Potenza sonora nominale | 16 W | | | | |
| Certificato EN 54-24 | Tipo | Freq | Gain | Q | BW |
| | PEQ | 10900 Hz | -12 dB | 10 | 0,144 |

Note a piè di pagina

- I dati delle specifiche sono stati misurati in una camera anecoica, a campo libero. Il piano di riferimento si trova sulla superficie della griglia ed è perpendicolare all'asse di riferimento. L'asse di riferimento è perpendicolare al centro della superficie della griglia. Il piano orizzontale contiene l'asse di riferimento ed è perpendicolare al piano di riferimento.

Risposta in frequenza sull'asse



Lees alle veiligheidsinstructies en de gebruiksaanwijzing door en bewaar deze.

Dit product is uitsluitend bestemd voor installatie door professionele installateurs!
Dit document is bedoeld om professionele installateurs essentiële installatie- en veiligheidsrichtlijnen te bieden voor dit product in standaardsystemen voor vaste installatie. Lees dit document en alle veiligheidswaarschuwingen voordat u een systeem probeert te installeren.

Probeer dit product niet zelf te repareren. Neem voor alle onderhoud contact op met een geautoriseerd servicecenter, installateur, technicus, dealer of distributeur. Om contact op te nemen met Bose Professional en voor informatie over de dichtstbijzijnde dealer of distributeur, gaat u naar **boseprofessional.com**.

1. Lees deze instructies door.
2. Bewaar deze instructies.
3. Neem alle waarschuwingen in acht.
4. Volg alle instructies.
5. Gebruik dit product niet in de buurt van water.
6. Alleen met een droge doek reinigen.
7. Zorg dat u de ventilatieopeningen niet blokkeert. Installeer het product volgens de instructies van de fabrikant.
8. Installeer het product niet in de buurt van warmtebronnen, zoals radiatoren, warmteroosters, kachels of andere apparaten (waaronder versterkers) die warmte produceren.
9. Gebruik uitsluitend aansluitonderdelen/accessoires die door de fabrikant worden gespecificeerd.

Productvermogen:

Ingangsspanning: 70 V/100 V

Impedantie: 16 Ω, 16 W

Stroomsterkte: (70 V): 1 W, 2 W, 4 W, 8 W, 16 W; (100 V): 2 W, 4 W, 8 W, 16 W

Wettelijk verplichte informatie

Dit product voldoet aan alle vereisten van de van toepassing zijnde EU-richtlijnen. De volledige conformiteitsverklaring kunt u vinden op: **BoseProfessional.com**.



Dit product voldoet aan alle toepasselijke voorschriften in de Electromagnetic Compatibility Regulations 2016 en aan alle overige toepasselijke wet- en regelgeving van het Verenigd Koninkrijk. De volledige conformiteitsverklaring kunt u vinden op: **BoseProfessional.com**



Dit symbool betekent dat het product niet mag worden weggegooid als huishoudelijk afval en naar een geschikt inzamelpunt voor recycling moet worden gebracht. Het op de juiste wijze afvoeren en recyclen helpt natuurlijke hulpbronnen, de menselijke gezondheid en het milieu te beschermen. Voor meer informatie over het afvoeren en recyclen van dit product neemt u contact op met de gemeente waar u woont, de afvalverwerkingsdienst of de winkel waar u dit product hebt gekocht.

Fabricagedatum: Het achtste cijfer in het serienummer geeft het fabricagejaar aan. '7' is 2007 of 2017.

Europese importeur: Transom Post Netherlands B.V., Keizersgracht 391A, 1016 EJ, Amsterdam | **Importeur in het VK:** Transom Post Netherlands UK, Squires House 205a High Street, West Wickham, BR4 0PH | **Importeur in Japan:** Transom Post International Japan KK Co., Ltd. PMO Tamachi IV Shiba5-29-19, Minato-ku, Tokio | **Importeur in Australië:** Transom Post Australia Pty. Ltd., Level 14, 60 Margaret Street, Sydney, NSW 2000 | **Importeur in China:** Transom Post (Shanghai) Audio Co. Ltd Room 2209, Building 1, 175 Longyao Road, Xuhui District, Shanghai | **Importeur in Mexico:** POST INTL MEXICO, S. DE R.L. DE C.V. Insurgentes Sur No. 1079, 1st floor, Colonia Noche Buena, Benito Juárez, C.P. 03270, Mexico-Stad | **Importeur in de VAE:** 102 A, Sama Tower Sheikh Zayed Road, Dubai VAE

Bose is een handelsmerk van Bose Corporation.

FreeSpace is een handelsmerk van Transom Post OpCo LLC.

Bose Professional, 117 South St, Hopkinton, MA 01748 USA

©2024 Transom Post OpCo LLC. Niets in deze uitgave mag worden gereproduceerd, gewijzigd, gedistribueerd of op andere wijze worden gebruikt zonder voorafgaande schriftelijke toestemming.

Garantie-informatie

Dit product wordt gedekt door een beperkte garantie.
Ga naar **boseprofessional.com** voor garantie-informatie.

**WAARSCHUWINGEN**

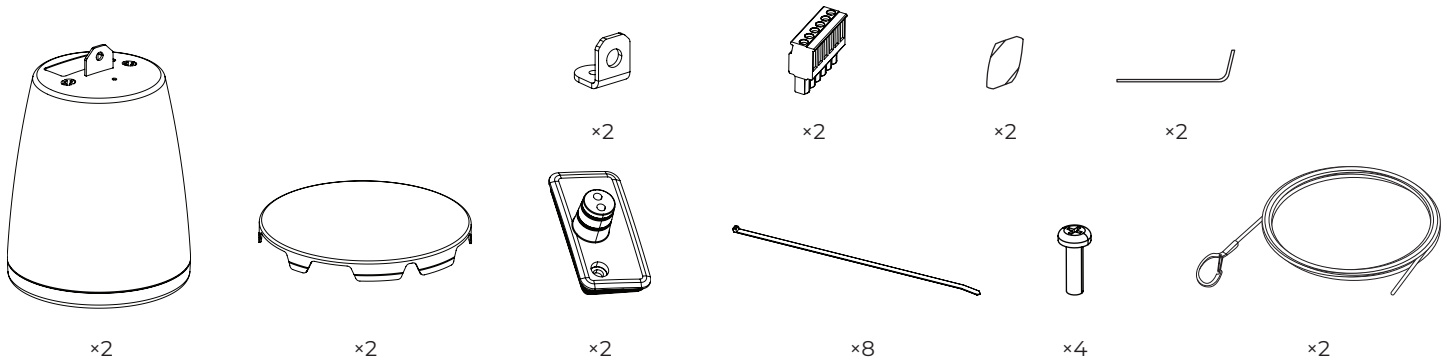
Dit product bevat magnetisch materiaal. Raadpleeg uw arts om te vragen of dit invloed kan hebben op uw geïmplanteerde medische hulpmiddel.



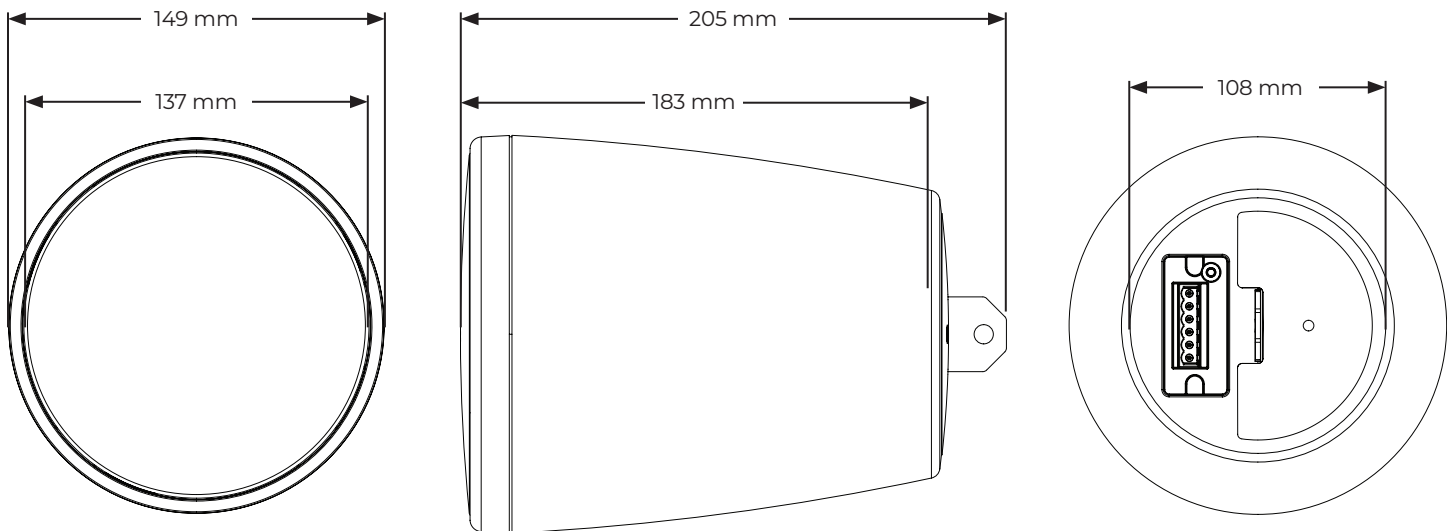
Bevat kleine onderdelen die verstikkingsgevaar kunnen vormen. Niet geschikt voor kinderen jonger dan 3 jaar.

- Dit product is alleen bestemd voor binnengebruik.
 - Alle Bose Professional-producten moeten worden geïnstalleerd volgens de plaatselijke en landelijke voorschriften en industriënormen. Het is de verantwoordelijkheid van de installateur om ervoor te zorgen dat de installatie van de luidsprekers en het montagesysteem gebeurt met inachtneming van alle van toepassing zijnde voorschriften, waaronder plaatselijke bouwvoorschriften. Neem contact op met de juiste plaatselijke overheidsinstanties voordat u dit product installeert.
 - Het onveilig monteren of ophangen van een zware last kan leiden tot beschadiging van uw eigendommen, ernstig letsel en overlijden. Het is de verantwoordelijkheid van de installateur om de betrouwbaarheid te evalueren van de gebruikte montagemethode. Alleen professionele installateurs met kennis van het juiste gereedschap en veilige montage technieken mogen luidsprekers hoog ophangen.
 - Monteer het product niet op locaties waar het kan worden blootgesteld aan water of condensatie.
 - Stel dit apparaat niet bloot aan druipende of spattende vloeistoffen en plaats geen met vloeistof gevulde voorwerpen, zoals vazen, op of bij het product.
 - Dit product is niet bedoeld voor installatie of gebruik in overdekte ruimten voor wateractiviteiten (waaronder overdekte zwembaden, overdekte waterparken, stoomruimten, sauna's, bubbelbadkamers en overdekte ijsbanen).
 - Niet bevestigen aan oppervlakken die niet sterk zijn of die mogelijke risico's opleveren, bijvoorbeeld vanwege elektrische bedrading of waterleidingen. De beugel moet door een gekwalificeerde installateur worden geplaatst in overeenstemming met de lokale bouwvoorschriften.
 - Gebruik alleen de hardware en accessoires die zijn meegeleverd of gespecificeerd door Bose Professional voor gebruik met de FreeSpace FS2P luidsprekers. Raadpleeg voor informatie over compatibele accessoires het datasheet met technische gegevens op **boseprofessional.com**.
 - Houd het product uit de buurt van vuur en warmtebronnen. Plaats geen open vlam, zoals een brandende kaars, op of bij het product.
 - Er mogen geen wijzigingen aan dit product worden aangebracht door onbevoegden.
 - Stel de luidspreker of de montageonderdelen niet bloot aan chemische substanties die niet zijn gespecificeerd door Bose Professional, met inbegrip van, maar niet beperkt tot smeermiddelen, reinigingsmiddelen, contactsprays of oplosmiddelen op basis van koolwaterstoffen. Blootstelling aan dergelijke stoffen kan nadelige gevolgen hebben voor het kunststof materiaal, wat kan leiden tot scheuren en een risico op vallen.
 - Reinig de luidsprekers alleen met een droge doek. Stel de luidspreker niet bloot aan zeep, reinigingsmiddel, minerale olie, alcohol of andere reinigingsmiddelen of chemicaliën.
- Waarschuwingen met betrekking tot kabels:**
- De kabel is niet bedoeld voor installatie of gebruik in overdekte ruimten voor wateractiviteiten (waaronder overdekte zwembaden, overdekte waterparken, stoomruimten, sauna's, bubbelbadkamers en overdekte ijsbanen).
 - Gebruik de kabel niet om mee te tillen, bijvoorbeeld met een hijsmechanisme of katrol, of voor hangende installaties die kunnen bewegen of anderszins dynamisch zijn. Alleen bedoeld voor hangende, statische luidsprekers.
 - Loop of sta niet op de kabel.
 - Schilder niet over de kabelklem of een ander deel van de kabel.
 - Bij gebruik van een kabelsysteem dat niet door Bose Professional is geleverd, moet de maximale werklast gelijk zijn aan of groter zijn dan die van het meegeleverde kabelsysteem.
 - Gebruik geen olie of andere smeermiddelen op de kabelklem of op enig ander deel van de kabel.
 - Verbind nooit twee kabels met elkaar. Gebruik één kabel per ophangpunt.
 - Gebruik alleen de kabel voor hangbevestiging die wordt meegeleverd bij Bose Professional pendant-luidsprekers.

Inhoud van de doos



Afmetingen van het product



Technische specificaties

Raadpleeg voor aanvullende specificaties het datasheet met technische gegevens voor de FreeSpace FS2P op boseprofessional.com.

| Fysiek | |
|--|----------------------------|
| Afmetingen van het product | Diameter grille: 137 mm |
| | Diameter behuizing: 149 mm |
| | Diepte: 205 mm |
| Afmetingen kabel | Lengte: 4,57 m |
| | Diameter: 2 mm |
| Maximale last (veilige werklust) ¹ | 45,36 kg |
| Nettogewicht, luidspreker met grille (enkel) | 1,47 kg |
| Verzendgewicht (paar) | 4,06 kg |
| Weerbestendigheid | Alleen binnen |

1. Gebruik de kabel altijd in overeenstemming met de aangegeven veilige werklust. De meegeleverde ophangkabel heeft een veilige werklust van 45 kg.

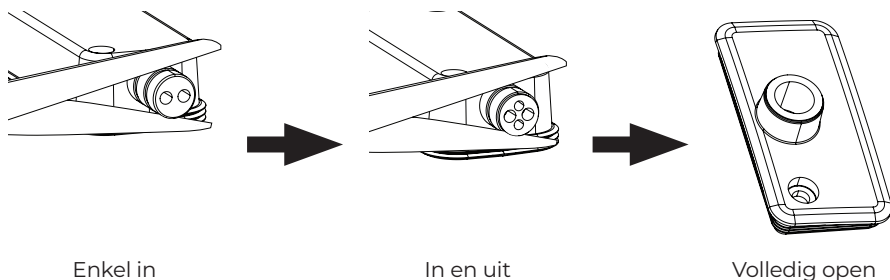
Belangrijke installatie-informatie



Lees voordat u de luidspreker installeert **Belangrijke veiligheidsinstructies** op pagina 27.



Voor **brand- en evacuatiesystemen** IP21C-beoordeling volgens EN 54-24.



De weerbestendige afdekking voorbereiden

De weerbestendige afdekking is geschikt voor drie verschillende bedradingschema's (zie boven). Om de configuratie van de afdekking aan te passen aan uw bedradingschema, knipt u langs de perforatie op de rubberen geleiding.

Opmerking: Bij gebruik binnen hoeft de afdekking niet te worden gebruikt.

Opmerking: Bij de volledig open-configuratie is het de verantwoordelijkheid van de installateur om voor afdichting te zorgen die het binnendringen van water in de Euroblock-connector voorkomt.

De luidspreker bekabelen

Bekabelingsdiameter

De FreeSpace FS2P luidspreker is uitsluitend ontworpen voor bedrading van 18 AWG (0,8 mm²) tot 14 AWG (2,1 mm²).

Aansluitdiagrammen

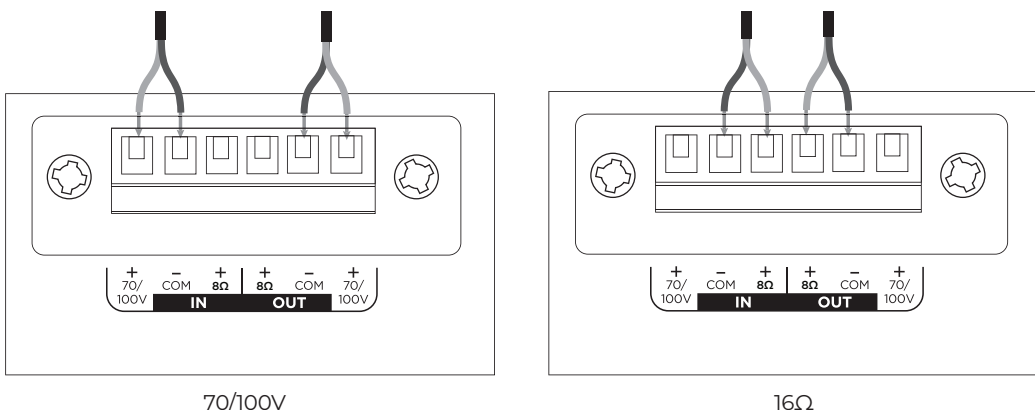
Strip zes millimeter van de kabelisolatie voor bevestiging van de kale kabel aan de aansluitingen.

Opmerking: De luidspreker is niet getest voor gebruik met een rigide geleider. De luidspreker is alleen geschikt voor gebruik met een flexibele geleider of een kabel.

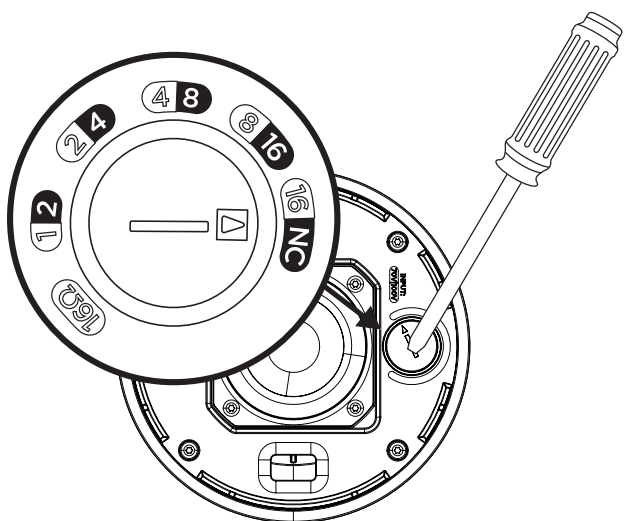
Opmerking: Bekabelingsmethode moet in overeenstemming zijn met:

In Canada: CSA C22.1, Canadian Electrical Code, Part I, Safety Standard for Electrical Installations, Section 32;

In de VS: National Electrical Code, NFPA 70.



Luidsprekerinstellingen



| 70 V | | | | | 16 Ω |
|-------|-----|-----|------|-------|------|
| 1 W | 2 W | 4 W | 8 W | 16 W* | |
| 2 W | 4 W | 8 W | 16 W | NC** | |
| 100 V | | | | | |

* Fabrieksinstelling

** NC: No Connection (geen aansluiting; niet gebruiken)

Transformatorinstelling

Draai om de transformator in te stellen. Gebruik een schroevendraaier met platte kop.

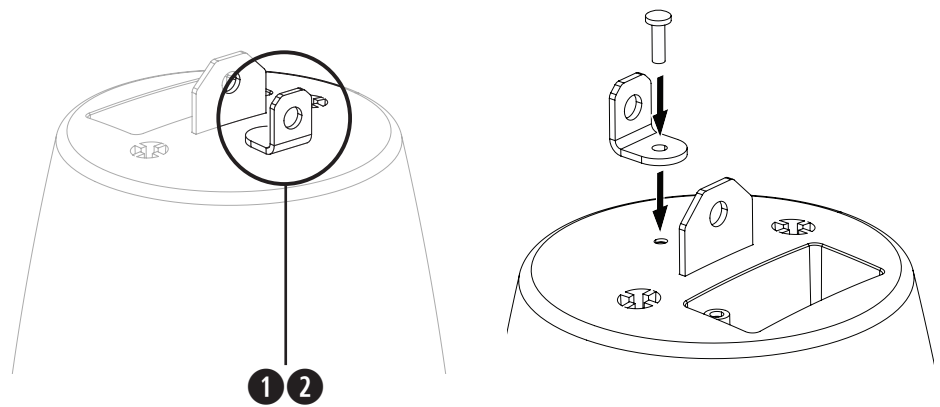
De installatie voorbereiden

Een veiligheidskabel gebruiken

In sommige regio's bent u volgens de bouwvoorschriften verplicht luidsprekers dubbel gezeerd te bevestigen voor extra veiligheid. De gekozen locatie, montagewijze en gebruikte montagemiddelen moeten voldoen aan de geldende bouwvoorschriften en -verordeningen.

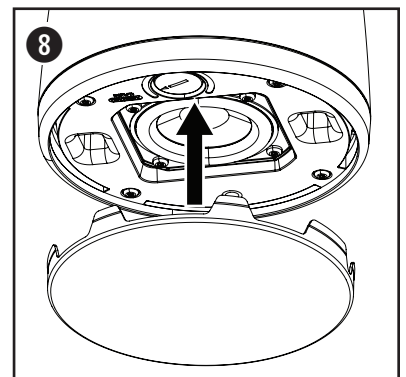
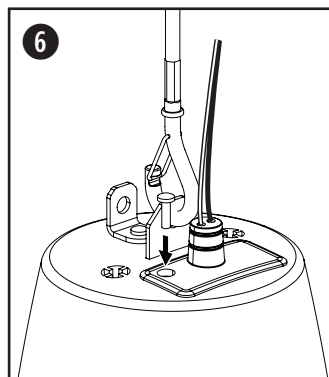
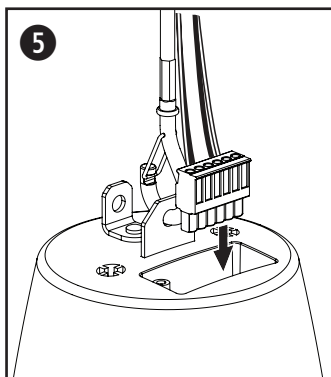
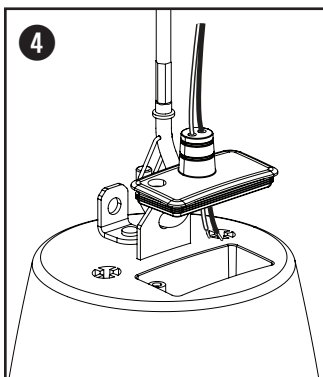
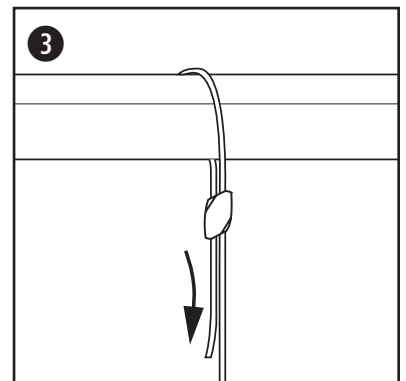
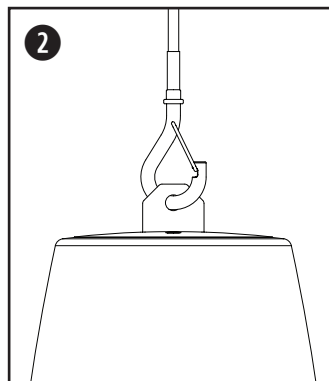
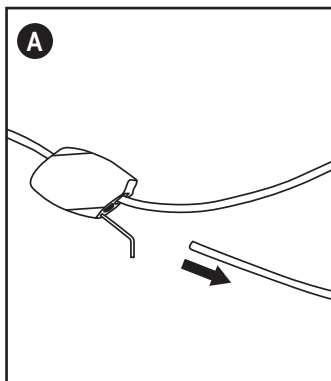
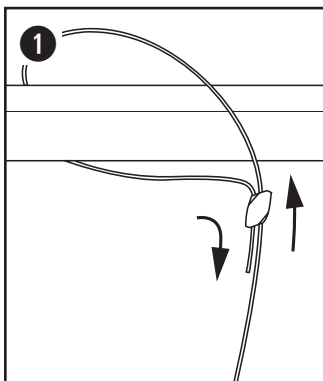
Bose Professional raadt aan (1) een veiligheidsdraad of (2) veiligheidskabel te gebruiken als secundaire bevestigingsmethode (niet meegeleverd). Raadpleeg het schema rechts voor bevestigingspunten.

Volg de instructies van de fabrikant voor eventueel al ingebouwde secundaire beveiligingsmechanismen.



De luidspreker bevestigen

- Haal de meegeleverde ophangkabel door de kabelklem en leid de kabel rond een dragende structuur; bevestig de kabel met de klem. **Opmerking:** De pijltjes op de kabelklem geven de richting van de kabel aan.
 - Om de kabel bij te stellen, steekt u de montagetoel in de ontgrendelingsopening om de kabel los te maken.
 - Bevestig de kabelclip aan het ophangpunt op de luidspreker.
 - Trek aan het losse uiteinde van de ophangkabel om de hoogte van de luidspreker in te stellen. Wanneer de luidspreker op de gewenste hoogte hangt, knipt u het overtollige kabeleinde af. **Opmerking:** Verwijder rafelige uiteinden met een kniptang nadat de kabel op lengte is geknipt.
 - Haal de luidsprekerbekabeling door de rubberen geleiding van de afdekking (zie **De afdekking voorbereiden** op pagina 29).
 - Bevestig de bekabeling aan de connector en steek deze in de luidspreker. Raadpleeg voor bekabelingsinformatie **De luidspreker bekabelen** op pagina 29.
 - Plaats de afdekking over de connector en druk de afdekking stevig tegen de luidspreker voor een goede afdichting. Bevestig de afdekking met de daarvoor bestemde schroef.
 - Gebruik de meegeleverde kabelbinders om de luidsprekerbekabeling aan de ophangkabel te bevestigen.
- Opmerking:** Voordat de grille wordt bevestigd, moet de juiste aftakking worden ingesteld. Zie **Luidsprekerinstellingen** op pagina 29.
- Houd de grille evenwijdig aan de binnenkant van de luidsprekerbehuizing en zorg daarbij dat de twee kleinste lipjes links en rechts van de aftakingskeuze zitten. Duw de grille op de luidspreker totdat deze vastklikt. Duw indien nodig de lipjes van de grille wat naar binnen om de grille goed in de luidsprekerbehuizing te kunnen bevestigen.



De grille verwijderen

Steek een klein stuk gereedschap (diameter maximaal 1,5 mm) door de opening aan de rand van de grille en trek om deze te ontgrendelen.



LET OP: Gebruik geen schroevendraaier om de grille van de behuizing los te trekken. Dit kan de luidspreker beschadigen.

Veiligheid en naleving van regelgeving

De FreeSpace FS2P luidspreker is getest en voldoet voor onderstaande specificaties en toepassingen:

Opgenomen in ANSI/UL 1480A-2016, Speakers for Commercial & Safety Professional Use

General-Purpose Use – UL Category UEAY, dossiernummer S36835.

Geschikt voor gebruik op droge locaties binnen.

EN 54-24: 2008, Loudspeaker for Voice Alarm Systems for Fire Detection and Fire Alarm Systems for Buildings

Omgevingstype: A (binnengebruik)

Geschikt voor installatie middels bekabelingsmethoden Klasse 1, Klasse 2 of Klasse 3 conform NFPA 70, National Electric Code, 2002, artikel 640.

Geschikt voor gebruik met bekabelingsmethoden voor brandalarmen in overeenstemming met NFPA 70, National Electric Code, 2002, artikel 760.

NFPA 70, National Electric Code, 2002, artikel 300-22 (c).

NFPA 90-A, 2002, Installation of Air Conditioning and Ventilation Systems, paragraaf 4.3.10.2.6.5.

EMC-richtlijn 89/336/EEG en artikel 10 (1) van de richtlijn in overeenstemming met EN50081-1 en EN50082-1, zoals aangegeven door het CE-keurmerk.

De FreeSpace FS2P luidspreker is ontworpen volgens de vereisten die zijn vastgelegd in onderstaande specificatie van Europese regelgeving voor combinatiesystemen:

British Standard Code of Practice BS 5839, deel 8, bij gebruik met het keramische klemmenblok en thermische zekering.

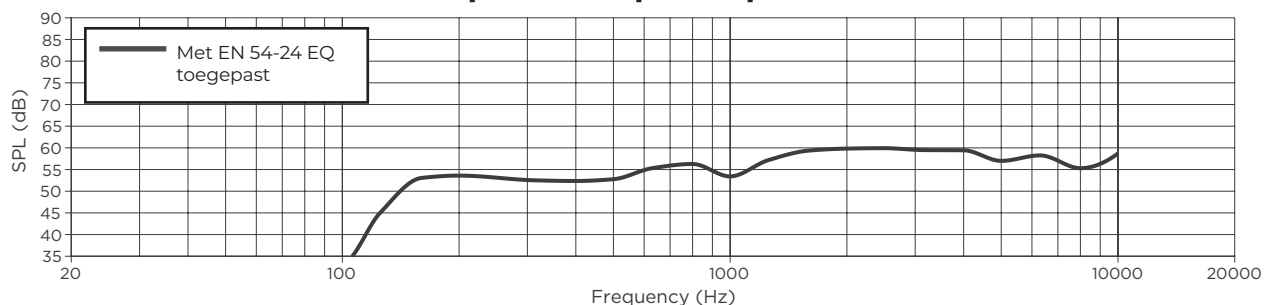
Getest volgens IEC60268-5.

| EN 54-24-certificering ¹ | | | | | | |
|-------------------------------------|-----------------|-------------------|-------------|-------------|------------|-------------|
| Frequentiebereik | 100 Hz - 10 kHz | | | | | |
| Gevoeligheid (1 W op 4 m) | 70,3 dB | | | | | |
| Gemeten max. SPL op 4 m | 79,5 dB | | | | | |
| Dekkingshoek octaafband (Hz) | 500 | 1000 | 2000 | 4000 | | |
| Horizontale dekking | 360° | 190° | 120° | 123° | | |
| Verticale dekking | 360° | 190° | 115° | 120° | | |
| Nominale impedantie | | 1 W | 2 W | 4 W | 8 W | 16 W |
| | 70 V | 4900 Ω | 2450 Ω | 1225 Ω | 613 Ω | 306 Ω |
| | 100 V | — | 5000 Ω | 2500 Ω | 1250 Ω | 625 Ω |
| Passieve nominale impedantie | 16 Ω | | | | | |
| Nominale ruis | 16 W | | | | | |
| EN 54-24-equalisatie | Type | Frequentie | Gain | Q | BW | |
| | PEQ | 10.900 Hz | -12 dB | 10 | 0,144 | |

Voetnoten

- De specificatiegegevens zijn gemeten in een echovrije ruimte, vrije veld. Het referentievlak ligt op het grilleoppervlak en staat haaks op de referentieas. De referentieas staat haaks op het midden van het grilleoppervlak. Het horizontale vlak omvat de referentieas en staat haaks op het referentievlak.

Frequentierespons op de as



Les og ta vare på alle sikkerhets- og bruksinstruksjoner.

Dette produktet skal bare monteres av profesjonelle montører! Formålet med dette dokumentet er å gi profesjonelle montører grunnleggende monterings- og sikkerhetsveiledning for dette produktet i typiske fastmonteringsystemer. Les dette dokumentet og alle sikkerhetsadvarsler før du starter monteringen.

Ikke prøv å utføre vedlikehold på dette produktet selv. Henvis alt vedlikehold til autoriserte servicesentre, montører, teknikere, forhandlere eller distributører. Hvis du vil kontakte Bose Professional eller finne en forhandler eller distributør i nærheten, går du til boseprofessional.com.

1. Les disse instruksjonene.
2. Ta vare på disse instruksjonene.
3. Ta hensyn til alle advarsler.
4. Følg alle instruksjoner.
5. Ikke bruk dette apparatet i nærheten av vann.
6. Rengjør bare med en ren klut.
7. Ikke blokker ventilasjonsåpninger. Plasser i henhold til produsentens instruksjoner.
8. Ikke plasser produktet nær varmekilder som radiatorer, ventilasjonsgitter, ovner eller andre apparater (inkludert forsterkere) som produserer varme.
9. Bare bruk fester/tilbehør som er angitt av produsenten.

Produktklassifisering:

Inngangsspenning: 70/100 V

Impedans: 16 Ω, 16 W

Strøm eller effekt: (70 V): 1W, 2W, 4W, 8W, 16W; (100 V): 2W, 4W, 8W, 16W

Informasjon om forskrifter

Produktet overholder alle kravene i gjeldende EU-direktiver. Du finner den fullstendige samsvarserklæringen på: BoseProfessional.com.



Dette produktet er i samsvar med alle gjeldende bestemmelser om elektromagnetisk kompatibilitet for 2016 og alle andre gjeldende bestemmelser i Storbritannia. Den fullstendige samsvarserklæringen finner du på BoseProfessional.com



Dette symbolet betyr at produktet ikke må kasseres som husholdningsavfall, og at det skal leveres til en passende innsamlingsanlegg for gjenvinning. Riktig håndtering og gjenvinning bidrar til å beskytte naturressurser, helse og miljø. Hvis du vil ha mer informasjon om avfallshåndtering og resirkulering av dette produktet, kontakter du de lokale myndighetene, avfallsorganisasjonen eller butikken hvor du kjøpte dette produktet.

Produksjonsdato: Det åttende tallet i serienummeret viser produksjonsåret: 7 er 2007 eller 2017.

Importør i EU: Transom Post Netherlands B.V., Keizersgracht 391A, 1016 EJ, Amsterdam | **Britisk importør:** Transom Post Netherlands UK, Squires House 205a High Street, West Wickham, BR4 0PH | **Importør for Japan:** Transom Post International Japan KK Co., Ltd. PMO Tamachi IV Shiba5-29-19, Minato-ku, Tokyo | **Australsk importør:** Transom Post Australia Pty. Ltd., Level 14, 60 Margaret Street, Sydney, NSW 2000 | **Importør for Kina:** Transom Post (Shanghai) Audio Co. Ltd Room 2209, Building 1, 175 Longyao Road, Xuhui District, Shanghai | **Importør for Mexico:** POST INTL MEXICO, S. DE R.L. DE C.V. Insurgentes Sur No. 1079, 1st floor, Colonia Noche Buena, Benito Juárez, C.P. 03270, Mexico City | **Importør for De forente arabiske emirater:** 102 A, Sama Tower Sheikh Zayed Road, Dubai UAE

Bose er et varemerke for Bose Corporation.

FreeSpace er et varemerke for Transom Post OpCo LLC.

Bose Professional, 117 South St, Hopkinton, MA 01748 USA

©2024 Transom Post OpCo LLC. Ingen del av dette arbeidet kan bli reproduisert, endret, distribuert eller på annen måte brukt uten skriftlig tillatelse på forhånd.

Garantiinformasjon

Dette produktet er dekket av en begrenset garanti.

Hvis du vil ha informasjon om garanti, går du til boseprofessional.com.

**ADVARSLER/FORHOLDSREGLER**

Dette produktet inneholder magnetisk materiale. Kontakt en lege hvis du vil finne ut om dette kan påvirke implantert medisinsk utstyr.



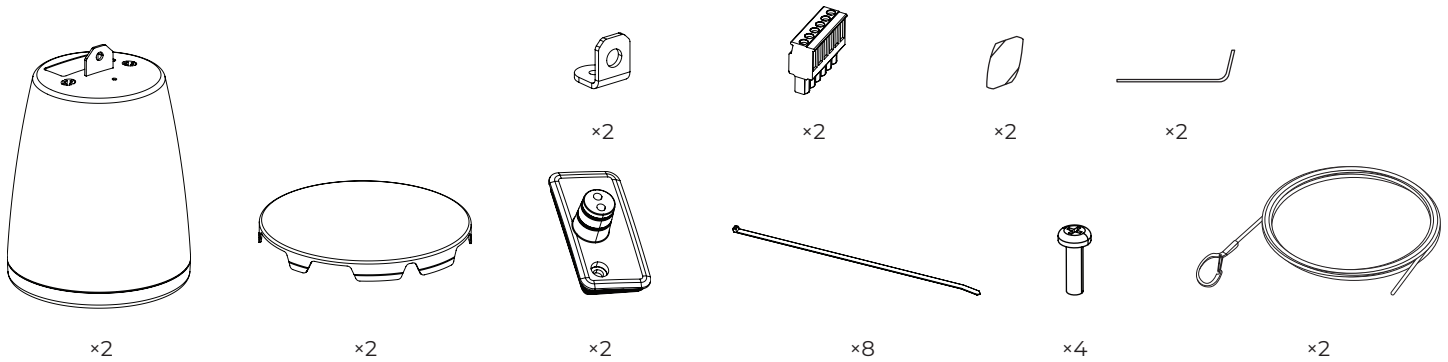
Inneholder små deler som kan utgjøre en kvelningsfare. Ikke egnet for barn under 3 år.

- Dette produktet er kun ment for innendørsbruk.
- Alle Bose Professional-produkter må monteres i henhold til bransjeforskrifter og lokale og nasjonale forskrifter. Det er montørens ansvar å sikre at monteringen av høyttalerne og monteringssystemet utføres i henhold til alle gjeldende forskrifter, inkludert lokale byggeforskrifter og bestemmelser. Kontakt de lokale myndighetene som har domsmyndighet før du monterer dette produktet.
- Utrygg montering eller opphenging av tunge gjenstander kan forårsake alvorlig skade eller død, samt skade på eiendom. Det er montørens ansvar å vurdere påliteligheten til alle monteringsmetodene de bruker. Takmonterte høyttalere skal bare monteres av profesjonelle montører med kunnskap om det riktige utstyret og trygge monteringsmetoder.
- Ikke monter produktet på steder der det kan bli eksponert for vann eller kondens.
- Ikke utsett produktet for dryppende vann eller vannsprut, og sett ikke gjenstander fylt med vann, for eksempel vaser, på eller i nærheten av produktet.
- Dette produktet er ikke ment for montering eller bruk i innendørs vannanlegg (inkludert, men ikke begrenset til, innendørs basseng, innendørs badeland, rom med badestamp, badstuer, damprom og innendørs skøytebaner).
- Må ikke monteres på overflater som ikke er solide, eller som har skjulte faremomenter bak seg, for eksempel elektriske kabler eller rør. Sørg for at braketten er montert av en kvalifisert montør og i henhold til lokale retningslinjer.
- Bruk bare utstyret og tilbehøret som følger med, eller som er spesifisert av Bose Professional for bruk med FreeSpace FS2P-høyttalere. Hvis du vil ha informasjon om kompatibelt tilbehør, kan du se produktets tekniske dataark på boseprofessional.com.
- Hold produktet unna ild og andre varmekilder. Ikke plasser kilder til bar ild, for eksempel tente stearinlys, på eller nær produktet.
- Ikke foreta uautoriserte endringer på dette produktet.
- Ikke eksponer høyttaleren eller monteringskomponentene for kjemikalier som ikke er spesifisert av Bose Professional, inkludert, men ikke begrenset til, smøremidler, rengjøringsmidler, kontaktsprayer eller andre hydrokarbonbaserte oppløsningsmidler. Slike midler kan forårsake at plastmaterialet brytes ned, som igjen kan forårsake sprekker og at høyttaleren faller ned.
- Bruk bare en tørr klut når du skal rengjøre høyttalerne. Ikke bruk såpe, vaskemiddel, mineralolje, alkohol eller andre rengjøringsmidler eller kjemikalier når du rengjør høyttaleren.

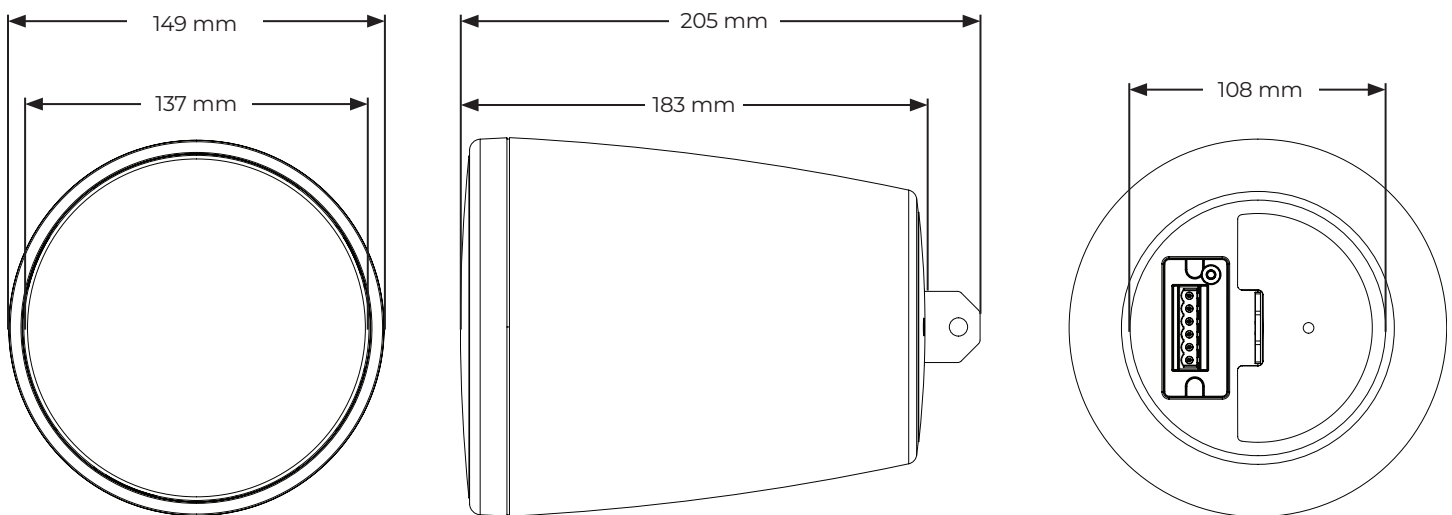
Kabelspesifikke advarsler:

- Kabelen er ikke ment for montering eller bruk i innendørs vannanlegg (inkludert, men ikke begrenset til, innendørs basseng, innendørs badeland, rom med badestamp, badstuer, damprom og innendørs skøytebaner).
- Må ikke brukes til løfting, som en kran eller trinse, eller til hengende installasjoner som omfatter bevegelse eller dynamisk virkemåte. Kun beregnet på hengende statiske høyttalere.
- Ikke gå eller stå på kabelinstallasjonen.
- Ikke mal på kabelfestet eller noen annen del av kabelenheten.
- Hvis du bruker et kabelsystem som ikke er levert av Bose Professional, må grensen for arbeidsbelastning være lik eller større enn det medfølgende kabelsystemet.
- Ikke påfør olje eller noe annet smøremiddel på kabelfestet eller noen annen del av kabelenheten.
- Koble aldri to kabler sammen. Bruk bare én kabelenhet per høyttalerfeste.
- Bruk bare opphengskabelen som følger med høyttalerne fra Bose Professional.

Innhold i pakken



Produktmål



Tekniske spesifikasjoner

Hvis du vil ha flere spesifikasjoner, kan du se det tekniske dataarket for FreeSpace FS2P på boseprofessional.com.

| Fysisk | |
|--|----------------------------------|
| Produktmål | Nettingdiameter: 137 mm |
| | Diameter på høyttalerhus: 149 mm |
| | Dybde: 205 mm |
| Kabelmål | Lengde: 4,57 m |
| | Diameter: 2 mm |
| Maks. belastning (sikker arbeidsbelastning)¹ | 100,0 lb (45,36 kg) |
| Nettovekt, Høyttaler med grill (enkel) | 3,25 lb (1,47 kg) |
| Forsendelsesvekt (par) | 8,95 lb (4,06 kg) |
| Utendørs | Kun innendørs |

1. Bruk alltid kabelen innenfor den angitte sikre arbeidsbelastningen. Den inkluderte opphengskabelen har en sikker arbeidsbelastning på 45 kg.

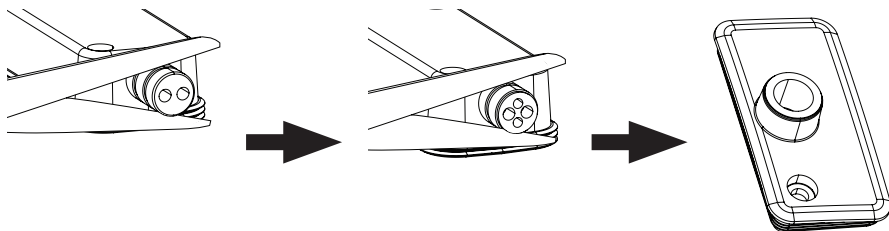
Viktig informasjon om montering



Før du monterer høyttaleren, må du se gjennom **Viktige sikkerhetsinstruksjoner** på side 32.



I forbindelse med brann- og evakueringsvarslinger er den miljøklassifisert for IP21C i henhold til EN 54-24.



Enkel inngang

Inngang og utgang

Helt åpen

Klargjøre det værbestandige trekket til inngangen

Det værbestandige trekket til inngangen er utformet for tre forskjellige ledningsoppsett (se ovenfor). Hvis du vil endre oppsettet av trekket til inngangen for å støtte ledningsoppsettet ditt, kan du skjære langs perforeringen på gummirøret.

Merk: Ved innendørsbruk trenger du ikke trekket til inngangen.

Merk: Hvis du bruke det åpne gummirøroppsettet, er det montørens ansvar å forsegle mot vanninntrenging i Euroblock-kontakten.

Kable høyttaleren

Kabeldiameter

FreeSpace FS2P-høyttaleren er utformet for å fungere kun med kabler på mellom 18 AWG (0,8 mm²) til 14 AWG (2,1 mm²).

Koblingsdiagrammer

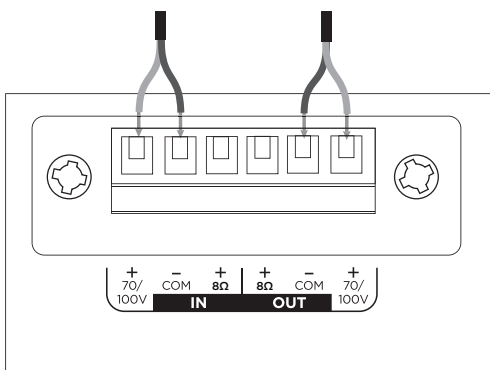
Eksponer seks millimeter (¼ tomme) av ledningen for å feste til terminalene.

Merk: Høyttaleren er ikke sertifisert for bruk med et stivt rør. Høyttaleren passer kun med et fleksibelt rør eller en ledningskobling.

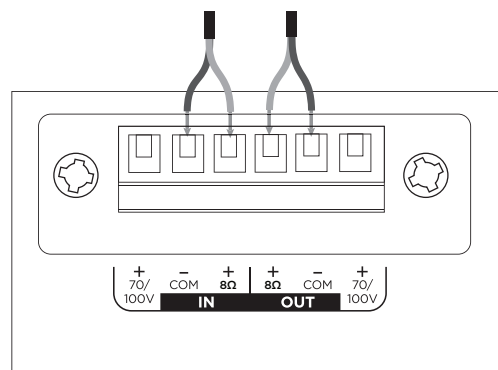
Merk: Kablingsmetoden må gjøres i henhold til:

I Canada, CSA C22.1, Canadian Electrical Code, Part I, Safety Standard for Electrical Installations, Section 32;

I USA, The National Electrical Code, NFPA 70.

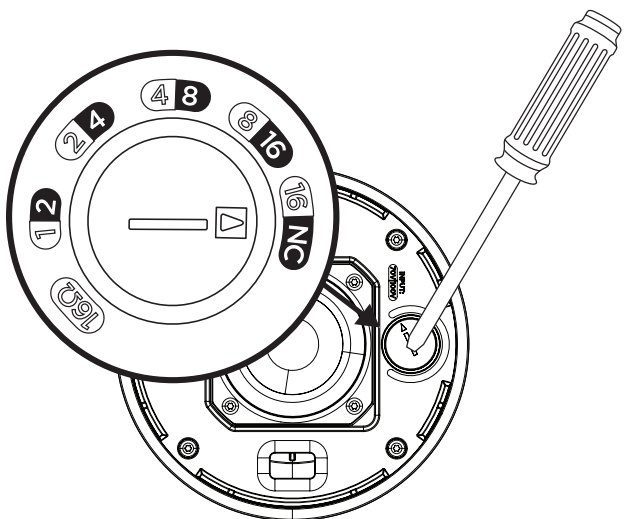


70/100V



16Ω

Høyttalerinnstillinger



| 70 V | | | | | 16 Ω |
|-------|-----|-----|------|-------|------|
| 1 W | 2 W | 4 W | 8 W | 16 W* | |
| 2 W | 4 W | 8 W | 16 W | NC** | |
| 100 V | | | | | |

* Fabrikstandard

** NC: Ingen tilkobling (ikke bruk)

Innstilling av omformerkontakt

Vri for å stille inn kontakten. Bruk en skrutrekker med flatt hode.

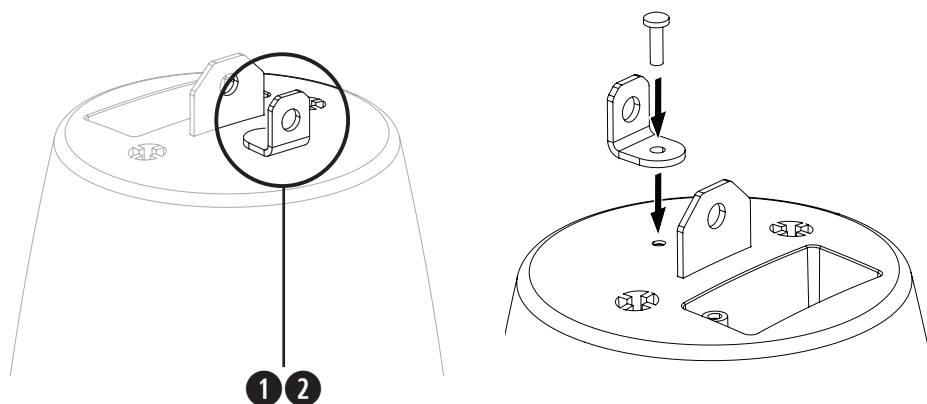
Forberede monteringen

Bruke en sikkerhetskabel

Noen regionale byggeforskrifter krever at du sikrer høyttalerne ytterligere ved hjelp av en sekundær sikringsmetode. Velg monteringssted, -metode- og -utstyr som samsvarer med lokale byggeforskrifter og bestemmelser.

Bose Professional anbefaler at du bruker (1) en sikkerhetsledning, (2) en sikkerhetskabel som sekundær sikringsmekanisme (følger ikke med). Se diagrammet til høyre for å se punkter om sikkerhetsfeste.

Følg produsentens instruksjoner for eventuelle sekundære festemekanismer som brukes.

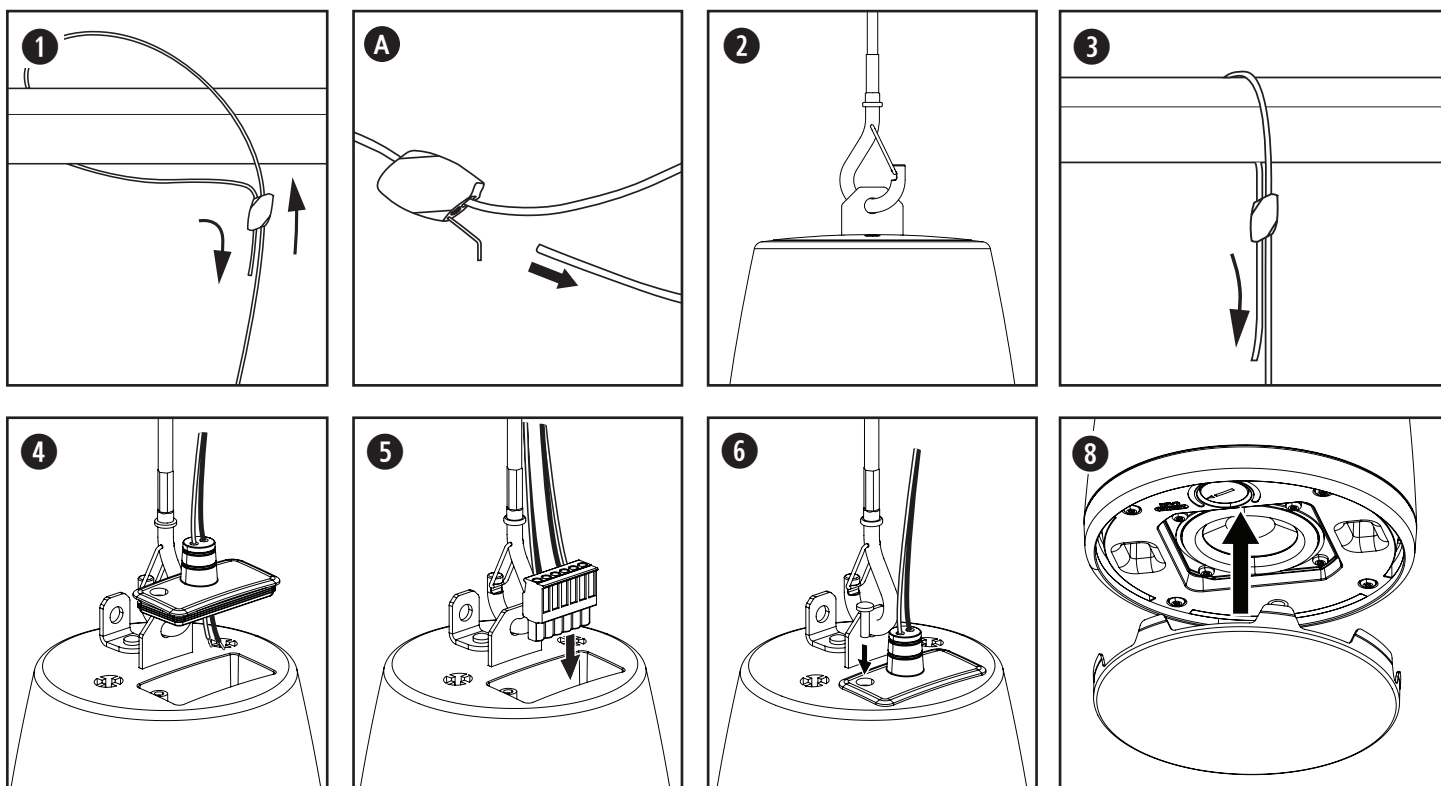


Montere høyttaleren

- Før den medfølgende opphengskabelen gjennom kabelfestet, og vikle kabelen rundt en støttestruktur. Fest kabelen med kabelfestet. Merk: Piler på kabelfestet angir kabelretningen.
 - Hvis du vil løsne kabelen, setter du festeverktøyet inn i utløserhullet og justerer kabelen.
- Fest kabelklemmen til festepunktet for høyttaleropphekkabelen.
- Trekk i den løse enden av opphengskabelen for å justere høyttaleren til ønsket høyde. Når du har nådd ønsket høyde på høyttaleren, må du kutte bort overflødig kabel. **Merk:** Skjær til frynsete ender med wirekuttere etter at du har fått riktig lengde.
- Før høyttalerledningene gjennom gummikanalen på inngangsdekselet (se **Klargjøre inngangsdekselet** på side 34).
- Sett ledningene i kontakten og kontakten i høyttaleren. Hvis du vil ha mer informasjon om kabling, kan du se **Kable høyttaleren** på side 34.
- Plasser inngangsdekselet over kontakten og trykk det godt mot høyttaleren for å skape en tett forsegling. Fest inngangsdekselet ved hjelp av skruen på inngangsdekselet.
- Bruk kabelstripsene som følger med til å feste ledningen til opphengskabelen.

Merk: Før du fester grillen, må du justere høyttalerens innstillinger til ønsket nivå for monteringen. Se **Høyttalerinnstillinger** på side 34.

- Sett grillen på linje med insiden av høyttalerkabinettet, slik at de to minste tappene til grillen er på hver side av bryteren. Skyv grillen på høyttaleren til den er festet på plass. Om nødvendig trykker du grilltappene innover for å feste den skikkelig til høyttalerkabinettet.



Fjerne grillen

Stikk et lite verktøy (ikke større enn 1,5 millimeter i diameter) gjennom grillens perforering i kanten på grillen og trekk for å løsne grillen.



FORSIKTIG: Ikke bruk en skrutrekker for å fjerne grillen fra kabinettet. Dette kan skade høyttaleren.

Samsvar med sikkerhet og forskrifter

FreeSpace FS2P-høyttaleren har bestått tester og samsvarer med følgende spesifikasjoner og bruksområder:

Oppført i ANSI/UL 1480A-2016, høyttalere for profesjonell kommersiell bruk og sikkerhetsformål

Generell bruk – UL-kategori UEAY, filnummer S36835.
Egnet for bruk innendørs på tørre steder.

EN 54-24: 2008, høyttaler til alarmsystemer for brannregistrering og brannalarmsystemer i bygninger

Miljøtype: En (enhet til innendørsbruk)

Kan brukes til montering ved hjelp av kablingsmetoder i klasse 1, klasse 2 eller klasse 3, i samsvar med NFPA 70, National Electric Code, 2002, artikkel 640.

Kan brukes ved hjelp av kabelmetoder for brannalarm, i samsvar med NFPA 70, National Electrical Code, 2002, artikkel 760

NFPA 70, National Electrical Code, 2002, artikkel 300-22(c).

NFPA 90-A, 2002, montering av klimaanlegg og ventilasjonssystemer, paragraf 4.3.10.2.6.5.

EMC-forskrift 89/336/EEC og artikkel 10 (1) av forskriften, EN50081-1 og EN50082-1 som vist med CE-merket.

FreeSpace FS2P-høyttaleren er utformet i henhold til kravene som er definert i følgende europeiske forskrifter for kombinasjonssystemer:

British Standard Code of Practice BS 5839, Part 8, ved bruk med den keramiske terminalblokken og den termiske sikringen.

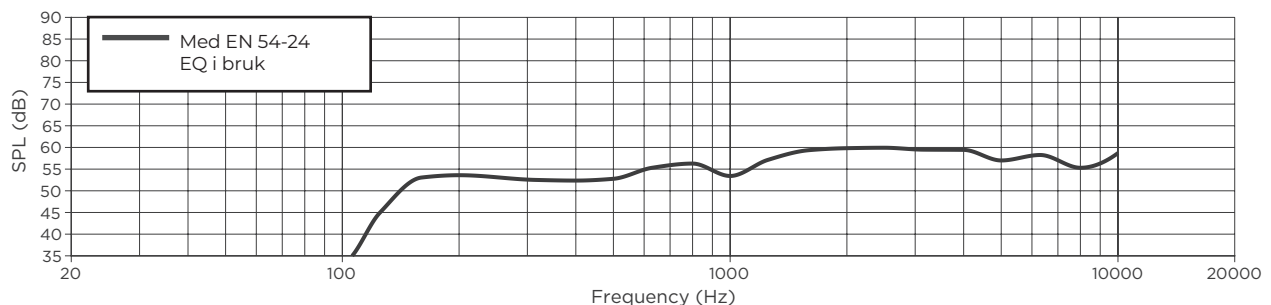
Testet i samsvar med IEC60268-5.

| EN 54-24 sertifiserte klassifiseringer ¹ | | | | | |
|---|-------------------|-------------|-------------|-------------|------------------------|
| Frekvensområde | 100 Hz til 10 kHz | | | | |
| Sensitivitet (1 W @ 4 m) | 70,3 dB | | | | |
| Målt maks. SPL @ 4 m. | 79,5 dB | | | | |
| Dekningsvinkelgrad (Hz) | 500 | 1000 | 2000 | 4000 | |
| Horisontal dekning | 360° | 190° | 120° | 123° | |
| Vertikal dekning | 360° | 190° | 115° | 120° | |
| Nominell impedans | | 1 W | 2 W | 4 W | 8 W 16 W |
| | 70 V | 4900 Ω | 2450 Ω | 1225 Ω | 613 Ω 306 Ω |
| | 100 V | - | 5000 Ω | 2500 Ω | 1250 Ω 625 Ω |
| Passiv nominell impedans | 16 Ω | | | | |
| Nominell støynivå | 16 W | | | | |
| EN 54-24 utjevning | Type | Freq | Gain | Q | BW |
| | PEQ | 10900 Hz | -12 dB | 10 | 0,144 |

Fotnoter

1. Spesifikasjonene ble målt i et ekkofritt rom. Referanseplanet er på grilloverflaten og vinkelrett på referanseaksen. Referanseaksen er vinkelrett på midten av grilloverflaten. Horisontalt plan inneholder referanseaksen og vinkelrett på referanseplanet.

Frekvenssvar på akse



Należy zapoznać się ze wszystkimi zaleceniami dotyczącymi bezpieczeństwa oraz instrukcjami użytkowania i zachować je.

Instalację niniejszego produktu może przeprowadzić wyłącznie specjalista! Niniejszy dokument ma na celu dostarczenie profesjonalnym instalatorom podstawowych wskazówek dotyczących instalacji i bezpieczeństwa tego produktu w typowych, stałych instalacjach. Przed przystąpieniem do instalacji należy zapoznać się z niniejszym dokumentem i wszystkimi ostrzeżeniami dotyczącymi bezpieczeństwa.

Nie wolno serwisować urządzenia samodzielnie. Wszystkie czynności serwisowe muszą być wykonywane przez pracowników autoryzowanych centrów serwisowych, autoryzowanych instalatorów, techników, sprzedawców lub dystrybutorów. Aby skontaktować się z firmą Bose Professional, ze sprzedawcą bądź dystrybutorem w okolicy, odwiedź stronę boseprofessional.com.

1. Należy przeczytać instrukcje.
2. Należy zachować instrukcje.
3. Należy stosować się do wszystkich ostrzeżeń.
4. Należy postępować zgodnie z instrukcjami.
5. Nie należy korzystać z tego urządzenia w pobliżu wody.
6. Urządzenie należy czyścić wyłącznie przy użyciu suchej ściereczki.
7. Nie wolno blokować otworów wentylacyjnych. Urządzenie należy zainstalować zgodnie z zaleceniami producenta.
8. Nie wolno instalować urządzenia w pobliżu źródeł ciepła, takich jak kaloryfery, przewody kominowe, piece lub inne urządzenia wydzielające ciepło (np. wznaciacze).
9. Należy korzystać wyłącznie z dodatków i akcesoriów zalecanych przez producenta.

Klasyfikacja produktu:

Napięcie wejściowe: 70 V / 100 V

Impedancja: 16 Ω, 16 W

Prąd lub moc: (70 V): 1 W, 2 W, 4 W, 8 W, 16 W; (100 V): 2 W, 4 W, 8 W, 16 W

Informacje prawne



Ten produkt jest zgodny ze wszystkimi obowiązującymi wymaganiami dyrektyw UE. Pełna treść Deklaracji zgodności jest dostępna w witrynie: BoseProfessional.com.



Ten produkt jest zgodny ze wszystkimi obowiązującymi wymaganiami dokumentu Electromagnetic Compatibility Regulations 2016 oraz wszelkimi innymi przepisami obowiązującymi w Wielkiej Brytanii. Deklaracja zgodności jest dostępna w następującej witrynie internetowej: BoseProfessional.com



Ten symbol oznacza, że produktu nie należy wyrzucać razem z innymi odpadkami z gospodarstwa domowego. Produkt należy dostarczyć do odpowiedniego miejsca zbiórki w celu recyklingu. Właściwy sposób utylizacji i recyklingu pomaga chronić zasoby naturalne, ludzkie zdrowie i środowisko naturalne. Aby uzyskać więcej informacji na temat utylizacji i recyklingu tego produktu, skontaktuj się z samorządem lokalnym, w zakładzie utylizacji odpadów albo w sklepie, w którym produkt został nabyty.

Data produkcji: ósma cyfra numeru seryjnego oznacza rok produkcji, np. cyfra „7” oznacza rok 2007 lub 2017.

Importer — UE: Transom Post Netherlands B.V., Keizersgracht 391A, 1016 EJ, Amsterdam | **Importer — Wielka Brytania:** Transom Post Netherlands UK, Squires House 205a High Street, West Wickham, BR4 0PH | **Importer z Japonii:** Transom Post International Japan KK Co., Ltd. PMO Tamachi IV Shiba5-29-19, Minato-ku, Tokio | **Importer — Australia:** Transom Post Australia Pty. Ltd., Level 14, 60 Margaret Street, Sydney, NSW 2000 | **Importer — Chiny:** Transom Post (Shanghai) Audio Co. Ltd Room 2209, Building 1, 175 Longyao Road, Xuhui District, Shanghai | **Importer — Meksyk:** POST INTL MEXICO, S. DE R.L. DE C.V. Insurgentes Sur No. 1079, 1st floor, Colonia Noche Buena, Benito Juárez, C.P. 03270, Meksyk | **Importer — ZEA:** 102 A, Sama Tower Sheikh Zayed Road, Dubaj, ZEA

Bose jest znakiem towarowym firmy Bose Corporation.

FreeSpace jest znakiem towarowym firmy Transom Post OpCo LLC.

Bose Professional, 117 South St, Hopkinton, MA 01748 USA

©2024 Transom Post OpCo LLC. Żadnej części tego dzieła nie wolno reprodukcować, modyfikować, rozpowszechniać ani w inny sposób wykorzystywać bez uprzedniego uzyskania pisemnego pozwolenia.

Informacje o gwarancji

Opisywany produkt objęty jest ograniczoną gwarancją. Szczegółowe informacje na temat gwarancji można znaleźć na stronie boseprofessional.com.



OSTRZEŻENIA/PRZESTROGI



Produkt zawiera elementy magnetyczne. Aby dowiedzieć się, czy mogą one mieć wpływ na funkcjonowanie implantów medycznych, należy skonsultować się z lekarzem.



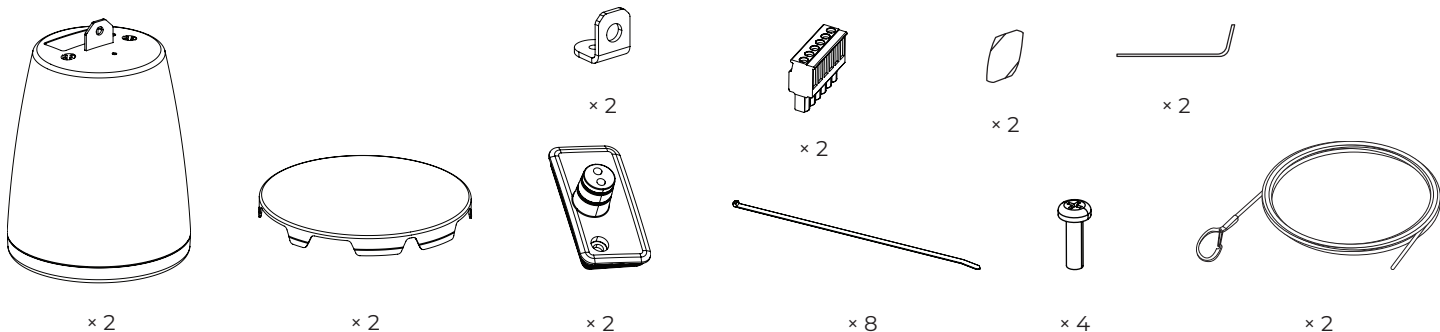
Produkt zawiera drobne elementy, które mogą spowodować niebezpieczeństwo zadławienia. Nie jest on odpowiedni dla dzieci w wieku poniżej 3 lat.

- Produkt jest przeznaczony wyłącznie do użytku w pomieszczeniach.
- Wszystkie produkty Bose Professional muszą być instalowane zgodnie z przepisami lokalnymi, krajowymi, federalnymi i branżowymi. Instalator jest zobowiązany zainstalować głośniki i system montażowy zgodnie ze wszystkimi obowiązującymi regulaminami, w tym regulaminami i przepisami obowiązującymi w budynku. Przed instalacją produktu należy skonsultować się z odpowiednimi władzami.
- Niebezpieczny montaż lub podwieszenie ciężkiego ładunku może spowodować poważne obrażenia lub śmierć oraz uszkodzenie mienia. Do obowiązków instalatora należy ocena niezawodności każdej metody montażu stosowanej w tym przypadku. Montaż podwieszanych głośników może być przeprowadzany wyłącznie przez profesjonalnych instalatorów posiadających wiedzę o odpowiednim sprzęcie i bezpiecznych technikach montażu.
- Nie wolno montować produktu w miejscach, w których może być ono narażone na kontakt z wodą lub ze skroploną parą wodną.
- Nie wolno narażać urządzenia na działanie wody ani umieszczać na nim lub obok niego pojemników wypełnionych wodą, np. wazonów.
- Niniejszy produkt nie jest przeznaczony do instalacji ani stosowania w pomieszczeniach mających stały kontakt z wodą (w tym m.in. basenach wewnętrznych, parkach wodnych, pomieszczeniach z jacuzzi, saunach, łaźniach parowych i lodowiskach).
- Nie montować urządzenia na powierzchniach niewystarczająco solidnych lub stwarzających zagrożenia związane z instalacją elektryczną lub hydrauliczną. Uchwyt powinien zamontować wykwalifikowany instalator z zachowaniem lokalnych przepisów budowlanych.
- Należy używać wyłącznie sprzętu i akcesoriów dostarczonych lub określonych przez firmę Bose Professional jako odpowiednie do głośników FreeSpace FS2P. Informacje na temat zgodnych akcesoriów można znaleźć w arkuszu danych technicznych produktu pod adresem boseprofessional.com.
- Produkt musi być umieszczony z dala od ognia i źródeł ciepła. Na urządzeniu lub w jego pobliżu nie należy umieszczać źródeł otwartego ognia, np. zapalonych świec.
- Nie wolno dokonywać modyfikacji produktu bez zezwolenia.
- Nie wolno narażać głośnika lub elementów montażowych na działanie substancji chemicznych, które nie zostały dozwolone przez firmę Bose Professional, w tym m.in. środków smarnych i czyszczących, środków do ochrony instalacji elektrycznych oraz rozpuszczalników na bazie węglowodorów. Narażenie na działanie takich substancji może prowadzić do degradacji materiałów plastikowych, a w rezultacie do pęknięcia i stworzenia zagrożenia upadkiem.
- Głośniki należy czyścić wyłącznie suchą szmatką. Nie należy wystawiać głośnika na działanie mydła, detergentów, oleju mineralnego, alkoholu ani innych środków czyszczących lub chemikaliów.

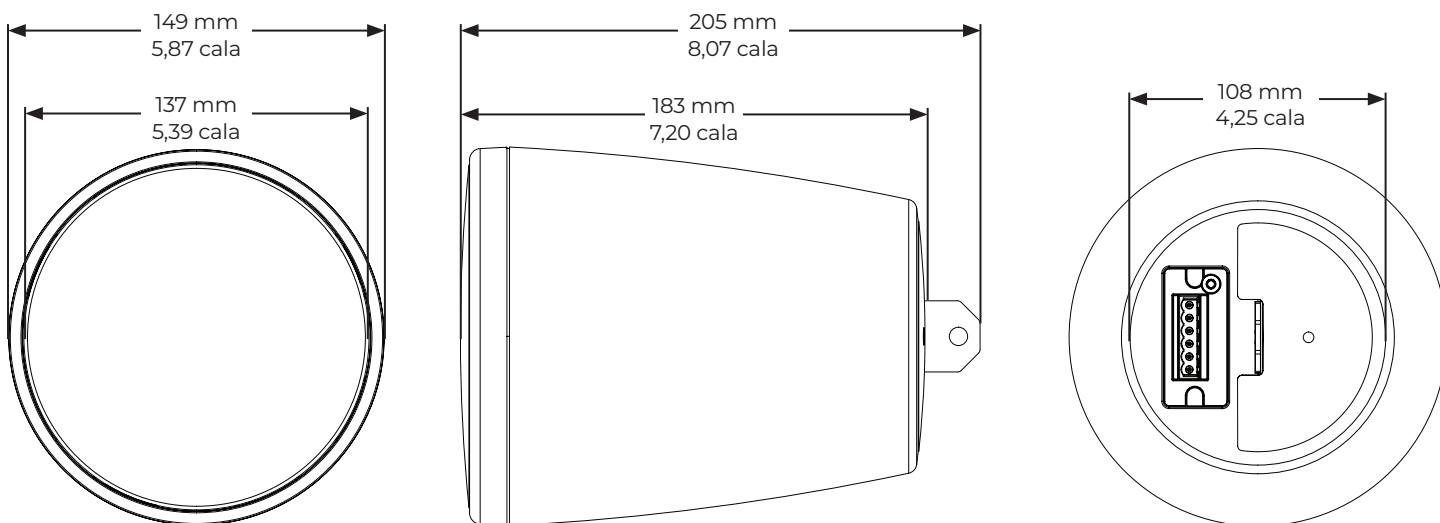
Ostrzeżenia dotyczące linek montażowych:

- Linka ta nie jest przeznaczona do instalacji ani stosowania w pomieszczeniach mających stały kontakt z wodą (w tym m.in. basenach wewnętrznych, parkach wodnych, pomieszczeniach z jacuzzi, saunach, łaźniach parowych i lodowiskach).
- Nie należy używać do podnoszenia, na przykład za pomocą żurawi lub bloczków, ani do montowania ruchomych instalacji wiszących. Przystosowana wyłącznie do podwieszania głośników w sposób nieruchomy.
- Nie wolno stawać na instalacji lub po niej chodzić.
- Nie wolno zamalowywać zacisku ani żadnego innego elementu zwieszaka.
- W przypadku korzystania z linki montażowej innej firmy jej dopuszczalne obciążenie robocze musi być równe lub wyższe niż dopuszczalne obciążenie robocze linki montażowej znajdującej się w zestawie.
- Nie wolno pokrywać zacisku ani żadnego innego elementu zwieszaka olejem lub innymi substancjami smarnymi.
- W żadnym wypadku nie wolno łączyć linek ze sobą. Do każdego punktu zakotwiczenia wolno przymocować tylko jedną linkę.
- Do montowania podwieszanych głośników Bose Professional należy używać tylko zwieszaków linkowych.

Zawartość opakowania



Wymiary produktu



Dane techniczne

Dodatkowe dane techniczne można znaleźć w arkuszu danych technicznych FreeSpace FS2P na stronie boseprofessional.com.

| Fizyczne | |
|--|---|
| Wymiary produktu | Średnica maskownicy: 137 mm (5,39 cala) |
| | Średnica obudowy: 149 mm (5,87 cala) |
| | Głębokość: 205 mm (8,07 cala) |
| Wymiary linki | Długość: 4,57 m (15,00 stóp) |
| | Średnica: 2 mm (0,08 cala) |
| Maksymalne obciążenie (dopuszczalne obciążenie robocze)¹ | 45,36 kg (100,0 lb) |
| Waga netto — głośnik z osłoną (pojedynczy) | 1,47 kg (3,25 funta) |
| Waga przesyłki (para) | 4,06 kg (8,95 funta) |
| Otoczenie | Wyłącznie w pomieszczeniach |

1. Obciążenie linki montażowej nigdy nie powinno przekraczać jej dopuszczalnego obciążenia roboczego. Dopuszczalne obciążenie robocze linki montażowej dołączonej do zestawu wynosi ok. 45 kg (100 funtów).

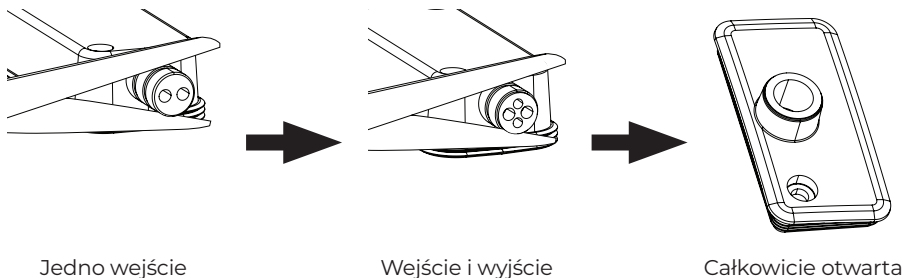
Ważne informacje dotyczące instalacji



Przed rozpoczęciem montażu głośnika zapoznaj się z **Ważnymi zaleceniami dotyczącymi bezpieczeństwa** znajdującymi się na stronie 37.



Do **zastosowań w alarmach przeciwpożarowych i ewakuacyjnych** — stopień ochrony IP21C zgodnie z normą EN 54-24.



Przygotowanie osłony chroniącej przed działaniem warunków atmosferycznych

Oslona chroniąca przed działaniem warunków atmosferycznych jest przystosowana do trzech różnych konfiguracji okablowania (patrz powyżej). Aby zmienić konfigurację osłony wejść i dopasować ją do pożądanego układu, odetnij końcówkę zgodnie z dziurkowaniem.

Uwaga: jeśli urządzenie jest używane tylko w pomieszczeniach, nie trzeba stosować osłony wejść.

Uwaga: wybierając całkowicie otwartą konfigurację gumowej rurki, instalator musi zabezpieczyć system przed wniknięciem wody do złącza Euroblock.

Okablowanie głośnika

Grubość przewodu

Do montażu głośnika FreeSpace FS2P należy stosować wyłącznie przewody o rozmiarze od 18 AWG (0,8 mm²) do 14 AWG (2,1 mm²).

Schematy połączeń

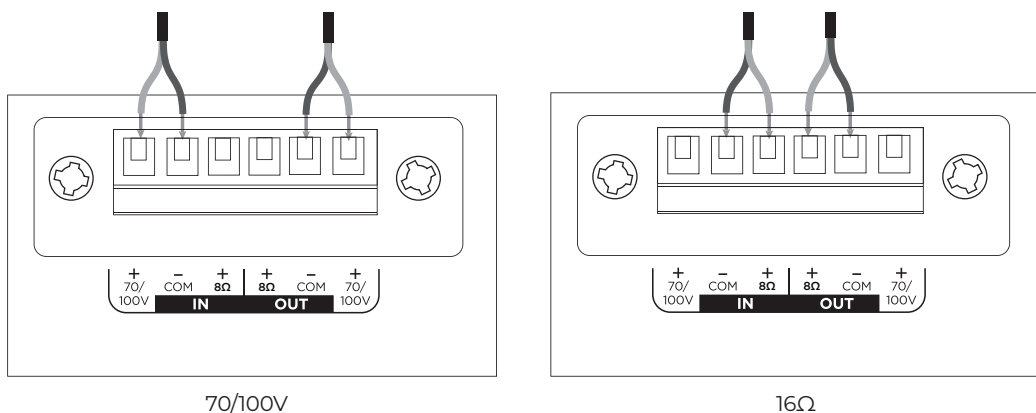
Odsłonić sześć milimetrów (¼ cala) niez izolowanego przewodu, aby podłączyć go do zacisków.

Uwaga! Głośnik nie jest przeznaczony do użytku ze sztywnym kanałem kablowym. Głośnik może być podłączony wyłącznie do elastycznego kanału kablowego lub okablowania.

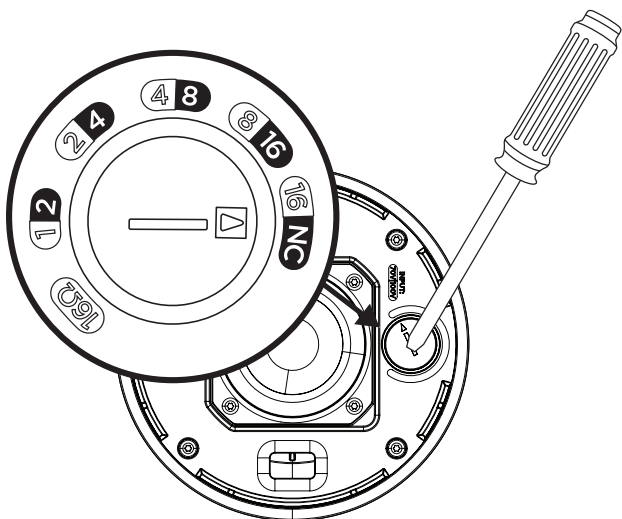
Uwaga: okablowanie musi być wykonane zgodnie z następującymi normami:

(w Kanadzie) certyfikat CSA C22.1 Canadian Electrical Code, część I, Safety Standard for Electrical Installations, punkt 32;

(w Stanach Zjednoczonych) norma NFPA 70.



Ustawienia głośnika



| 70 V | | | | | 16 Ω |
|-------|-----|-----|------|-------|------|
| 1 W | 2 W | 4 W | 8 W | 16 W* | |
| 2 W | 4 W | 8 W | 16 W | NC** | |
| 100 V | | | | | |

* Ustawienia fabryczne

** NC brak połączenia (nie używać)

Ustawienie gwintownika transformatora

Ustaw gwintownik, obracając go. Użyj płaskiego śrubokrętu.

Przygotowanie do montażu

Korzystanie z linki zabezpieczającej

Niektóre regionalne przepisy budowlane wymagają zastosowania dodatkowej metody zabezpieczania głośników w celu zapewnienia dodatkowego bezpieczeństwa. Pozycja, sposób i elementy montażu muszą być zgodne z lokalnymi normami i przepisami budowlanymi.

Firma Bose Professional zaleca użycie (1) przewodu zabezpieczającego lub (2) linki zabezpieczającej jako dodatkowego mechanizmu zabezpieczającego (brak w zestawie). Punkty mocowania osprzętu zabezpieczającego przedstawiono na schemacie po prawej stronie.

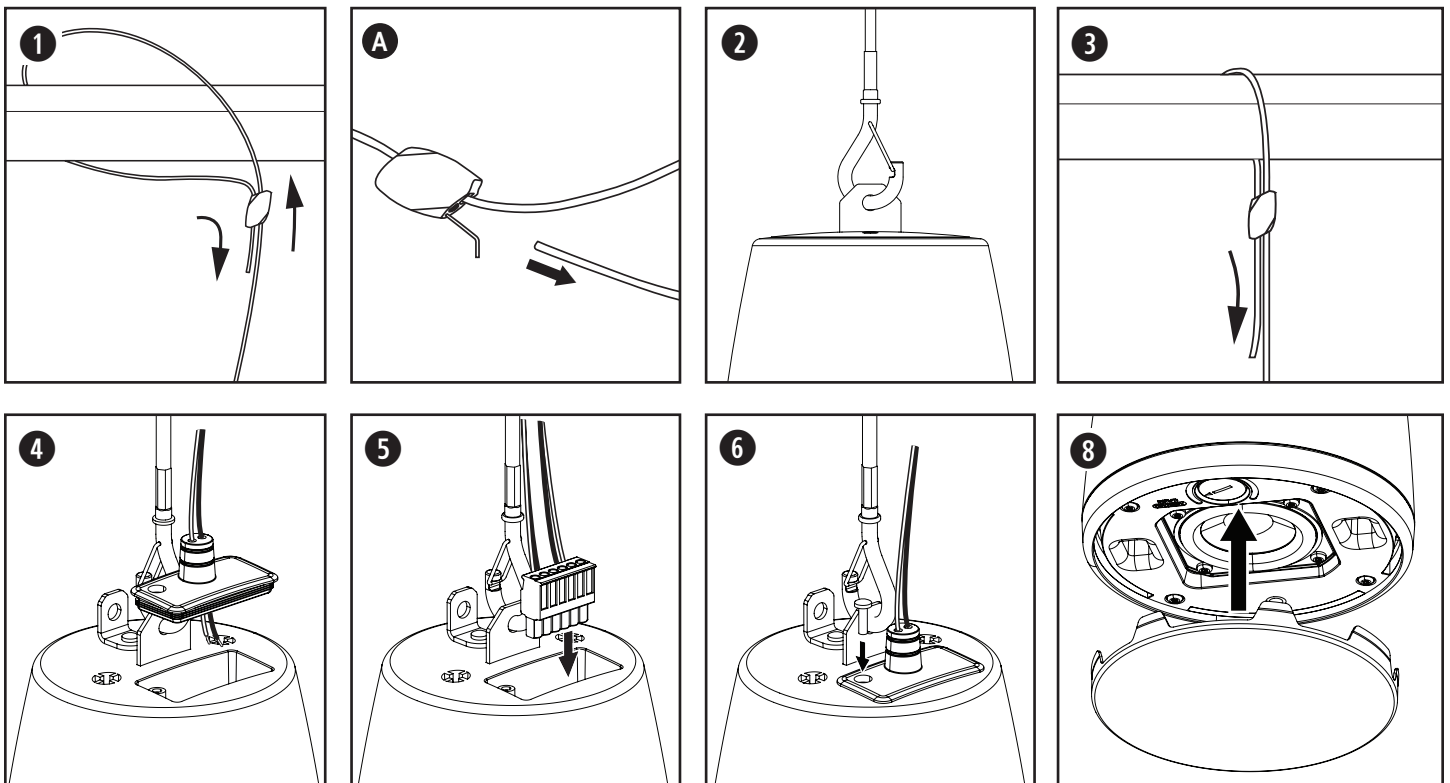
Należy przestrzegać instrukcji producenta dotyczących dodatkowego mechanizmu zabezpieczającego.

Montaż głośnika

- Dołączoną do zestawu linkę montażową przeciągnij przez zacisk i owiń wokół struktury, na której ma wisieć głośnik. Następnie zabezpiecz linkę za pomocą zacisku. Uwaga! Strzałki na zacisku wskazują kierunek przeciągania linki.
 - Aby poluzować linkę, wsuń narzędzie montażowe do otworu zwalniającego i dostosuj napięcie linki.
- Przyczepić karabińczyk do punktu mocowania linki podwieszającej.
- Pociągnąć wolny koniec linki podwieszającej, aby ustawić głośnik na żądanej wysokości. Po ustawieniu głośnika na żądanej wysokości odciąć wolny koniec linki podwieszającej. **Uwaga!** Po przycięciu linki do odpowiedniej długości wszelkie strzępiące się włókna należy odciąć obcinakiem do kabli.
- Przeciągnąć okablowanie głośnika przez gumowy przepust kablowy w osłonie wejść (patrz **Przygotowanie osłony wejść** na stronie 39).
- Podłączyć przewody do złącza i umieścić złącze w głośniku. Informacje na temat okablowania można znaleźć w sekcji **Podłączenie okablowania do głośnika** na stronie 39.
- Umieścić osłonę wejść nad złączem i docisnąć ją do głośnika, by powstało szczelne połączenie. Przytwierdzić osłonę wejść za pomocą śruby.
- Za pomocą dołączonych do zestawu opasek kablowych poprowadzić okablowanie głośnika wzdłuż linki podwieszającej.

Uwaga! Przed zamocowaniem osłony dostosuj ustawienia poboru mocy głośnika do specyfikacji instalacji elektrycznej. Patrz **Ustawienia głośnika** na stronie 39.

- Przyłożyć osłonę do dolnej części obudowy głośnika tak, aby najmniejsze zakładki osłony znajdowały się po bokach przełącznika. Docisnąć osłonę do głośnika, aż wskoczy na miejsce. Jeśli to konieczne, można scisnąć zakładki osłony, aby ułatwić sobie właściwy montaż osłony w obudowie głośnika.



Demontaż osłony

Wsuń niewielkie narzędzie (o średnicy do 1,5 mm) do otworu znajdującego się na brzegu osłony, a następnie pociągnij, aby odzepić osłonę.



PRZESTROGA! Osłony nie należy podważać za pomocą wkrętaka. Może to prowadzić do uszkodzenia głośnika.

Informacje dotyczące bezpieczeństwa i zgodności

Głośnik FreeSpace FS2P przeszedł testy i jest zgodny z następującymi specyfikacjami i zastosowaniami:

Zgodność z normami ANSI/UL 1480A-2016, Głośniki do bezpiecznego użytku komercyjnego i specjalistycznego

Do zastosowań ogólnych — kategoria UL UEAY, numer pliku S36835.
Produkt nadaje się do użytku wewnątrz budynków o niskiej wilgotności.

EN 54-24: 2008, dla głośników przeznaczonych do dźwiękowych systemów ostrzegawczych stosowanych w systemach wykrywania pożaru i alarmów przeciwpożarowych montowanych w budynkach.

Typ środowiska: A (do użytku wewnątrz budynków)

Głośniki nadające się do instalacji przy użyciu okablowania klasy 1, 2 lub 3 zgodnie z normą NFPA 70, National Electric Code, 2002, art. 640.

Głośniki nadają się do instalacji przy użyciu okablowania stosowanego w alarmach przeciwpożarowych zgodnie z normą NFPA 70, National Electric Code, 2002, art. 760

NFPA 70, National Electric Code, 2002, art. 300-22(c).

NFPA 90-A, 2002, Instalacja systemów klimatyzacji i wentylacji, paragraf 4.3.10.2.6.5.

EMC Dyrektywa 89/336/EEC i art. 10 (1) dyrektywy, EN50081-1 i EN50082-1, o czym świadczy oznakowanie CE.

Głośnik FreeSpace FS2P został zaprojektowany zgodnie z wymaganiami określonymi w następujących europejskich przepisach dotyczących systemów łączonych:

British Standard Code of Practice BS 5839, część 8., w przypadku korzystania z ceramicznego bloku zacisków i bezpiecznika termicznego.

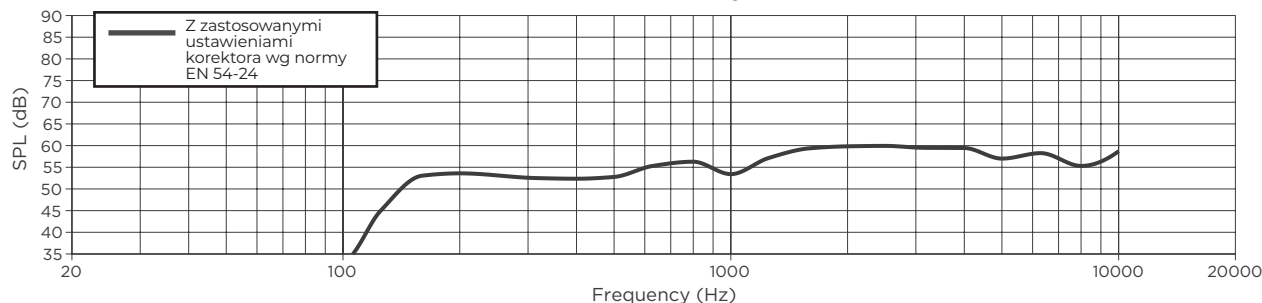
Produkt przetestowany pod kątem zgodności z normą IEC60268-5.

| Zgodność z certyfikatem EN 54-24 ¹ | | | | | | |
|---|---------------------|---------------|-------------|--------|--------|-------|
| Zakres częstotliwości | od 100 Hz do 10 kHz | | | | | |
| Czułość (1 W, odl. 4 m) | 70,3 dB | | | | | |
| Maksymalny zmierzony SPL, odl. 4 m | 79,5 dB | | | | | |
| Kąt pokrycia – pasmo oktawowo (Hz) | 500 | 1000 | 2000 | 4000 | | |
| Propagacja pozioma | 360° | 190° | 120° | 123° | | |
| Propagacja pionowa | 360° | 190° | 115° | 120° | | |
| Impedancja znamionowa | | 1 W | 2 W | 4 W | 8 W | 16 W |
| | 70 V | 4900 Ω | 2450 Ω | 1225 Ω | 613 Ω | 306 Ω |
| | 100 V | — | 5000 Ω | 2500 Ω | 1250 Ω | 625 Ω |
| Pasywna impedancja nominalna | 16 Ω | | | | | |
| Znamionowa moc szumowa | 16 W | | | | | |
| EN 54-24 – kompensacja | Typ | Częstotliwość | Wzmocnienie | Q | BW | |
| | PEQ | 10900 Hz | -12 dB | 10 | 0,144 | |

Przypisy

1. Parametry techniczne zostały zmierzone w komorze bezodbiwojowej (wolna przestrzeń). Płaszczyzna odniesienia znajduje się na powierzchni maskownicy i jest prostopadła do osi odniesienia. Oś odniesienia jest prostopadła do środka powierzchni maskownicy. Płaszczyzna pozioma obejmuje oś odniesienia i jest prostopadła do płaszczyzny odniesienia.

Osiowa charakterystyka częstotliwościowa



请阅读并保留所有安全和使用说明。

本产品仅适合由专业安装人员安装！本文档旨在为专业安装人员提供在典型的固定安装系统中安装此产品时适用的基本安装和安全指南。请先阅读本文档和所有安全警告，再尝试安装。

请勿尝试自行维修此产品。所有维修服务必须由授权服务中心、安装人员、技术人员、经销商或分销商提供。要联系 Bose Professional 或查找您附近的经销商或分销商，请访问 boseprofessional.com。

1. 请阅读这些说明。
2. 请保留这些说明。
3. 请注意所有警告。
4. 请遵守所有说明。
5. 请勿在近水区域使用本设备。
6. 只能使用干布进行清洁。
7. 请勿堵塞任何通风口。请按照制造商的说明进行安装。
8. 请勿安装在靠近任何热源的位置，例如暖气片、热调节装置、火炉或可产生热量的其他设备（包括功放）。
9. 只能使用制造商指定的附件/配件。



警告/小心





本产品含有磁性材料。有关这是否会影响到您的植入式医疗器械，请咨询您的医生。



包含可能导致窒息危险的小部件。不适合 3 岁以下的儿童使用。

- 本产品仅可在室内使用。
- 所有 Bose Professional 产品的安装都必须遵守当地、州、联邦和行业规范。安装人员有责任确保扬声器和安装系统的安装都符合适用的法规，包括当地的建筑法规和规定。安装本产品前，请咨询拥有司法管辖权的当地监管机构。
- 以不安全的方式登高安装或吊装任何重物可能导致严重的人身伤害、死亡或财产损失。安装人员有责任评估在其应用中所使用的任何安装方法的可靠性。只有正确了解硬件且掌握安全安装方法的专业安装人员才能尝试以吊装的方式安装任何扬声器。
- 请勿将本产品安装在可能接触到水或可能发生冷凝的位置。
- 本产品不得受液体飞溅或喷洒，不得将装有液体的物体（如花瓶等）置于本产品上或本产品附近。
- 本产品不适合在室内涉水设施区域安装或使用（包括但不限于室内游泳馆、室内水上乐园、有热水浴缸的房间、桑拿房、蒸汽浴室以及室内溜冰场）。
- 请勿将本产品安装在不结实或有潜在危险的表面，比如铺有电线或管道的地方。确保支架由拥有相应资质的专业安装人员安装且符合当地的建筑法规。
- 仅使用随附安装紧固件和配件或 Bose Professional 指定与 FreeSpace FS2P 扬声器配合使用的安装紧固件和配件。有关兼容附件的信息，请参阅 boseprofessional.com 上的产品技术参数表。
- 请将本产品放置到远离火源和热源的地方。请勿将明火火源（如点燃的蜡烛）置于本产品上或靠近本产品。
- 未经授权切勿改装本产品。
- 请勿让扬声器或安装组件接触 Bose Professional 未说明的任何化学物质，包括但不限于润滑剂、清洗剂、触点喷剂或烃类溶剂。接触此类物质可能会导致本产品的塑料材料老化，进而导致产品开裂和掉落。
- 只能使用干布清洁扬声器。请勿让扬声器接触肥皂、清洁剂、矿物油、酒精或其他清洁剂或化学品。

安全绳特定警告：

- 本安全绳不适合在室内涉水设施区域安装或使用（包括但不限于室内游泳馆、室内水上乐园、有热水浴缸的房间、桑拿房、蒸汽浴室以及室内溜冰场）。
- 请勿用于起重，如起重机或滑轮，或有运动或动态行为的悬挂装置。仅用于悬挂静态扬声器。
- 请勿在安全绳安装处行走或站立。
- 请勿在安全绳紧固件或安全绳组件的任何其他部件上喷漆。
- 如果使用的安全绳系统不是由 Bose Professional 提供的，则额定载荷必须大于或等于所提供的安全绳系统。
- 不要在安全绳紧固件或安全绳组件的任何其他部件上涂油或任何其他润滑剂。
- 绝对不要把两根安全绳连接在一起。每个扬声器悬挂点只能使用一个安全绳组件。
- 只使用垂吊悬挂安全绳来安装 Bose Professional 垂吊扬声器。

产品额定值：

输入电压：70V/100V

阻抗：16 Ω, 16 W

电流或功率：(70V)：1W、2W、4W、8W、16W；(100V)：2W、4W、8W、16W

规范信息



本产品符合所有适用的欧盟指令要求。您可以从以下网址找到完整的合规声明：BoseProfessional.com。



本产品符合所有适用的 2016 电磁兼容性法规和所有其他适用的英国法规。符合声明全文载于：BoseProfessional.com



此符号表示不得将此产品作为生活垃圾丢弃，应将其送到合适的回收站点进行回收。正确处理和回收有助于保护自然资源、人类健康和环境。想要获得更多关于此产品的处理和回收的信息，请联系当地市政当局、垃圾处理服务部门或您购买此产品的商店。

中国危险物质限用表

| 有毒或有害物质或元素名称及成分 | | | | | | |
|-----------------|------------|--------|--------|--------------|-------------|--------------|
| 零件名称 | 有毒或有害物质和元素 | | | | | |
| | 铅 (Pb) | 汞 (Hg) | 镉 (Cd) | 六价铬 (CR(VI)) | 多溴化联苯 (PBB) | 多溴二苯醚 (PBDE) |
| 印刷电路板 | X | 0 | 0 | 0 | 0 | 0 |
| 金属零件 | X | 0 | 0 | 0 | 0 | 0 |
| 塑料零件 | 0 | 0 | 0 | 0 | 0 | 0 |
| 扬声器 | X | 0 | 0 | 0 | 0 | 0 |
| 线缆 | X | 0 | 0 | 0 | 0 | 0 |

此表格依据 SJ/T 11364 的要求制定。

0：表示此零件中所有均质材料所包含的此类有毒或有害物质均低于 GB/T 26572 中的限定要求。

X：表示此零件所用全部均质材料中至少有一种包含的有毒或有害物质高于 GB/T 26572 中的限定要求。

生产日期：序列号中第八位数字表示生产年份；“7”表示 2007 年或 2017 年。

欧洲进口商：Transom Post Netherlands B.V., Keizersgracht 391A, 1016 EJ, Amsterdam | 英国进口商：Transom Post Netherlands UK, Squires House 205a High Street, West Wickham, BR4 0PH | 日本进口商：Transom Post International Japan KK Co., Ltd. PMO Tamachi IV Shiba5-29-19, Minato-ku, Tokyo | 澳大利亚进口商：Transom Post Australia Pty. Ltd., Level 14, 60 Margaret Street, Sydney, NSW 2000 | 中国进口商：Transom Post (Shanghai) Audio Co. Ltd 上海市徐汇区龙耀路 175 号 1 号楼 2209 室 | 墨西哥进口商：POST INTL MEXICO, S. DE R.L.DE C.V.Insurgentes Sur No. 1079, 1st floor, Colonia Noche Buena, Benito Juárez, C.P.03270, Mexico City | 阿联酋进口商：102 A, Sama Tower Sheikh Zayed Road, Dubai UAE

Bose 是 Bose Corporation 的商标。

FreeSpace 是 Transom Post OpCo LLC 的商标。

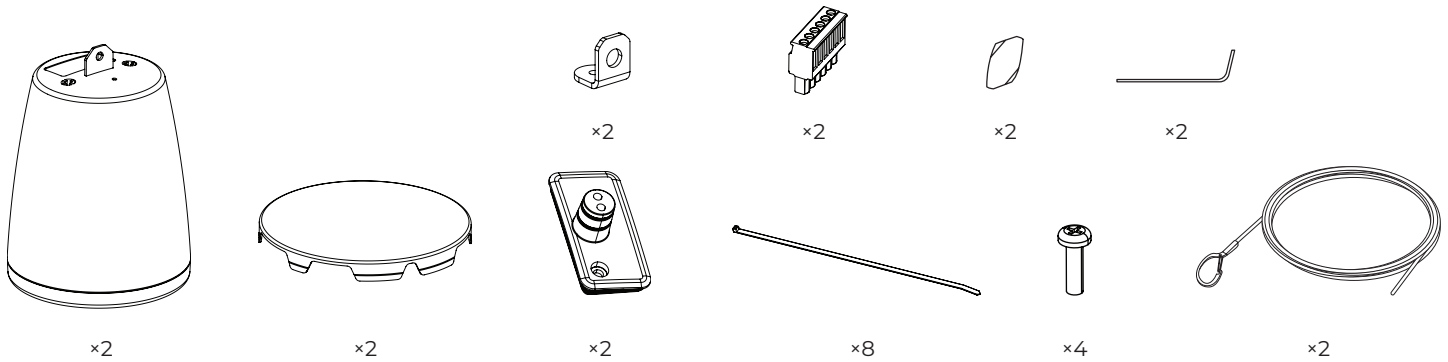
Bose Professional, 117 South St, Hopkinton, MA 01748 USA

©2024 Transom Post OpCo LLC。未经事先书面许可，不得复制、修改、分发或以其他方式使用本文档的任何部分。

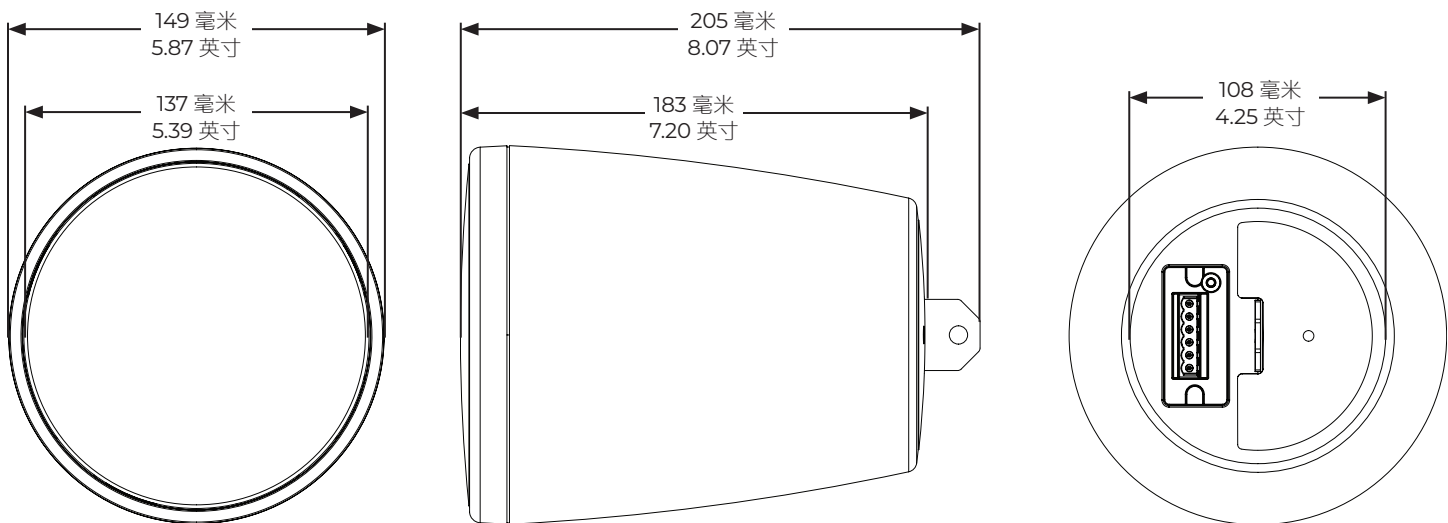
质保信息

本产品享有有限保修。
有关质保的详细信息，请访问。

包装清单



产品尺寸



技术规格

有关其他规格，请参阅 boseprofessional.com 上的 FreeSpace FS2P 技术参数表。

| 外观 | |
|----------------------------|------------------------|
| 产品尺寸 | 网罩直径: 137 毫米 (5.39 英寸) |
| | 外壳直径: 149 毫米 (5.87 英寸) |
| | 深度: 205 毫米 (8.07 英寸) |
| 线缆尺寸 | 长度: 4.57 米 (15.00 英尺) |
| | 直径: 2 毫米 (0.08 英寸) |
| 最大负荷 (安全工作负荷) ¹ | 45.36 千克 (100.0 磅) |
| 带网罩的扬声器净重 (单个) | 1.47 千克 (3.25 磅) |
| 装运重量 (成对) | 4.06 千克 (8.95 磅) |
| 环境 | 仅限室内 |

1. 务必在规定的安全工作负荷范围内使用安全绳。随附的悬挂安全绳的安全工作负荷为 100 磅。

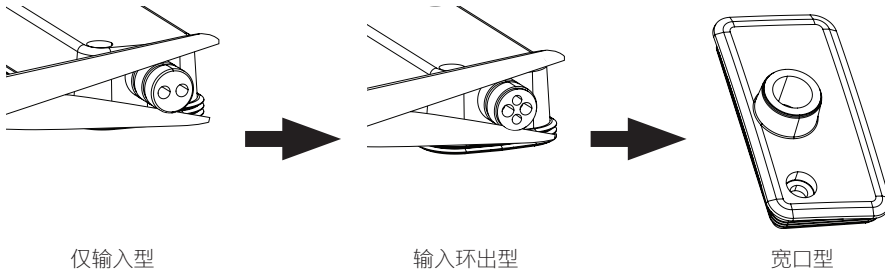
重要安装信息



安装扬声器之前，请阅读第 42 页上的重要安全说明。



对于火灾和疏散通知应用程序，环境评级为 IP21C (依据 EN 54-24)。



准备防风雨输入防护罩

防风雨输入防护罩是针对三种不同布线情况设计的（请参见上图）。若要改变输入防护罩的配置以适应布线情况，请沿橡胶管上的小孔进行剪切。

注意： 仅限室内的安装不需要使用输入防护罩。

注意： 如果使用开口橡胶管配置，安装人员有责任进行密封，以防止水进入 Euroblock 接口。

扬声器接线

线规

FreeSpace FS2P 扬声器仅可与 18 AWG (0.8 平方毫米) 至 14 AWG (2.1 平方毫米) 规格的接线一起使用。

接线图

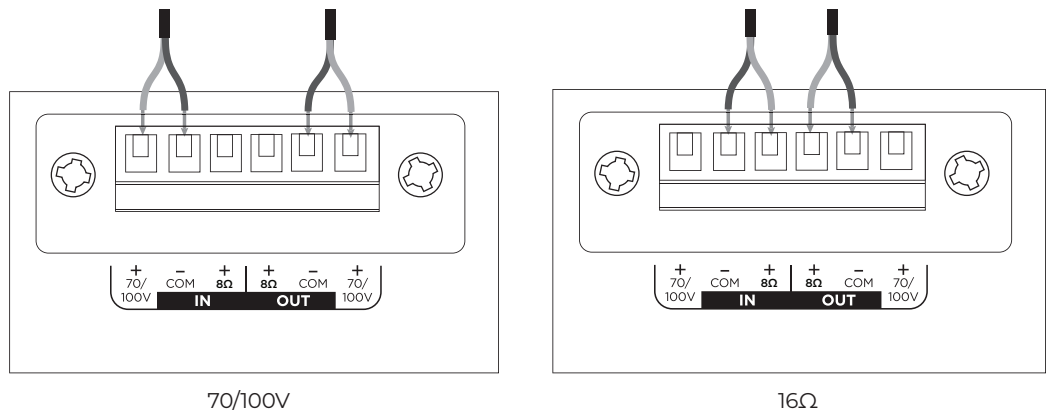
露出六毫米 (1/4 英寸) 长的裸线以连接到端子。

注意： 扬声器不适合与硬质管子一起使用。扬声器仅适合软质管子或直接布线连接方式。

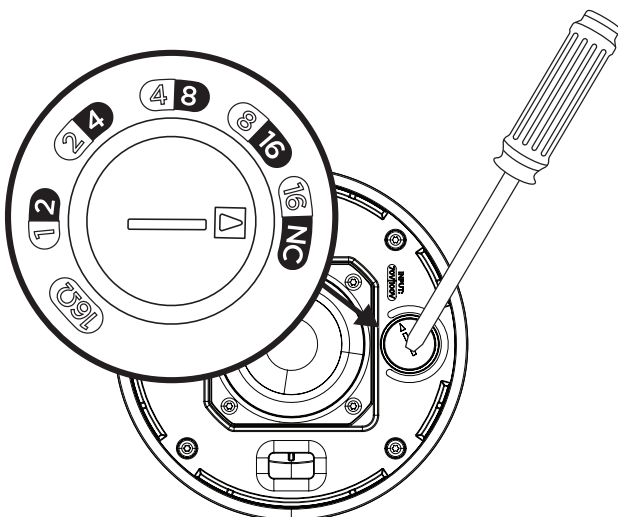
注意： 布线方法必须符合：

在加拿大，《加拿大电气规范》第 I 部分 CSA C22.1, 电气安装安全标准第 32 节；

在美国, NFPA 70



扬声器设置



| | | | | | | |
|----|----|----|-----|------|------|--|
| | | | | | 70V | |
| 1W | 2W | 4W | 8W | 16W* | 16Ω | |
| 2W | 4W | 8W | 16W | NC** | | |
| | | | | | 100V | |

* 出厂默认设置

** NC: 无连接 (不使用)

变压器抽头设置

转动设置抽头。使用平头螺丝刀。

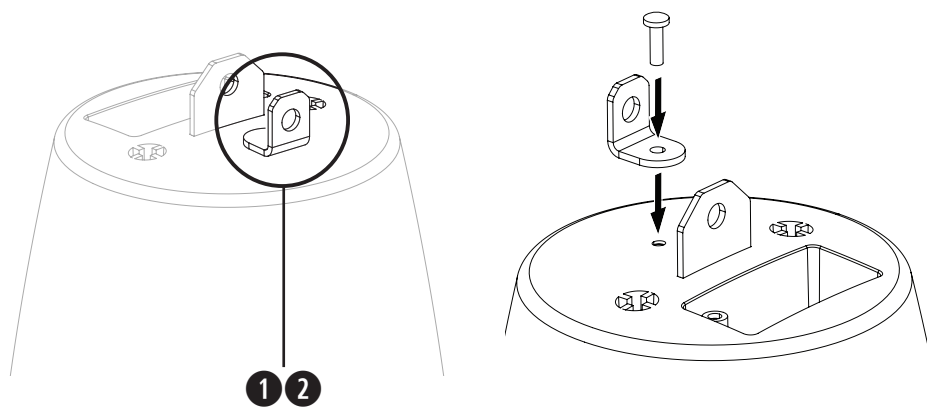
准备安装

使用安全绳

某些地区的施工规范要求使用辅助方法将扬声器固定到支撑结构，以提供额外的安全保障。选择符合当地的建筑法规和条例的安装位置、方法和安装紧固件。

Bose Professional 建议使用 (1) 一根保险钢丝或 (2) 一根安全绳（不随附）作为辅助固定装置。有关安全连接点，请参阅右侧图片。

对于任何所需辅助固定装置，请遵循制造商的说明。

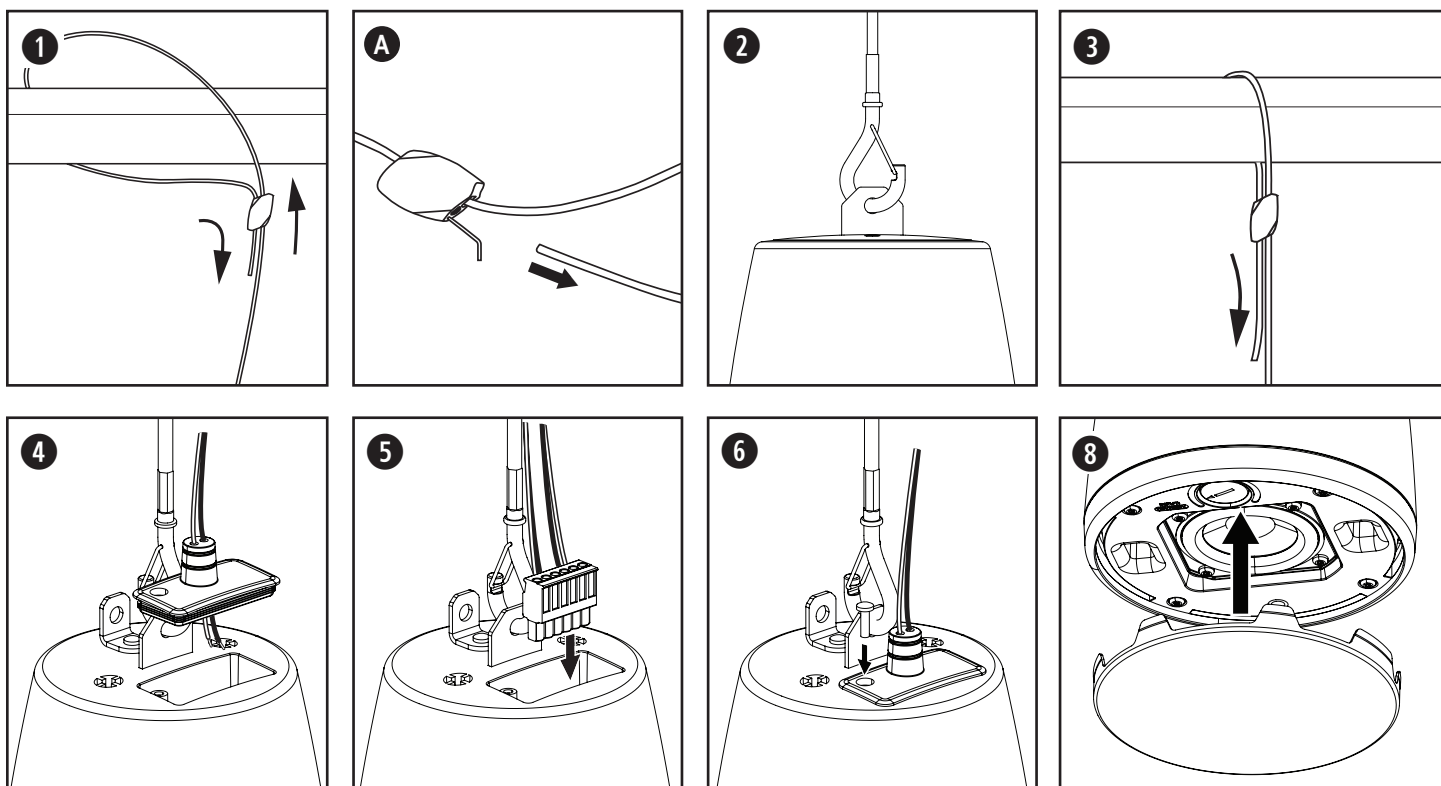


安装扬声器

- 将随附的悬挂安全绳穿过安全绳紧固件，并将安全绳缠绕在支撑结构上；使用安全绳紧固件固定安全绳。注意：安全绳紧固件上的箭头表示安全绳的方向。
 - 将紧固件工具插入释放孔并调整安全绳以松开安全绳。
- 将线缆夹固定至扬声器悬吊线缆连接点。
- 拉动悬吊线缆的松弛端，以将扬声器调整到所需高度。达到所需的扬声器高度后，切断多余的线缆。注意：切割到一定长度后，用钢丝钳修剪任何磨损的细丝。
- 将扬声器接线穿过输入罩的橡胶管（参阅第 44 页的准备输入罩）。
- 将线连接到接头上，并将接口插入扬声器。有关接线信息，请参阅第 44 页的扬声器接线。
- 将输入罩放置于接口上，并将其牢牢压在扬声器上，以紧密密封。使用输入罩螺钉固定输入罩。
- 使用随附的线缆扎带将接线固定至悬吊线缆。

注意：在安装网罩之前，请将扬声器抽头设置调整为正确的设置。请参阅第 44 页的扬声器设置。

- 将网罩与扬声器外壳的内部对齐，以使两个最小的网罩扣位于抽头开关的两侧。将网罩推到扬声器上，直至其固定到位。如有必要，向内推动网罩扣，使其正确推入扬声器外壳。



移除网罩

将小工具（直径不超过 1.5 毫米）沿网罩边缘的网罩穿孔插入，然后拉动卸下网罩。



注意：请勿使用螺丝刀将网罩从外壳上撬下。这可能会损坏扬声器。

安全与法规遵从

FreeSpace FS2P 扬声器经过测试，符合以下规格和用途：

列出的扬声器符合 ANSI/UL 1480A-2016，适合商业和安全专业用途

通用 – UL 类别 UEAY，文件号 S36835。
适合在室内干燥的场所中使用。

EN 54-24: 2008 扬声器适用于进行火灾探测的语音报警系统和适用于建筑的火灾报警系统

环境类型：A（室内应用）

适合使用 1 级、2 级或 3 级接线方法安装，符合 NFPA 70 美国国家电气法规 (2002) 第 640 条。

适用于符合 NFPA 70 美国国家电气法规 (2002) 第 760 条的火灾报警电路布线方法。

NFPA 70 美国国家电气法规 (2002)，第 300-22(c) 条。

NFPA 90-A (2002)，空调和通风系统的安装，第 4.3.10.2.6.5 节。

EMC 指令 89/336/EEC 和指令第 10 (1) 条，EN50081-1 和 EN50082-1 由 CE 标志表示。

FreeSpace FS2P 扬声器是根据以下有关组合系统的欧洲监管规范中规定的要求进行设计的：

英国标准实践规范 BS 5839，第 8 部分，与陶瓷端子和热熔断器套件配套使用。

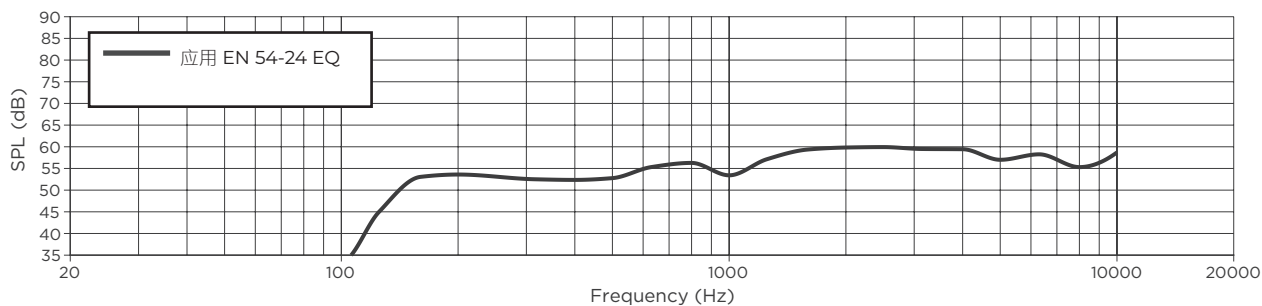
经测试符合 IEC60268-5。

| EN 54-24 认证等级 ¹ | | | | | | |
|----------------------------|-----------------|-------------|-------------|-------------|-----------|------------|
| 频率范围 | 100 Hz 至 10 kHz | | | | | |
| 灵敏度 (1 W @ 4 m) | 70.3 dB | | | | | |
| 测量的最大值 SPL @ 4 m | 79.5 dB | | | | | |
| 覆盖角度倍频程带 (Hz) | 500 | 1000 | 2000 | 4000 | | |
| 水平覆盖 | 360° | 190° | 120° | 123° | | |
| 垂直覆盖 | 360° | 190° | 115° | 120° | | |
| 额定阻抗 | | 1W | 2W | 4W | 8W | 16W |
| | 70V | 4900 Ω | 2450 Ω | 1225 Ω | 613 Ω | 306 Ω |
| | 100V | — | 5000 Ω | 2500 Ω | 1250 Ω | 625 Ω |
| 被动额定阻抗 | 16 Ω | | | | | |
| 额定噪声功率 | 16W | | | | | |
| EN 54-24 均衡 | 类型 | 频率 | 增益 | Q 值 | 频宽 | |
| | PEQ | 10900 Hz | -12 dB | 10 | 0.144 | |

脚注

1. 规格数据在消音室、自由场中测得。参考面位于网罩表面，与参考轴垂直。参考轴与网罩表面的中心垂直。水平面包含参考轴并与参考面垂直。

轴上频率响应

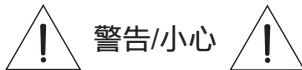


請閱讀並保管好所有安全和使用指示。

本產品僅限由專業安裝人員安裝！本文件包含本產品採一般固定式安裝系統時的相關基本安裝資訊與安全基準，以供專業安裝人員參考。在嘗試進行安裝以前，請先閱讀本文件與所有安全警告。

請勿自行維修本產品。如需任何維修服務，請洽授權服務中心、安裝人員、技術人員、經銷商或分銷商。若要聯絡 Bose Professional 或尋找附近的經銷商或分銷商，請造訪 boseprofessional.com。

1. 閱讀這些指示。
2. 保留這些指示。
3. 注意所有警告。
4. 遵守所有指示。
5. 請勿在水邊使用此裝置。
6. 只能用乾布清潔。
7. 請勿堵塞任何通風口。請按照製造商的指示安裝。
8. 請勿在熱源附近安裝，如暖氣片、熱調節裝置、火爐或可發熱的其他裝置（包括擴大機）。
9. 只能使用製造商指定的附件/配件。



警告/小心



本產品含有磁性材料。請諮詢醫生以瞭解這是否會影響您的植入式醫療設備。



包含可能導致窒息危險的小部件。不適合 3 歲以下的兒童使用。

- 本產品僅供室內使用。
- 所有 Bose Professional 產品的安裝必須遵守當地、州、聯邦和行業規範。安裝人員有責任確保揚聲器和安裝系統的裝設均符合適用的法規，包括當地的建築法規和規定。安裝本產品前，請諮詢擁有司法權的當地政府機關。
- 以不安全的方式安裝或高處懸吊任何重物都可能導致嚴重的人身傷害或死亡，以及財產損失。安裝人員須負責評估其應用情形中所採用之任何安裝方式是否穩定可靠。只有具備適當五金部件知識與安全安裝技術的專業安裝人員，才可嘗試安裝任何高處懸吊揚聲器。
- 請勿將本產品安裝於可能接觸水或結露的位置。
- 本產品不得受液體淋濺或噴灑，請勿將裝有液體的物體（例如花瓶）置於本產品上或本產品附近。
- 本產品並不適合安裝或用於室內有水設施區域（包括但不限於：室內泳池、室內戲水區、熱水浴池、桑拿、蒸氣室與室內溜冰場等）。
- 請勿安裝在不穩定或有潛在危險的表面，比如佈線或鋪設管道的地方。請務必由合格的專業安裝人員遵照當地的建築法規安裝支架。
- 僅限使用 Bose Professional 隨附或指定用於 FreeSpace FS2P 揚聲器的五金部件與配件。如需相容配件的相關資訊，請參閱 boseprofessional.com 上的產品技術資料表。
- 使產品遠離火源和熱源。請勿將明火火源（例如點燃的蠟燭）置於本產品上或本產品附近。
- 未經授權請勿擅自改裝本產品。
- 請勿使揚聲器或安裝組件接觸任何非由 Bose Professional 指定的化學物質，包括但不限於潤滑劑、清潔劑、觸點噴劑或碳氫溶劑。接觸該等物質會使塑膠材質劣化，進而導致破裂並產生墜落危險。
- 請僅使用乾布來清潔揚聲器。請勿使揚聲器接觸肥皂、去污劑、礦物油、酒精或其他清潔劑或化學品。

纜線特定警告：

- 纜線並不適合安裝或用於室內有水設施區域（包括但不限於：室內泳池、室內戲水區、熱水浴池、三溫暖、蒸氣室與室內溜冰場等）。
- 請勿用於諸如起重機或滑輪組等升降裝置，或用於具有運動或動態行為的懸掛裝置。僅限用於吊裝靜態揚聲器。
- 請勿於纜線裝置上踩踏或站立。
- 請勿為纜線結線器或纜線組件的其他任何部件上漆。
- 若使用非 Bose Professional 原廠的纜線系統，則工作負載限制必須等於或大於原廠提供的纜線系統。
- 請勿為纜線結線器或纜線組件的其他任何部件上油或使用其他任何潤滑劑。
- 請切勿將兩條纜線接合在一起。每個揚聲器吊掛點只能使用一個纜線組件。
- 吊裝懸吊纜線只能搭配 Bose Professional 吊裝式揚聲器使用。

產品額定值：

輸入電壓：70V/100V

阻抗：16 Ω, 16 W

電流或功率：(70V)：1W、2W、4W、8W、16W；(100V)：2W、4W、8W、16W

法規資訊



本產品符合所有適用的歐盟指令要求。符合聲明全文載於：
BoseProfessional.com。



本產品符合所有適用的 2016 電磁相容性法規和所有其他適用的英國法規。您可以從以下位置找到完整的符合聲明：
BoseProfessional.com



此符號表示本產品不得以家庭廢棄物方式丟棄，而應將其送到合適的收集設施進行回收。妥善處理及回收有助於保護天然資源、人類健康和環境。如欲獲得有關處理和回收本產品的更多資訊，請聯絡當地政府機關、廢棄物處理服務或您購買本產品的商家。

台灣 BSMI 限用物質含有情況標示

| 設備名稱：揚聲器 | | 型號：841153 | | | | |
|------------|--------|-----------|--------|------------|------------|--------------|
| 限制物質及其化學符號 | | | | | | |
| 裝置 | 鉛 (Pb) | 汞 (Hg) | 鎘 (Cd) | 六價鉻 (Cr+6) | 多溴聯苯 (PBB) | 多溴聯苯醚 (PBDE) |
| 印刷電路板 | - | ○ | ○ | ○ | ○ | ○ |
| 金屬零件 | - | ○ | ○ | ○ | ○ | ○ |
| 塑膠零件 | ○ | ○ | ○ | ○ | ○ | ○ |
| 揚聲器 | - | ○ | ○ | ○ | ○ | ○ |
| 連接線 | - | ○ | ○ | ○ | ○ | ○ |

備註 1：「○」表示限制物質的濃度百分比含量未超過參考值。
備註 2：「-」表示限制物質屬於豁免項目範圍。

製造日期：序號第八位數代表製造年份；「7」代表 2007 或 2017。

歐盟進口商：Transom Post Netherlands B.V., Keizersgracht 391A, 1016 EJ, Amsterdam | 英國進口商：Transom Post Netherlands UK, Squires House 205a High Street, West Wickham, BR4 0PH | 日本進口商：Transom Post International Japan KK Co., Ltd. PMO Tamachi IV Shiba5-29-19, Minato-ku, Tokyo | 澳洲進口商：Transom Post Australia Pty. Ltd., Level 14, 60 Margaret Street, Sydney, NSW 2000 | 中國進口商：Transom Post (Shanghai) Audio Co. Ltd Room 2209, Building 1, 175 Longyao Road, Xuhui District, Shanghai | 墨西哥進口商：POST INTL MEXICO, S. DE R.L. DE C.V. Insurgentes Sur No. 1079, 1st floor, Colonia Noche Buena, Benito Juárez, C.P. 03270, Mexico City | 阿拉伯聯合大公國進口商：102 A, Sama Tower Sheikh Zayed Road, Dubai UAE

Bose 為 Bose Corporation 的商標。

FreeSpace 為 Transom Post OpCo LLC 的商標。

Bose Professional, 117 South St, Hopkinton, MA 01748 USA

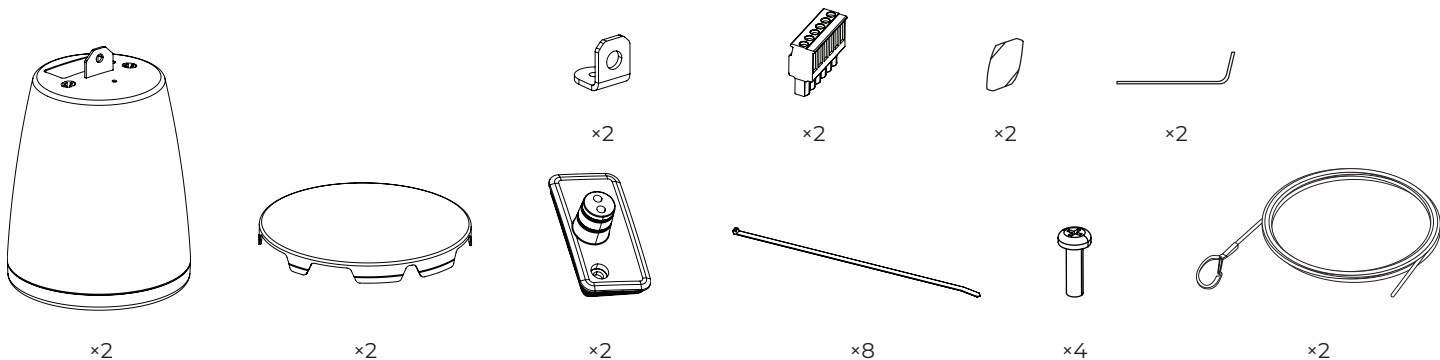
©2024 Transom Post OpCo LLC。未經事先書面許可，不得複製、修改、散佈或以其他方式使用本資料的任何部分。

保固資訊

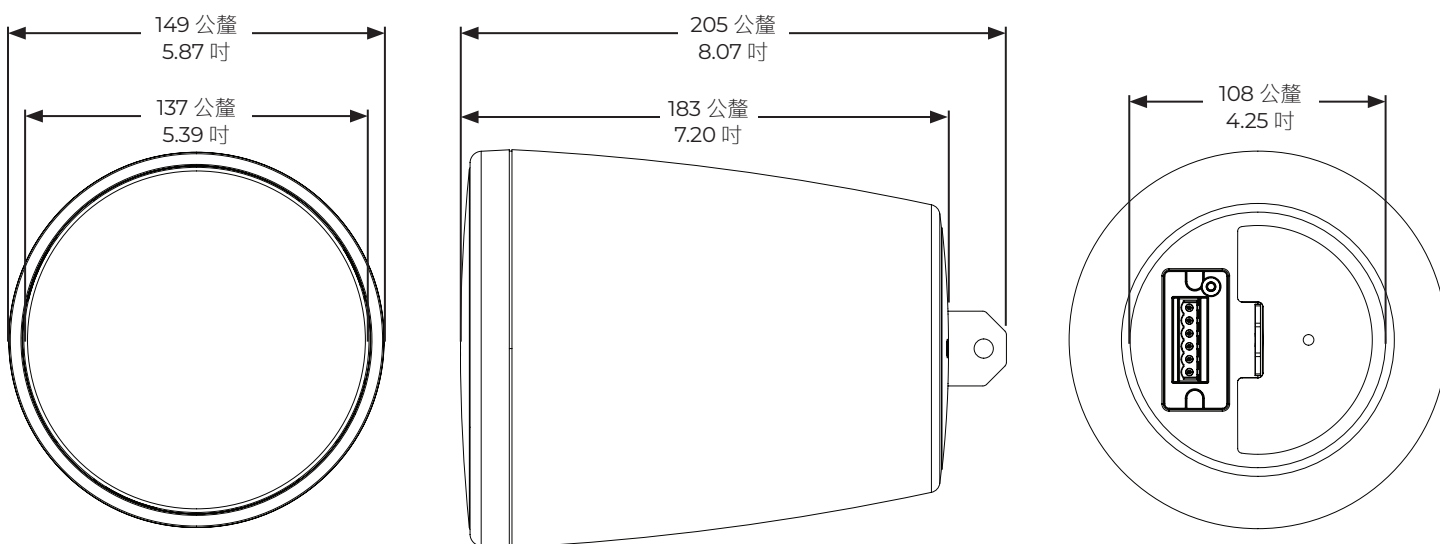
此產品享有有限保固。

如需保固詳細資料，請造訪 boseprofessional.com。

包裝內容物



產品尺寸



技術規格

如需其他規格資訊，請參閱 boseprofessional.com 上的 FreeSpace FS2P 技術資料表。

| | |
|----------------------------|-----------------------|
| 外觀 | |
| 產品尺寸 | 網罩直徑: 137 公釐 (5.39 吋) |
| | 外殼直徑: 149 公釐 (5.87 吋) |
| | 深度: 205 公釐 (8.07 吋) |
| 連接線尺寸 | 長度: 4.57 公尺 (15.00 呎) |
| | 直徑: 2 公釐 (0.08 吋) |
| 負載上限 (安全工作負載) ¹ | 45.36 公斤 (100.0 磅) |
| 淨重, 揚聲器加網罩 (單件) | 1.47 公斤 (3.25 磅) |
| 裝運重量 (成對) | 4.06 公斤 (8.95 磅) |
| 環境 | 僅適用室內 |

1. 請永遠在規定的安全工作負載範圍內使用纜線。產品隨附的懸吊纜線之安全工作負載為 100 磅。

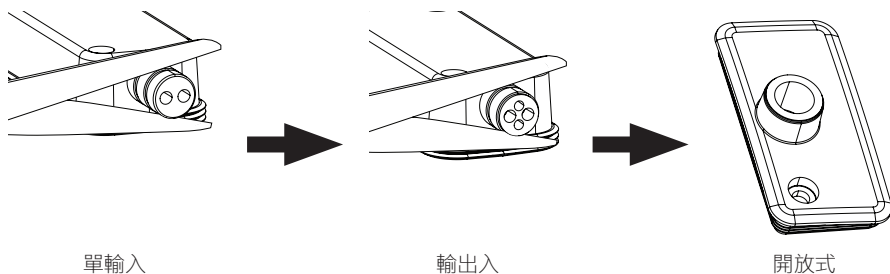
重要安裝資訊



安裝揚聲器之前，請先閱讀第 47 頁的「重要安全指示」。



火災與疏散警報應用符合 EN 54-24 認證 IP21C 環境等級。



單輸入

輸出入

開放式

防風雨輸入端子外蓋安裝前處理

防風雨輸入端子外蓋設計適用三種不同配線情況 (如上圖)。若要變更輸入端子外蓋配置符合您的配線需求，請沿著橡膠導管鏤空處裁剪。

備註： 純室內安裝時，無需使用輸入端子外蓋。

備註： 若使用開放式橡膠導管配置，則安裝人員須負責將導管密封，以防止水進入 Euroblock 連接端子。

揚聲器接線

線規

FreeSpace FS2P 揚聲器的設計僅可使用 18 AWG (0.8 mm²) 至 14 AWG (2.1 mm²) 的線材。

接線圖

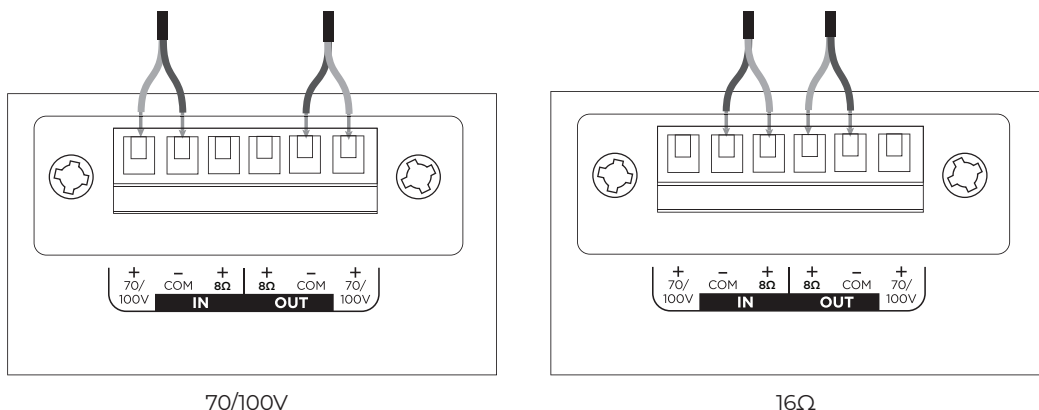
露出六公釐 (1/4 吋) 的裸線，以連接至端子。

備註： 本揚聲器不適用硬式導管。本揚聲器僅適用軟性導管或配線連接。

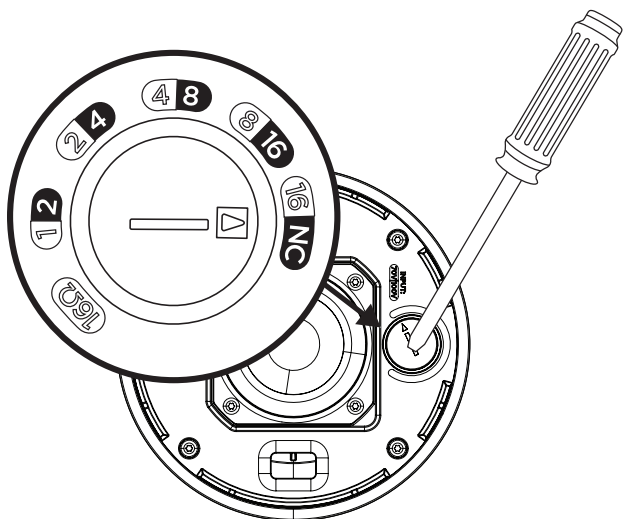
備註： 配線方式必須遵照：

於加拿大：《Canadian Electrical Code》(加拿大電氣規程) 第一部分 CSA C22.1, 「電氣安裝安全標準」第 32 條；

於美國：《National Electric Code》(美國國家電氣規程), NFPA 70



揚聲器設定



| | | | | | |
|-------------|----|----|-----|------|------------|
| 70V | | | | | 16Ω |
| 1W | 2W | 4W | 8W | 16W* | |
| 2W | 4W | 8W | 16W | NC** | |
| 100V | | | | | |

* 原廠預設

** NC: 無連線 (請勿使用)

變壓器抽頭設定

轉動以設定抽頭功率。請使用平頭螺絲起子。

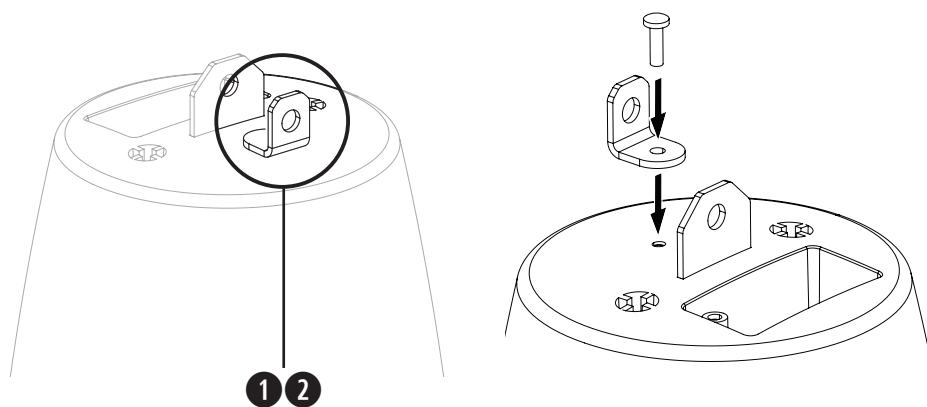
安裝準備

使用安全纜線

部分地區的建築法規要求使用輔助方式固定揚聲器以增強結構支撐力，加強安全性。請遵守當地的建築法規和規定，選擇合適的安裝位置、方式和五金部件。

Bose Professional 建議使用 (1) 安全索或 (2) 安全纜索來作為輔助固定機制 (未隨附)。請參見右圖，瞭解安全安裝點。

請遵守製造商的指示來施作任何輔助固定機制。

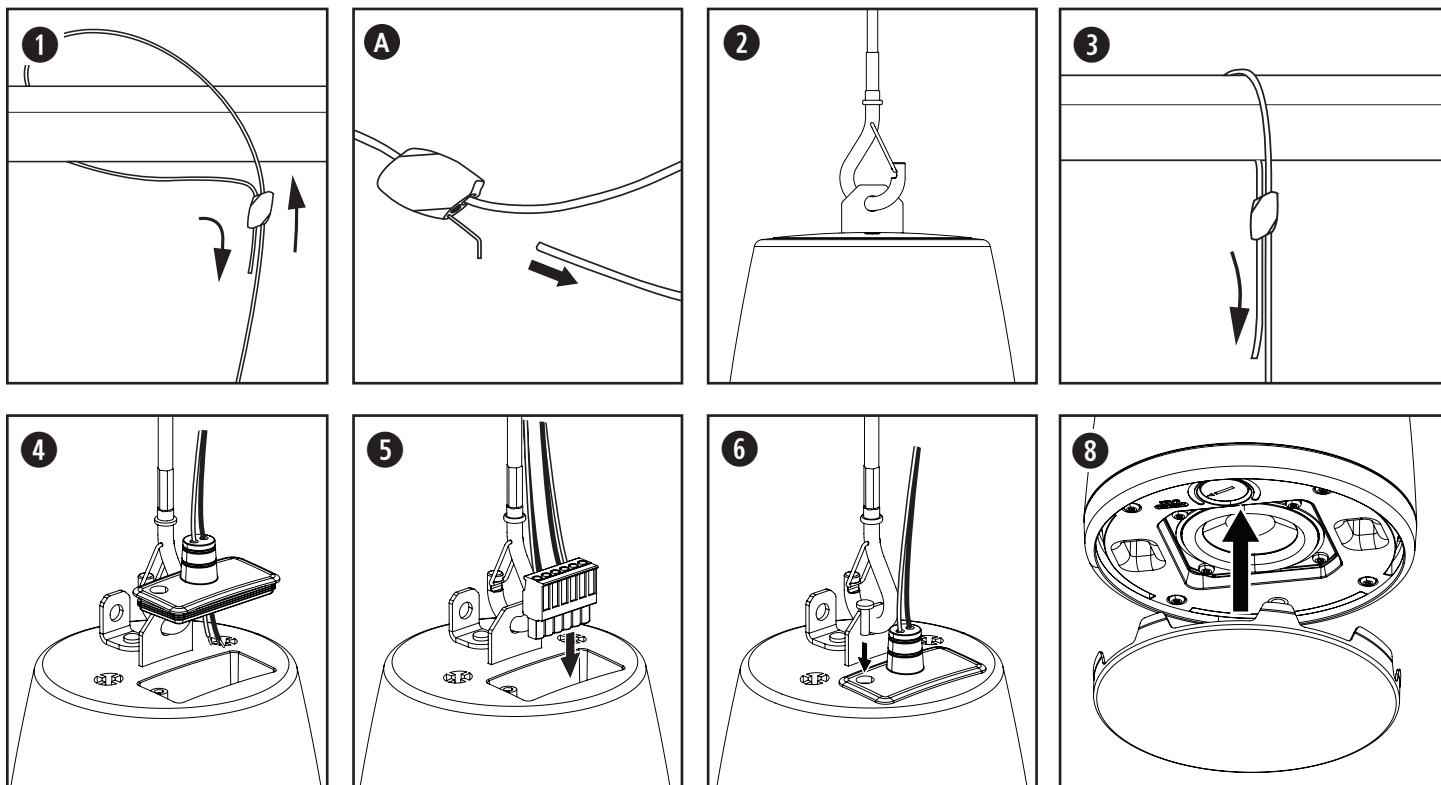


安裝揚聲器

- 將隨附的懸吊纜線插入纜線結線器之中，然後將纜線繞過支撐結構；接著，使用纜線結線器固定纜線。備註：纜線結線器上有箭頭指示纜線方向。
A. 若要鬆開纜線，請將結線器工具插入釋放孔內，並調整纜線。
- 將纜線夾固定於揚聲器懸吊纜線的安裝點。
- 拉動懸吊纜線鬆弛的一端，將揚聲器調整至所需的高度。將揚聲器調整至所需的高度之後，請裁除多餘的纜線。備註：裁切為一定的長度之後，請使用剪線器修剪所有磨損的電線絲。
- 將揚聲器的接線插入輸入端子外蓋的橡膠導管中 (請參閱第 49 頁的「輸入端子外蓋準備工作」)。
- 將線路連接至連接端子，然後將連接端子插入揚聲器。如需瞭解配線資訊，請參見第 49 頁「揚聲器接線」。
- 請將輸入端子外蓋覆蓋於輸入端子，並牢牢壓於揚聲器以形成密封。使用輸入端子外蓋螺絲來固定輸入端子外蓋。
- 使用隨附的纜線束帶，將接線固定於懸吊纜線。

備註：安裝網罩之前，請先將揚聲器功率抽頭的設定調整為適合安裝的設定。請參閱第 49 頁的「揚聲器設定」。

- 將網罩與揚聲器外殼的內側相互對準，使最小的兩個網罩插片分別位於兩側的插片開關。將揚聲器的網罩推入定位。您可以視情況需要，向內推入網罩插片，使其確實卡入揚聲器外殼中。



取下網罩

在網罩邊緣的網罩孔隙中插入一支小型工具 (直徑小於 1.5 公釐)，然後拉動以鬆開網罩。



注意：請勿使用螺絲起子從外殼撬開網罩。這可能會使揚聲器受損。

安全與規章遵循

FreeSpace FS2P 揚聲器通過測試，符合下列規格及用途：

列為 ANSI/UL 1480A-2016, 適合商業及安全專業用途的揚聲器

一般用途 – UL Category UEAY, 案號 S36835。
適合於室內乾燥之處使用。

EN 54-24: 2008, 可用於火災偵測語音警報系統與建築物火災警報系統之揚聲器

環境類型：A (室內應用)

根據 NFPA 70 2002 年《National Electric Code》(美國國家電氣規程) 第 640 條，適合使用 Class 1、Class 2 或 Class 3 配線方式安裝。

適用於符合 NFPA 70 2002 年《National Electric Code》(美國國家電氣規程) 第 760 條之火災警報器電路配線方法。

NFPA 70, 2002 年, 《National Electric Code》(美國國家電氣規程) 第 300-22 (c) 條。

NFPA 90-A, 2002 年, 《Installation of Air Conditioning and Ventilation Systems》(空調與排氣系統安裝), 第 4.3.10.2.6.5 項。

EMC 指令 89/336/EEC 與指令第 10 (1) 條, EN50081-1 與 EN50082-1 (如 CE 標誌所示)。

FreeSpace FS2P 揚聲器的設計符合下列歐洲組合系統法規所定義之要求：

《British Standard Code of Practice》(英國標準應用規範) 第 8 部分, BS 5839 (搭配陶瓷接線盤與溫度保險絲使用時)。

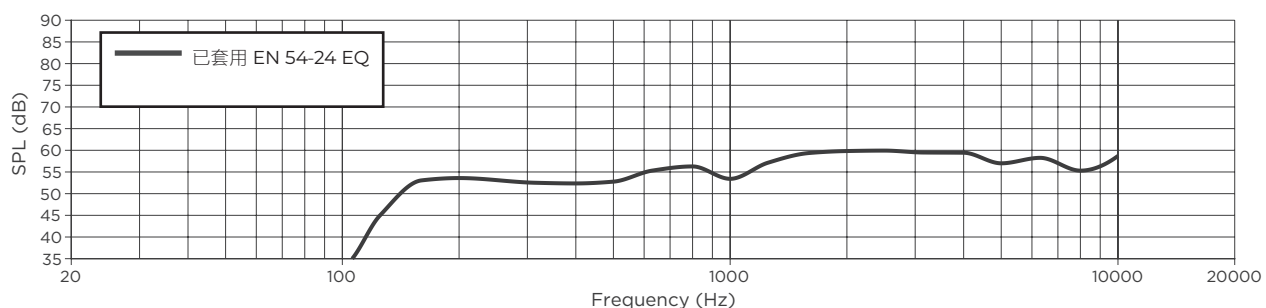
經測試符合 IEC60268-5。

| EN 54-24 認證等級 ¹ | | | | | |
|----------------------------|-----------------|-------------|-------------|-------------|----------------------|
| 頻段 | 100 Hz 至 10 kHz | | | | |
| 靈敏度 (1W @ 4 公尺) | 70.3 dB | | | | |
| 測得的最大聲壓級 @ 4 公尺 | 79.5 dB | | | | |
| 覆蓋角度倍頻程頻段 (Hz) | 500 | 1000 | 2000 | 4000 | |
| 水平覆蓋範圍 | 360° | 190° | 120° | 123° | |
| 垂直覆蓋範圍 | 360° | 190° | 115° | 120° | |
| 額定阻抗 | | 1W | 2W | 4W | 8W 16W |
| | 70V | 4900 Ω | 2450 Ω | 1225 Ω | 613 Ω 306 Ω |
| | 100V | — | 5000 Ω | 2500 Ω | 1250 Ω 625 Ω |
| 被動式額定阻抗 | 16 Ω | | | | |
| 額定噪音功率 | 16W | | | | |
| EN 54-24 均衡 | 類型 | 頻率 | 增益 | Q 值 | 頻寬 |
| | 參數型 EQ | 10900 Hz | -12 dB | 10 | 0.144 |

註釋

1. 規格資料是在全空間 free-field 隔音室中所測得。參考面位於網罩表面，且垂直於參考軸線。參考軸線垂直於網罩表面的中心。水平面包含參考軸線，且垂直於參考面。

軸線上頻率響應



安全上の留意項目および使用方法をよく読み、いつでも参照できるように保管してください。

本製品は、専門の施工業者による設置のみを想定した製品です。本書は、一般的な固定設置システムにおける本製品の、基本的な設置と安全上のガイドラインを施工業者様に提供します。設置する前に、本書とすべての安全に関する警告をお読みください。

ご自身で製品を修理しないでください。修理が必要な際には、正規サービスセンター、ボーズ認定の施工業者、技術者、ディーラーまたはディストリビューターにお問い合わせください。Bose Professionalに連絡する、またはお近くのディーラーまたはディストリビューターを検索するには、boseprofessional.comにアクセスしてください。

1. このガイドをよくお読みください。
2. 必要な時にご覧になれるよう、本書を保管してください。
3. すべての注意事項に留意してください。
4. すべての指示に従ってください。
5. この製品を水の近くで使用しないでください。
6. 清掃の際は乾いた布を使用してください。
7. 通気孔は塞がないでください。製造元の指示に従って設置してください。
8. ラジエータ、暖房送風口、ストーブ、その他の熱を発生する装置(アンプを含む)の近くには設置しないでください。
9. 必ず製造元より指定された付属品、あるいはアクセサリのみをご使用ください。


仕様:

入力電圧: 70V/100V

インピーダンス: 16 Ω, 16 W

電流またはパワー: (70V): 1W, 2W, 4W, 8W, 16W, (100V): 2W, 4W, 8W, 16W

規制に関する情報

 This product conforms to all applicable EU directive requirements. The complete declaration of conformity can be found at: BoseProfessional.com.



この製品は、すべての適用される電磁両立規則2016およびその他すべての適用される英国の規制に準拠しています。完全な適合宣言書については、次のサイトを参照してください。

BoseProfessional.com



This symbol means the product must not be discarded as household waste, and should be delivered to an appropriate collection facility for recycling. Proper disposal and recycling helps protect natural resources, human health and the environment. For more information on disposal and recycling of this product, contact your local municipality, disposal service, or the shop where you bought this product.

製造日: シリアル番号の8桁目の数字は製造年を表します。「7」は2007年または2017年です。

EUにおける輸入元: Transom Post Netherlands B.V., Keizersgracht 391A, 1016 EJ, Amsterdam | 英国における輸入元: Transom Post Netherlands UK, Squires House 205a High Street, West Wickham, BR4 0PH | 日本における輸入元: Transom Post International Japan KK Co., Ltd. 東京都港区芝5-29-19 PMO田町IV | オーストラリアにおける輸入元: Transom Post Australia Pty. Ltd., Level 14, 60 Margaret Street, Sydney, NSW 2000 | 中国における輸入元: Transom Post (Shanghai) Audio Co. Ltd Room 2209, Building 1, 175 Longyao Road, Xuhui District, Shanghai | メキシコにおける輸入元: POST INTL MEXICO, S. DE R.L. DE C.V. Insurgentes Sur No. 1079, 1st floor, Colonia Noche Buena, Benito Juárez, C.P. 03270, Mexico City | UAEにおける輸入元: 102 A, Sama Tower Sheikh Zayed Road, Dubai UAE

Bose は Bose Corporation の商標です。

FreeSpace は Transom Post OpCo LLC の商標です。

Bose Professional, 117 South St, Hopkinton, MA 01748 USA

©2024 Transom Post OpCo LLC. 本書のいかなる部分も、書面による事前の許可のない複写、変更、配布、その他の使用は許可されません。

保証情報

保証の内容および条件につきましては、付属の保証書をご覧ください。保証の詳細については、boseprofessional.comをご覧ください。



警告/注意



この製品には磁性材料が含まれています。体内に埋め込まれている医療機器への影響については、医師にご相談ください。



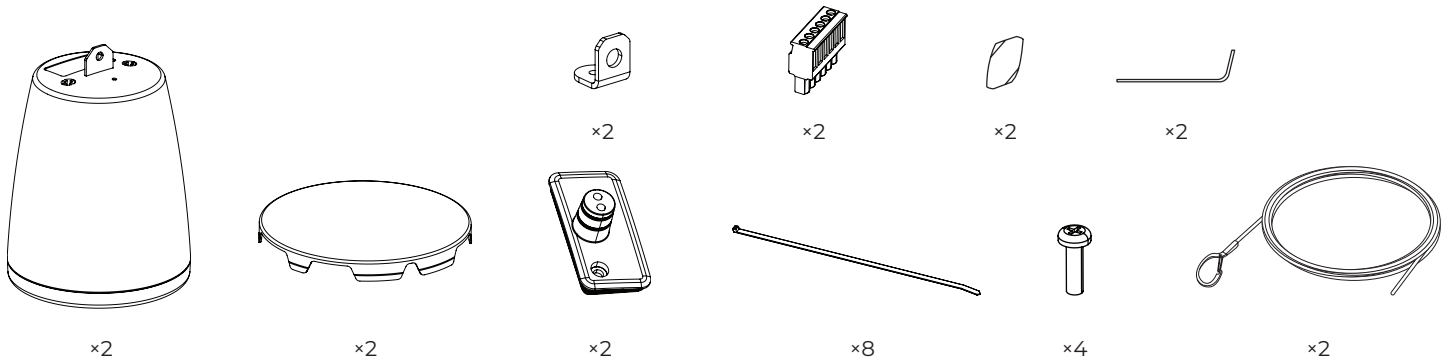
のどに詰まりやすい小さな部品が含まれています。3歳未満のお子様には適していません。

- この製品は屋内専用です。
- ボーズ製品を設置する際は、必ず地域と業界指導の安全基準に従ってください。各地域の建築に関する条例や規制など、適用される全ての法律に従って本製品およびその取付金具を設置することは施工業者の責任です。本製品を設置する前に、各地域の管轄官庁に相談してください。
- 重量物の不安定な設置や頭上吊り下げは、重傷または死亡、および設備機器等への損傷の原因となる可能性があります。適用する設置方法の信頼性を評価することは、施工業者の責任です。適切な部品および安全な設置技術の知識を持つ専門の施工業者のみが、天井へのスピーカーの設置を行うことができます。
- 結露や水に晒される場所に本体を設置しないでください。
- 水漏れやしびれがかかるような場所でこの製品を使用しないでください。また、花瓶などの液体が入った物品を製品の上や近くに置かないでください。
- この製品は屋内の水を使用するエリア(屋内プール、屋内ウォータerpark、浴室、サウナ、スチームサウナ、屋内スケートリンクなど)での設置または使用を意図していません。
- 設置面の強度が不十分な場合や、設置面の裏側に電線や配管などが隠れている場合は、本製品を設置しないでください。各地域の建築に関する条例に従って、認定された専門業者によりブラケットが取り付けられていることを確認してください。
- FreeSpace FS2Pには、本体付属またはボーズ指定の取り付け部品およびアクセサリのみをご使用ください。使用可能なアクセサリの詳細については、boseprofessional.comに用意されている本製品のテクニカルデータシートを参照してください。
- 火気や熱源などの近くで使用しないでください。火の付いたろうそくなどの火気を、製品の上や近くに置かないでください。
- 許可なく製品を改造しないでください。
- スピーカーや取り付けコンポーネントを、潤滑剤、洗浄剤、接点復活剤、および炭化水素を基剤とする溶剤などを含む、ボーズ指定外の化学物質にさらさないでください。製品がこうした物質に触れると、プラスチック素材の劣化につながり、ひび割れが生じて落下事故を招くおそれがあります。
- スピーカーの汚れ落としには、必ず乾いた布をお使いください。スピーカーを石けん、洗剤、鉱油、アルコールなどの洗浄剤、化学物質に触れる可能性がある場所で使用しないでください。

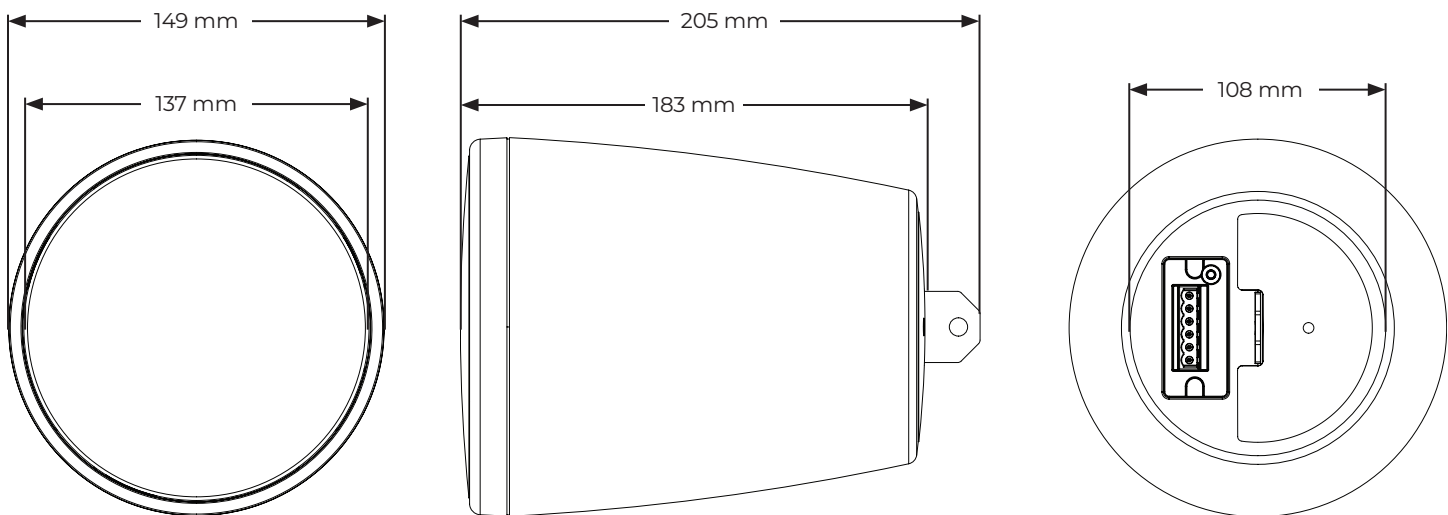
ケーブルに関する注意事項:

- 水を使用する屋内エリア(屋内プール、屋内ウォータerpark、浴室、サウナ、スチームサウナ、屋内スケートリンクなど)でケーブルを設置または使用しないでください。
- クレーンや滑車などでの吊り上げ、または移動や動的な挙動を含む吊り下げ設置には使用しないでください。固定されたスピーカーの吊り下げのみで使用してください。
- 設置されたケーブルの上を歩いたり、立ったりしないでください。
- ケーブル留め具またはその他のケーブル組立部品に塗装を施さないでください。
- ボーズ製品以外のケーブルシステムを使用する場合、同梱のケーブルシステムと同等またはそれ以上の荷重制限が要求されます。
- ケーブル留め具またはその他のケーブル組立品に、油やその他の潤滑油を塗らないでください。
- 2本のケーブルを接合しないでください。スピーカーのハンクポイントごとに、ケーブル組立品を1つ使用してください。
- ボーズの吊り下げスピーカーには吊り下げサスペンションケーブルのみを使用してください。

パッケージ内容



製品寸法



技術仕様

詳細な仕様は、boseprofessional.comに用意されている、FreeSpace FS2Pのテクニカルデータシートを参照してください (AM857610 Rev. 01)。

| 物理的仕様 | |
|-------------------------|---|
| 製品寸法 | グリル直径: 137 mm エンクロージャーの直径: 149 mm 奥行き: 205 mm |
| ケーブルの寸法 | 長さ: 4.57 m 直径: 2 mm |
| 最大荷重(定格荷重) ¹ | 45.36 kg |
| 質量(スピーカーとグリル、単体) | 1.47 kg |
| 梱包質量(ペア) | 4.06 kg |
| 使用環境 | 屋内専用 |

1. ケーブルは、必ず定められた定格荷重内で使用してください。付属のサスペンションケーブルの定格荷重は約45kgです。

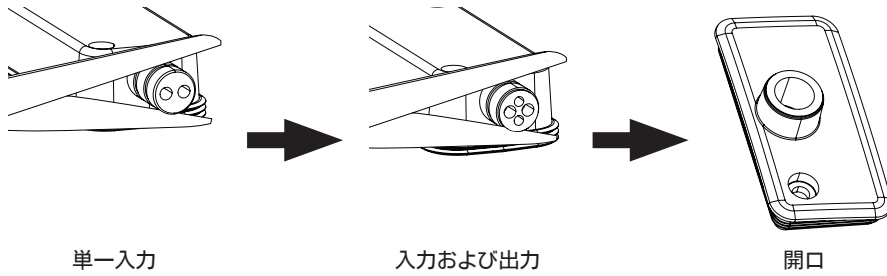
設置に関する重要な情報



スピーカーを設置する前に、52ページの安全上の重要な注意事項をご確認ください。



火災および避難誘導の基準は、EN 54-24に準拠し、IP21Cの環境耐候性に対応しています。



耐候入力カバーを準備する

耐候入力カバーは、上記の3つの各配線パターンに対応するように設計されています。お使いの配線パターンに合わせて入力カバーの構成を変更するには、ゴム管の点線に沿って切り取ります。

注: 屋内のみでの使用には、入力カバーは必要ありません。

注: 開口の構成のゴム管を使用する場合は、ユーロブロックコネクターへの水の侵入を防ぐために、設置者の責任で密閉してください。

スピーカーの配線

ケーブルゲージ

FreeSpace FS2Pで使用できるケーブルのゲージは、18 AWG (0.8 mm²) ~ 14 AWG (2.1 mm²)のみです。

接続図

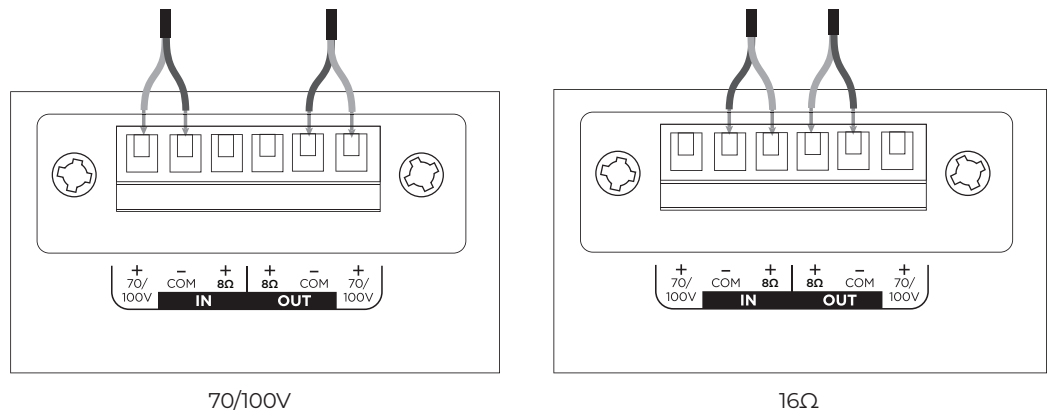
裸線を長さ6 mm (1/4インチ) 露出して端子に接続します。

注: 本スピーカーは、固定導管の使用には対応しておらず、フレキシブル導管またはケーブル接続のみに適しています。

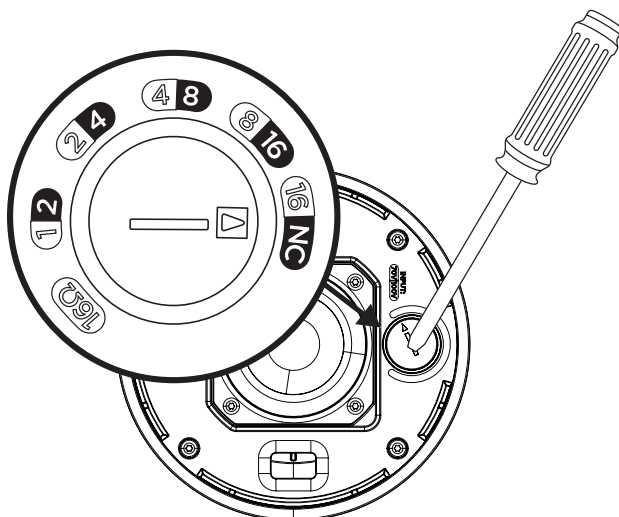
注: 配線は、以下に従って行う必要があります。

カナダ: CSA C22.1, Canadian Electrical Code, パート1, Safety Standard for Electrical Installations, セクション32

米国: The National Electrical Code, NFPA 70



スピーカーの設定



| | | | | | |
|-------------|----|----|-----|------|------------|
| 70V | | | | | 16Ω |
| 1W | 2W | 4W | 8W | 16W* | |
| 2W | 4W | 8W | 16W | NC** | |
| 100V | | | | | |

*工場出荷時設定

**NC: 未接続(使用しない)

トランスフォーマータップの設定

回転させてタップを設定します。マイナスドライバーを使用します。

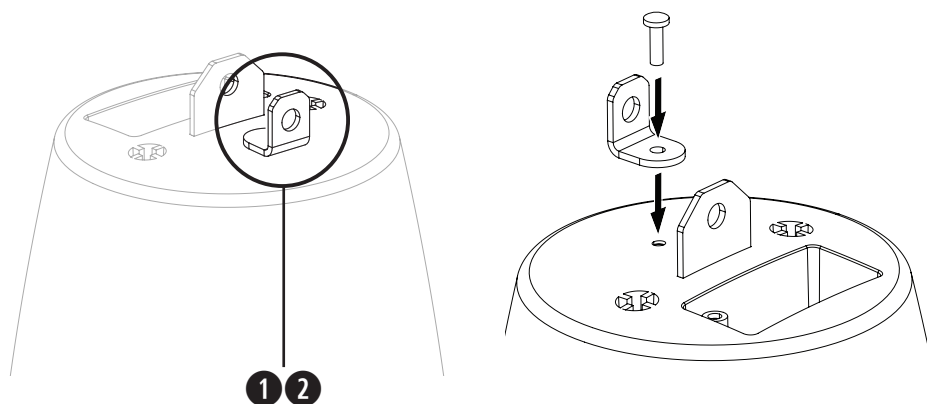
設置の準備

安全ケーブルの使用

お住まいの地域により、安全性の強化のため、スピーカーの構造物に対する固定に二次的な方法も用いることが法令により義務づけられている場合があります。適用される建築基準や規制を満たす設置場所や設置方法、器具を選択してください。

安全確保のための補助的な器具として、(1)落下防止ワイヤー、(2)安全ケーブルのいずれかの使用をお勧めします(付属していません)。安全器具の取り付けポイントについては、右の図を参照してください。

補助的な安全器具をご使用になる際は、製造元の指示に従ってください。

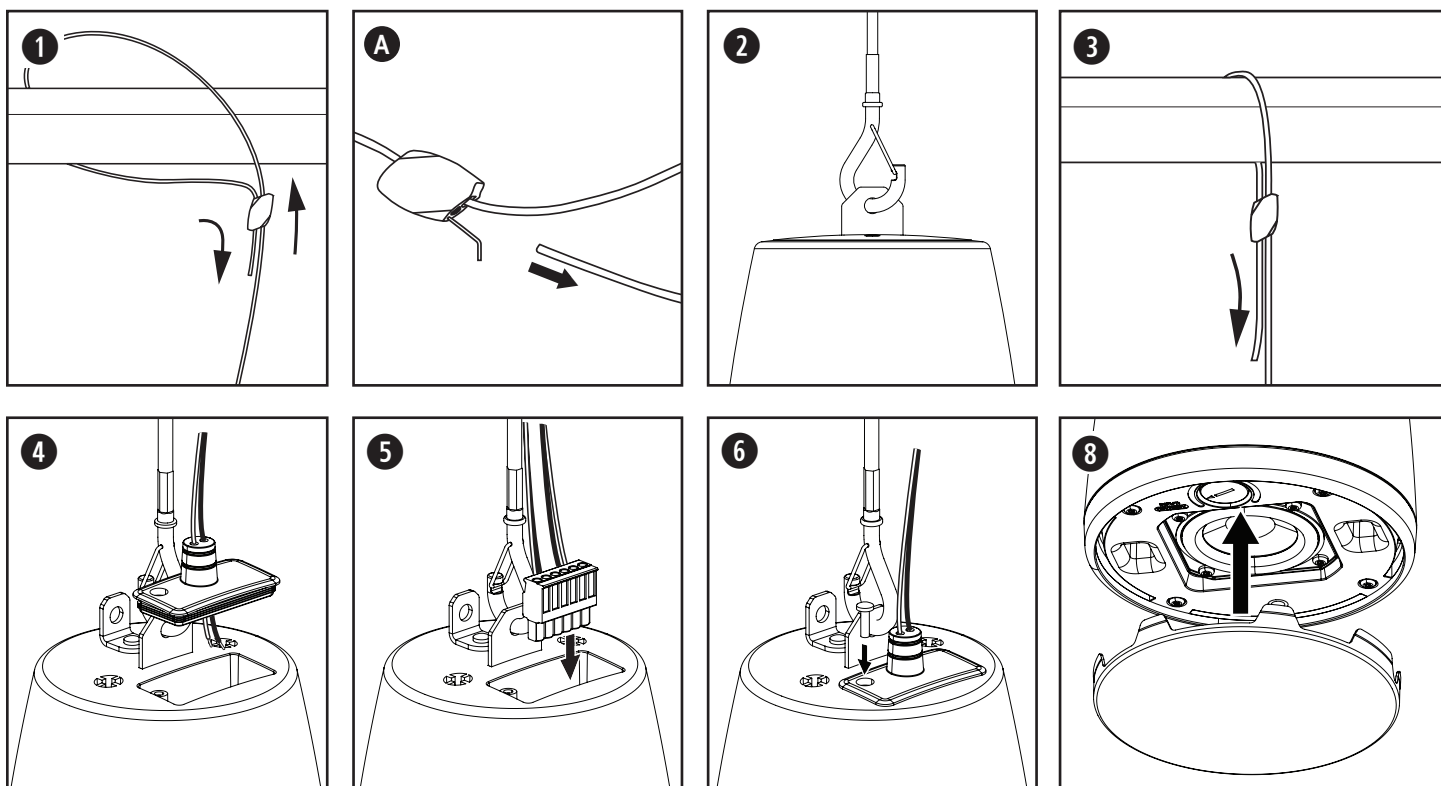


スピーカーの取り付け

- ケーブル留め具に付属のサスペンションケーブルを差し込み、支持構造にケーブルを巻き付けることで、ケーブル留め具を使用してケーブルを固定します。
注: ケーブル留め具の矢印は、ケーブルの方向を示しています。
A. ケーブルを緩めるには、留め具ツールをリリース穴に差し込んでケーブルを調整します。
- ケーブルクリップをスピーカーの吊り下げ用ケーブルの取り付けポイントに取付けます。
- 吊り下げ用ケーブルの固定されていない方の端を引っ張り、スピーカーの高さを目的の高さまで調整します。スピーカーが目的の高さに到達したら、余分なケーブルを切断します。注: 長さを調整した後、ワイヤーカッターで摩耗したフィラメントを切り落としてください。
- 入力カバーのゴム管にスピーカーの配線を挿入します(54ページの「入力カバーの準備」を参照してください)。
- 配線した端子をスピーカーに接続します。配線について詳しくは、54ページの「スピーカーの配線」を参照してください。
- 入力カバーをコネクタの上に取り付け、スピーカーに強く押し付けてしっかりと密閉します。ネジを使用して入力カバーを固定します。
- 付属のケーブル結束バンドを使用して、配線ケーブルを吊り下げ用ケーブルに固定します。

注: グリルの取り付けの前に、システムに合わせてスピーカーのタップ設定を適切な値に調整します。54ページの「スピーカーの設定」を参照してください。

- 一番小さな2つのグリルタブがタップスイッチの両側に配置されるように、グリルをスピーカーエンクロージャーの内側に合わせます。固定されるまで、グリルをスピーカーに押し込みます。必要により、グリルタブを内側に押し込んでスピーカーエンクロージャー内に適切に収めます。



グリルの取り外し

小型の工具(直径1.5ミリ以内)をグリルの端に挿入し、引いてグリルを取り外します。



注意: ドライバーを使ってグリルをエンクロージャーから無理にこじ開けないでください。スピーカーの破損につながるおそれがあります。

安全上のコンプライアンス

FreeSpace FS2Pは幅広いテストに合格しており、次の仕様と用途に準拠しています。

ANSI/UL 1480A-2016のSpeakers for Commercial & Safety Professional Useに準拠

一般用途向けの使用 – UL Category UEAY, File Number S36835。
乾燥した屋内での使用に対応しています。

EN 54-24: 2008, Loudspeaker for Voice Alarm Systems for Fire Detection and Fire Alarm Systems for Buildings

環境タイプ: A (屋内用途)

NFPA 70, 米国電気規格 (2002年, 第640条) に準拠したクラス1, クラス2, クラス3の配線による設置に対応

NFPA 70, 米国電気規格 (2002年, 第760条) に準拠した火災警報回路配線方法の使用に対応

NFPA 70, 米国電気規格, 2002年, 第300-22(c)条

NFPA 90-A, 2002年, Installation of Air Conditioning and Ventilation Systems, 第4.3.10.2.6.5節

CEマークの表示, およびEMC指令89/336/EECおよび指令の第10(1)条, EN50081-1およびEN50082-1に準拠。

FreeSpace FS2Pは、組み合わせシステム向けの以下の欧州規制仕様で規定されている要件に適合するように設計されています。

英国規格実務規則BS 5839, パート8(セラミックブロック端子および温度ヒューズを併用する場合)

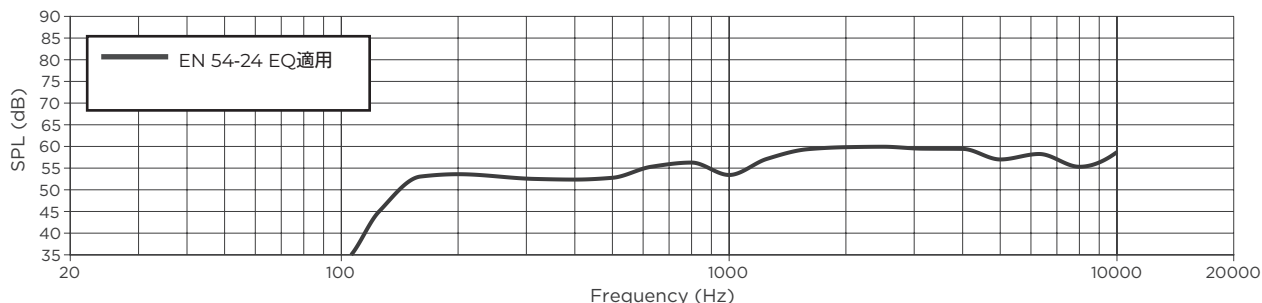
IEC60268-5のテストを実施。

| EN 54-24認定 ¹ | | | | | | |
|-------------------------|---------------|-------------|-------------|---------------|------------|------------|
| 周波数レンジ | 100 Hz~10 kHz | | | | | |
| 感度(1W @ 4 m) | 70.3 dB | | | | | |
| 最大音圧 @ 4 m | 79.5 dB | | | | | |
| カバレッジ角度のオクターブ帯域 (Hz) | 500 | 1000 | 2000 | 4000 | | |
| 水平カバレッジ | 360° | 190° | 120° | 123° | | |
| 垂直カバレッジ | 360° | 190° | 115° | 120° | | |
| 公称インピーダンス | | 1W | 2W | 4W | 8W | 16W |
| | 70V | 4900 Ω | 2450 Ω | 1225 Ω | 613 Ω | 306 Ω |
| | 100V | — | 5000 Ω | 2500 Ω | 1250 Ω | 625 Ω |
| 公称インピーダンス(パッシブ) | 16 Ω | | | | | |
| 定格ノイズ出力 | 16W | | | | | |
| EN 54-24イコライゼーション | タイプ | 周波数 | ゲイン | Qファクター | 帯域幅 | |
| | パラメトリックイコライザー | 10900 Hz | -12 dB | 10 | 0.144 | |

脚注:

- 仕様データは、無響室内の自由音場で測定されています。基準面はグリルの表面、基準軸に対して垂直に設定されています。基準軸はグリル表面の中心に対して垂直に設定されています。水平面には基準軸が含まれ、基準面に対して垂直に設定されています。

軸上周波数特性



يُرجى قراءة كل إرشادات السلامة والاستخدام والاحتفاظ بها.

هذا المنتج مصمم للتركيب بواسطة فني التركيب المتخصصين فقط! يهدف هذا المستند إلى تزويد فني التركيب المحترفين بإرشادات التركيب والسلامة الأساسية لهذا المنتج في أنظمة التركيب الثابتة النموذجية. يُرجى قراءة هذا المستند وكل تحذيرات السلامة قبل محاولة التركيب.

لا تحاول صيانة هذا الجهاز بنفسك. بل قم بحالة جميع أعمال الصيانة إلى مراكز الخدمات Bose أو متخصصي التركيب أو الفنيين أو الوكلاء أو الموزعين المعتمدين. للتواصل مع خبير من Professional

boseprofessional.com أو للعثور على وكيل أو موزع بالقرب منك، تفضل بزيارة موقع الويب

١. اقرأ هذه الإرشادات.

٢. احتفظ بهذه الإرشادات.

٣. انتبه إلى كل التحذيرات.

٤. اتبع كل الإرشادات.

٥. لا تستخدم هذا الجهاز بالقرب من الماء.

٦. لا تستخدم سوى قطعة قماش جافة لتنظيف الجهاز.

٧. لا تقم بسد أي فتحات للتهوية. ركب المنتج وفقاً لإرشادات الشركة المُصنِّعة.

٨. لا تترك المنتج بالقرب من أي مصادر للحرارة، مثل أجهزة التدفئة أو فتحات التدفئة أو المواقد أو غيرها من الأجهزة (بما في ذلك مضخّات الصوت) التي ينتج عنها حرارة.

٩. لا تستخدم سوى المرفقات والملحقات التي تحددها الشركة المُصنِّعة.

تصنيفات المنتج:

الجهد الكهربائي للخلل: ٧٠ فولت/١٠٠ فولت

المعاوقة: ١٦ أوم، ١٦ واط

التيار أو الطاقة: (٧٠ فولت): ١ واط، ٢ واط، ٤ واط، ٨ واط، ١٦ واط (١٠٠ فولت): ٢ واط، ٤ واط، ٨ واط، ١٦ واط

المعلومات التنظيمية

يتوافق هذا المنتج مع كل متطلبات توجيه الاتحاد الأوروبي المعمول بها. ويمكنك العثور على البيان الكامل للتوافق على: **BoseProfessional.com**.



يتوافق هذا المنتج مع جميع لوائح التوافق الكهرومغناطيسي المعمول بها لعام ٢٠١٦ وجميع لوائح المملكة المتحدة الأخرى المعمول بها. ويمكن العثور على إعلان المطابقة الكامل في الموقع التالي: **BoseProfessional.com**



يشير هذا الرمز إلى أنه يجب عدم التخلص من المنتج مع النفايات المنزلية ويجب تسليمه إلى منشأة مناسبة لجمع النفايات بهدف إعادة تدويره. ويساعد التخلص السليم وإعادة التدوير في حماية الموارد الطبيعية وصحة الإنسان والبيئة. للحصول على مزيد من المعلومات حول التخلص من هذا المنتج وإعادة تدويره، اتصل بالبلدية المحلية أو خدمة التخلص من النفايات أو المتجر الذي اشتريته منه هذا المنتج.



تاريخ التصنيع: يشير الرقم الثامن في الرقم التسلسلي إلى سنة التصنيع؛ حيث يشير الرقم "٧" إلى ٢٠٠٧ أو ٢٠١٧.

المستورد في أوروبا: Transom Post Netherlands B.V., Keizersgracht 391A, 1016 EJ, Amsterdam
المستورد في المملكة المتحدة: Transom Post Netherlands UK, Squires House 205a High Street, West Wickham, BR4 0PH
في اليابان: Transom Post International Japan KK Co., Ltd. PMO Tamachi IV
في أستراليا: Transom Post Australia Pty. Ltd., Level 14, 60 Margaret Street, Sydney, NSW 2000
الصين: Transom Post (Shanghai) Audio Co. Ltd Room 2209, Building 1, 175 Longyao Road, Xuhui District
POST INTL MEXICO, S. DE R.L. DE C.V. Insurgentes Sur No. 1079, 1st floor, Colonia Noche Buena, Benito Juárez, C.P. 03270
الإمارات العربية المتحدة شقة 102، برج سما، طريق الشيخ زايد، دبي، الإمارات العربية المتحدة
هي علامة تجارية لشركة Bose Corporation.

FreeSpace هي علامة تجارية لشركة Transom Post OpCo LLC
Bose Professional, 117 South St, Hopkinton, MA 01748 USA

حقوق الطباعة والنشر © للعام ٢٠٢٤ لشركة Transom Post OpCo LLC. يجب عدم استنساخ أي جزء من هذا المستند أو تعديله أو توزيعه أو حتى استخدامه بدون إذن خطي مسبق.

معلومات حول الضمان

يأتي هذا المنتج مع ضمان محدود.

boseprofessional.com للحصول على تفاصيل حول الضمان، تفضل بزيارة



تحذيرات/تنبيهات

يحتوي هذا المنتج على مادة مغناطيسية. استشر طبيبك لمعرفة ما إذا كان سيؤثر ذلك في أي أجهزة طبية مزروعة في جسمك.



يحتوي المنتج على أجزاء صغيرة قد تشكل خطر الاختناق. غير مناسب للأطفال دون ٣ سنوات.

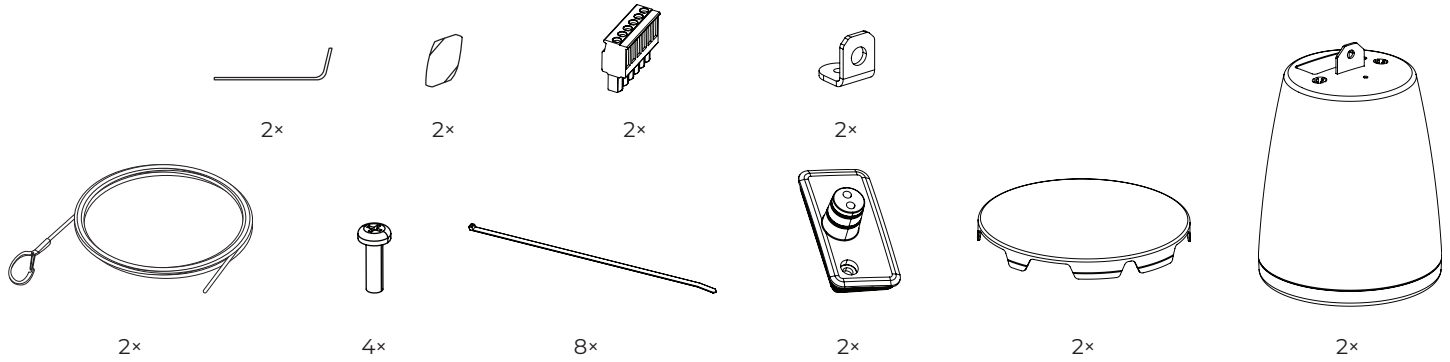


- هذا المنتج مخصص للاستخدام الداخلي فقط.
- يجب تركيب كل منتجات Bose Professional وفقاً للوائح المحلية والحكومية والفيدرالية والصناعية. يتحمل فني التركيب المتخصص مسؤولية ضمان تركيب مكبرات الصوت ونظام التثبيت بالتوافق مع كل القوانين المطبقة، بما في ذلك قوانين ولوائح البناء المحلية. يرجى مراجعة السلطات المحلية صاحبة الاختصاص قبل تركيب هذا المنتج.
- قد يتسبب التثبيت أو التعليق العلوي غير الآمن لأي حمل ثقيل بوقوع إصابات خطيرة أو الوفاة، وتلف الممتلكات. وتقع على عاتق فني التركيب مسؤولية تقييم مدى موثوقية أي طريقة تثبيت يتم استخدامها. يجب ألا يحاول تركيب أي مكبرات صوت علوية التعليق إلا فنيو التركيب المحترفون الذين يتمتعون بالمعرفة اللازمة بالمعدات المناسبة وطرق التثبيت الآمنة.
- تجنب تركيب المنتج في مواقع قد يتعرض فيها للماء أو التكاثف.
- لا تعرض هذا المنتج لظفرات السوائل المتساقطة أو المتناثرة ولا تضع أوعية ممتلئة بالسوائل، مثل أواني الزهور، على المنتج أو بالقرب منه.
- هذا المنتج غير مصمم للتركيب أو الاستخدام داخل مرافق المياه في الأماكن المغلقة (بما في ذلك، على سبيل المثال لا الحصر، حمامات السباحة الداخلية والحدايق المائية المغلقة وأحواض الاستحمام الساخنة وغرف الساونا وغرف البخار وحلبات التزلج الداخلية).
- لا تقم بالتركيب على أسطح غير قوية أو توجد خلفها مخاطر خفية، مثل الأسلاك الكهربائية أو أنابيب المياه. احرص على يقوم فني تركيب محترف ومؤهّل بتركيب الكتيبة وبما يتوافق مع قوانين البناء المحلية.
- لا تستخدم سوى المعذات والملحقات المضمنة أو المحددة من قبل Bose Professional للاستخدام مع مكبرات الصوت FreeSpace FS2P. للحصول على معلومات حول الملحقات المتوافقة، راجع ورقة البيانات الفنية الخاصة بالمنتج على **boseprofessional.com**.
- أبقِ المنتج بعيداً عن مصادر اللهب والحرارة. يجب عدم وضع أية مصادر للهب المكشوف، مثل الشموع المشتعلة، فوق المنتج أو بالقرب منه.
- لا تقم بإجراء أي تعديلات غير مصرّح بها على هذا المنتج.
- لا تعرض مكبر الصوت أو مكونات التركيب لأي مواد كيميائية غير تلك التي تحددها شركة Bose Professional، بما في ذلك على سبيل المثال لا الحصر، مواد التزيين أو مواد التنظيف أو بخاخات التلاصق، أو المذيبات القائمة على الهيدروكربون. فقد يؤدي التعرض لمواد مماثلة إلى تحلل المواد البلاستيكية، مما قد يتسبب بتصدّع المنتج في وقت مبكر وبخطر السقوط.
- لا تنظّف مكبرات الصوت إلا باستخدام قطعة قماش جافة. ولا تعرض مكبر الصوت للصابون أو المنظفات أو الزيوت المعدنية أو الكحول أو غيرها من مواد التنظيف أو المواد الكيميائية.

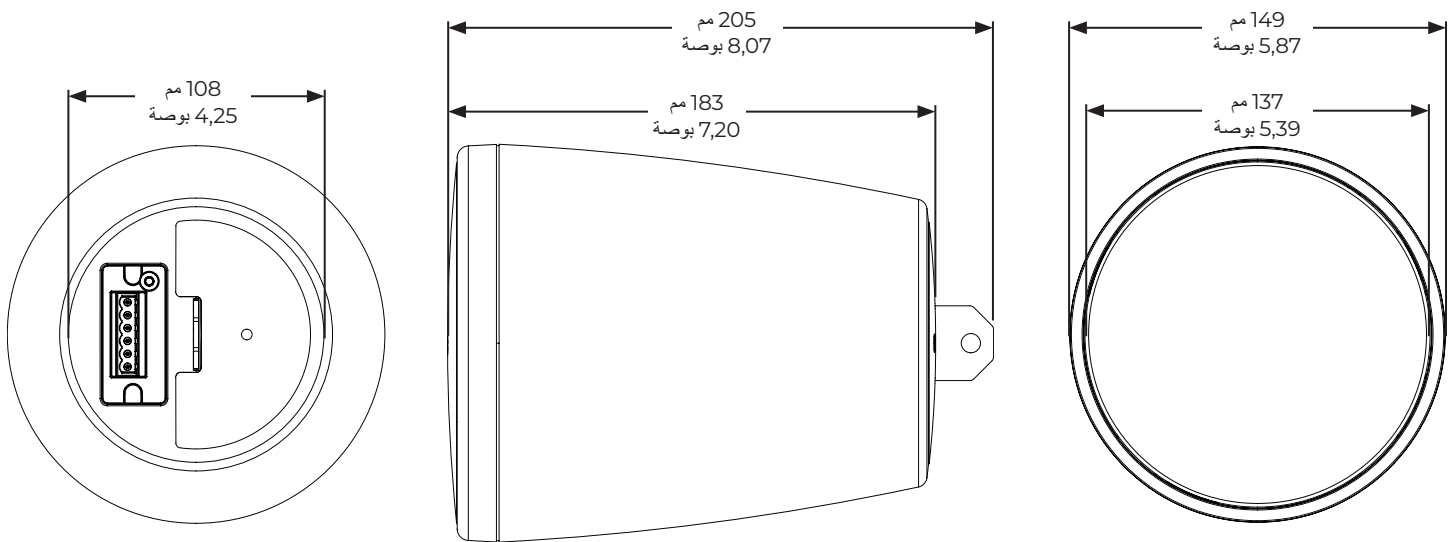
تحذيرات خاصة بالكيلات

- إن الكيل غير مصمم للتركيب أو الاستخدام في مناطق مرافق المياه المغلقة (بما في ذلك، على سبيل المثال لا الحصر، حمامات السباحة المغلقة والحدايق المائية المغلقة وأحواض الاستحمام الساخنة وغرف الساونا وغرف البخار وحلبات التزلج الداخلية).
- لا تستخدمه لرفع أغراض، مثل رافعة أو بكرة، أو لتعليق التركيبات التي تتضمن حركة أو تتميّز بسلوك ديناميكي. مصمم لتعليق مكبرات الصوت فقط.
- لا تمشي على تركيبية الكيل أو تقف عليها.
- لا تضع طلاء على مثبت الكيل أو أي جزء من مجموعة الكيل.
- في حال استخدام كيلات غير كيلات Bose Professional، يجب أن يكون حد الحمولة التشغيلية مساوياً أو أكبر من حد الحمولة للكيل المرفق.
- لا تضع الزيت أو أي زيوت تشحيم أخرى على مثبت الكيل أو أي جزء من مجموعة الكيل.
- لا تجمع كيلين سوياً على الإطلاق. لا تستخدم سوى مجموعة كيل واحدة لكل نقط تعليق في مكبر الصوت.
- لا تستخدم كيل التعليق المتدلي إلا مع مكبرات صوت متدلية من Bose Professional.

محتويات العبوة



أبعاد المنتج



معلومات هامة حول التركيب

قبل تركيب مكبر الصوت، راجع القسم إرشادات مهمة حول السلامة في الصفحة 57.



لاستخدامات إخطار الحريق والإخلاء، ببني، تصنيف IP21C بحسب EN 54-24.

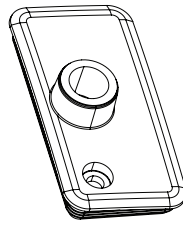


المواصفات الفنية

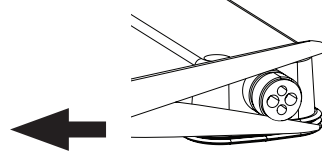
للحصول على مواصفات إضافية، راجع ورقة البيانات الفنية لمكبر الصوت FreeSpace FS2P على boseprofessional.com.

| مادي | أبعاد المنتج |
|--|--------------------------|
| قطر الحاجز الشبكي: 137 مم (بوصة 5,39) | |
| قطر العلبة: 149 مم (بوصة 5,87) | |
| العمق: 205 مم (بوصة 8,07) | |
| الطول: 4,57 م (15,00 قدمًا) | أبعاد الكبل |
| القطر: 2 مم (بوصات 0,08) | |
| الحمولة القصوى (الحمولة التشغيلية الآمنة) | 45,36 كجم (100,00 رطلاً) |
| الوزن الصافي لمكبر الصوت مع الحاجز الشبكي (فردى) | 1,47 كجم (3,25 رطلاً) |
| وزن الشحن (زوج) | 4,06 كجم (8,95 رطلاً) |
| البيئة | للاستخدام الداخلي فقط |

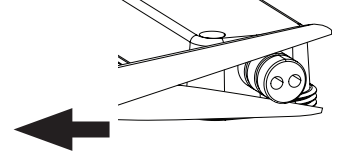
استخدم دائمًا الكبلات ضمن نطاق الحمولة التشغيلية الآمنة المنصوص عليها. يتميز كبل التعليق المضمن بحمولة تشغيلية آمنة تبلغ 100 رطل.



Wide Open



In and Out



Single In

تحضير غطاء الإدخال المقاوم لظروف الطقس

تم تصميم غطاء الإدخال المقاوم لظروف الطقس ليناسب ثلاثة سيناريوهات مختلفة لتوصيل الأسلاك (انظر أعلاه). لتغيير تكوين غطاء الإدخال لدعم سيناريو توصيل الأسلاك لديك، اقطع على طول الثقوب الموجودة على القناة المطاطية.

ملاحظة: لا تتطلب تطبيقات الاستخدام الداخلي فقط استخدام غطاء الإدخال.

ملاحظة: إذا كان يتم استخدام تكوين القناة المطاطية المفتوحة على مصراعها، فإن فني التركيب يتحمل مسؤولية الإغلاق المحكم لمنع دخول الماء إلى داخل الموصل الطرفي من النوع الأوروبي Euroblock.

توصيل أسلاك مكبر الصوت

قياس الأسلاك

تم تصميم مكبر الصوت FreeSpace FS2P للعمل بأسلاك مقاس 18 بمعياري السلك الأمريكي (0,8 مم²) إلى 14 بمعياري السلك الأمريكي (2,1 مم²) فقط.

مخططات التوصيل

اكشف ستة ملليمترات (4/8 بوصات) من السلك العاري لتوصيله بالأطراف.

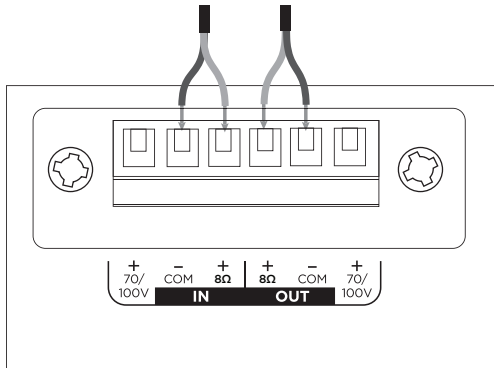
ملاحظة: مكبر الصوت ليس مخصصًا للاستخدام مع مجرى صلب، بل يناسب مكبر الصوت مجرى مرناً أو توصيلات الأسلاك فقط.

ملاحظة: يجب أن تتوافق طريقة توصيل الأسلاك مع:

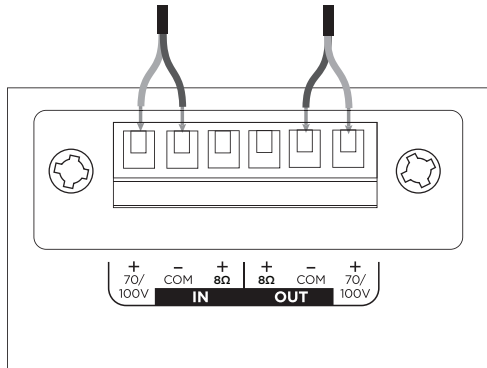
في كندا، CSA C22.1، القانون الكهربائي الكندي،

الجزء الأول، معيار السلامة للتركيبات الكهربائية، القسم 32؛

في الولايات المتحدة، القانون الكهربائي الوطني، NFPA 70.



16 أوم



100/70 فولت

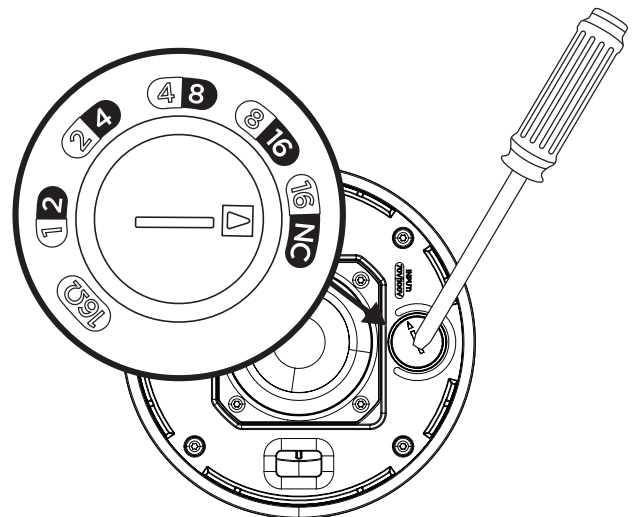
إعدادات مكبر الصوت

| | | 70 فولت | | | | |
|--------|------|----------|-------|-------|-------|-------|
| 16 أوم | | 16 واط* | 8 واط | 4 واط | 2 واط | 1 واط |
| | **NC | 16 واط | 8 واط | 4 واط | 2 واط | |
| | | 100 فولت | | | | |

* القيمة الافتراضية للشركة المصنعة ** NC: بدون توصيل (لا تستخدمه)

إعدادات تفريغ المحوّل

تُبث التفريغ بإدارته. استخدم مفك براغي برأس مسطح.

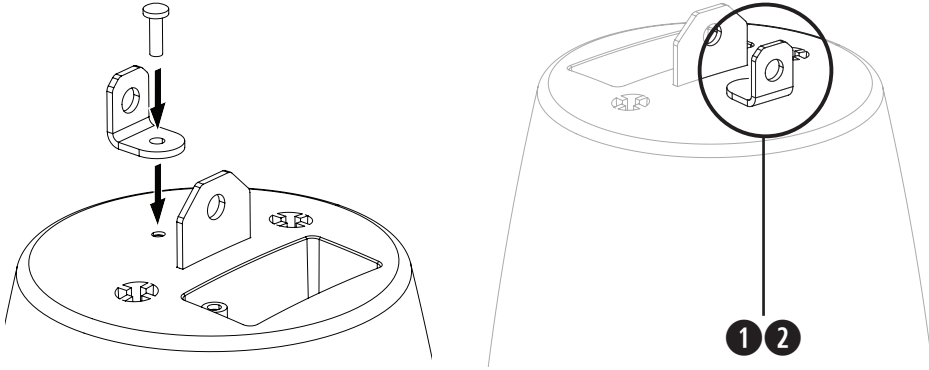


تحضير التركيب

استخدام كبل الأمان

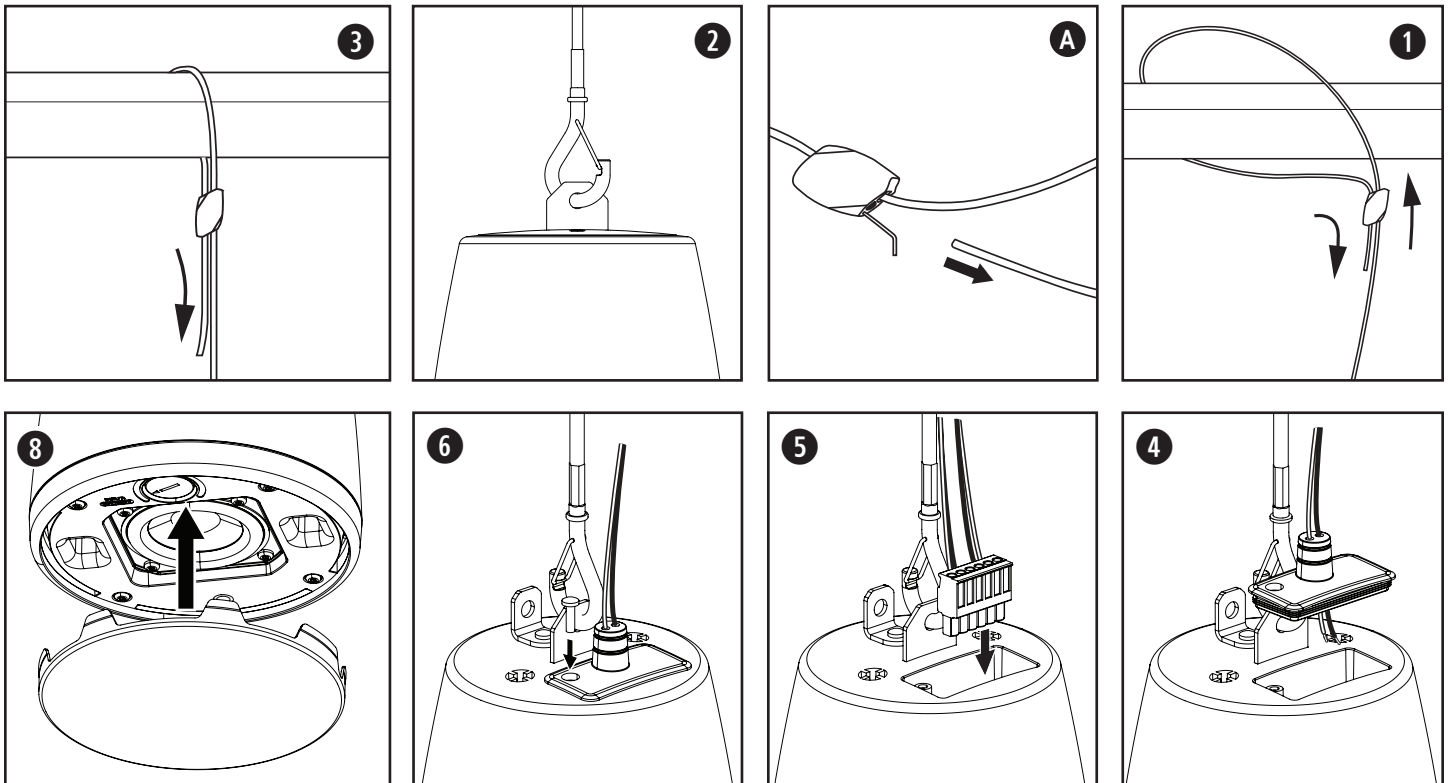
تتطلب بعض قوانين البناء الإقليمية استخدام طريقة ثانوية لتثبيت مكبرات الصوت بإحكام، بهدف دعم الهياكل وتوفير مستوى إضافي من الأمان. اختر وضعية وطريقة ومعدات للتركيب متوافقة مع قوانين ولوائح البناء المحلية.

توصي Bose Professional باستخدام (1) سلك أمان أو (2) كبل أمان كآلية تثبيت ثانوية (غير مضمن). راجع الرسم البياني الموجود في الجهة اليسرى لمعرفة نقاط التثبيت الآمنة. اتبع إرشادات الجهة المصنعة عند استخدام أي آلية تثبيت ثانوية.



تركيب مكبر الصوت

1. أدخل كبل التعليق المضمن عبر مثبت الكبل وقم بلفه حول هيكل دعم؛ أحكم تثبيت الكبل باستخدام مثبت الكبل. ملاحظة: تشير الأسهم المتوفرة على مثبت الكبل إلى اتجاه الكبل.
 - A. لإرخاء الكبل، أدخل أداة التثبيت في فتحة التحرير واضبط الكبل.
2. ثبتت مشبك الكبل بنقطة توصيل كبل تعليق مكبر الصوت.
3. اسحب الطرف السائب من كبل التعليق لضبط مكبر الصوت على الارتفاع المطلوب. عند بلوغ الارتفاع المطلوب لمكبر الصوت، اقطع الطرف الزائد من الكبل. ملاحظة: اقطع أي خيوط منسلة بواسطة قواطع الأسلاك بعد قص الكبل إلى الطول المطلوب.
4. أدخل أسلاك مكبر الصوت عبر الماسورة المطاطية لغطاء الإدخال (راجع تحضير غطاء الإدخال في الصفحة 59).
5. قم بتوصيل سلك الموصل وأدخل الموصل في مكبر الصوت. للحصول على معلومات حول توصيل 59. الأسلاك، راجع توصيل أسلاك مكبر الصوت في الصفحة 59.
6. ضع غطاء الإدخال على الموصل واضغطه بإحكام على مكبر الصوت لإنشاء قفل محكم. أحكم تثبيت غطاء الإدخال باستخدام برغي غطاء الإدخال.
7. استخدم روابط الكبلات المضمنة لتثبيت الأسلاك بكبل التعليق.
8. ملاحظة: قبل تركيب الحاجز الشبكي، اضبط إعدادات نقطة تفرع مكبر الصوت على الإعداد المناسب للتركيب. راجع إعدادات مكبر الصوت في الصفحة 59. قم بمحاذاة الحاجز الشبكي مع الجزء الداخلي من علبة مكبر الصوت بحيث يكون أصغر لسانين للحاجز الشبكي على كلا جانبي مفتاح التفرع. ادفع الحاجز الشبكي على مكبر الصوت حتى يثبت في مكانه. إذا لزم الأمر، ادفع أسنة الحاجز الشبكي نحو الداخل لتثبيتها بطريقة صحيحة في علبة مكبر الصوت.



إزالة الحاجز الشبكي

أدخل أداة صغيرة (لا يزيد قطرها عن 1,5 مم) عبر ثقب الحاجز الشبكي الموجودة عند حافة هذا الأخير واسحبها لفتح تعشيق الحاجز الشبكي.
تنبيه: لا تستخدم مفك براغ لإزالة الحاجز الشبكي من العلبة. قد يؤدي ذلك إلى إلحاق الضرر بمكبر الصوت.



السلامة والامتثال التنظيمي

اجتاز مكبر الصوت FreeSpace FS2P من الاختبارات وهو يتوافق مع المواصفات والاستخدامات التالية:
مدرجان ضمن معيار ANSI/UL 1480A-2016، لمكبرات الصوت ذات الاستخدام التجاري والاحترافي الموفر للسلامة
الاستخدام لأغراض عامة - UEAY من الفئة UL، رقم الملف S368353.
مناسب للاستخدام في الأماكن الجافة

EN 54-24، للعام 2008، مكبر صوت لأنظمة التنبيه الصوتي لاكتشاف الحرائق وأنظمة إنذار الحريق للمباني
النوع البيئي: A (الاستخدامات الداخلية)

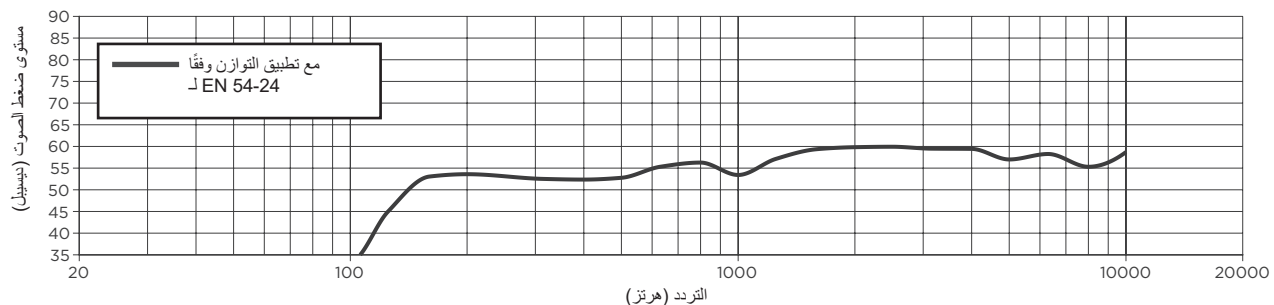
مناسب للتركيب باستخدام طرق توصيل الأسلاك من الفئة 1 أو الفئة 2 أو الفئة 3 بما يتوافق مع NFPA 70 القانون الكهربائي الوطني، العام 2002، المادة 640
مناسب للاستخدام مع طرق توصيل أسلاك دوائر إنذار الحريق بما يتوافق مع المعيار NFPA 70، من القانون الكهربائي الوطني، العام 2002، المادة 760.
المعيار NFPA 70، من القانون الكهربائي الوطني، العام 2002، المادة (c) 300-22.
المعيار NFPA A-90، العام 2002، تركيب أجهزة تكييف الهواء وأنظمة التهوية، الفقرة 4.3.10.2.6.5.
توجيه التوافق الكهرومغناطيسي (EMC) 89/336/EEC (EMC) والمادة 10 (1) من التوجيه، EN50081-1 و EN50082-1 وفقاً لعلامة CE.
تم تصميم مكبر الصوت FreeSpace FS2P وفقاً للمتطلبات المحددة في المواصفات التنظيمية الأوروبية التالية للأنظمة المدمجة:
قانون الممارسات القياسية البريطانية BS 5839، الجزء 8، عند الاستخدام مع صندوق الطرف المصنوع من السيراميك والمنصهر الحراري.
تم الاختبار وفقاً لمعيار IEC60268-5.

| تصنيفات EN 54-24 المعتمدة 1 | | | | |
|---|------------|------------|-------------|------------|
| مدى التردد | | | | |
| من 100 هرتز إلى 10 كيلوهرتز | | | | |
| الحساسية (1 واط على 4 أمتار) | | | | |
| 70,3 ديسيبل | | | | |
| الحد الأقصى لمستوى ضغط الصوت المقاس على 4 أمتار | | | | |
| 79,5 ديسيبل | | | | |
| نطاق الجواب عند زاوية التغطية (هرتز) | | | | |
| 500 | 1000 | 2000 | 4000 | |
| 360 درجة | 190 درجة | 120 درجة | 123 درجة | |
| التغطية الأفقية | | | | |
| 360 درجة | 190 درجة | 115 درجة | 120 درجة | |
| التغطية الرأسية | | | | |
| الممانعة المقدرة | | | | |
| 1 واط | 2 واط | 4 واط | 8 واط | 16 واط |
| 70 فولت | 4900 أوم | 2450 أوم | 613 أوم | 306 أوم |
| 100 فولت | — | 5000 أوم | 1250 أوم | 625 أوم |
| الممانعة الاسمية غير الفعالة | | | | |
| 16 أوم | | | | |
| قدرة الضوضاء المقدرة | | | | |
| 16 واط | | | | |
| التوازن وفقاً لـ EN 54-24 | | | | |
| النوع | التردد | الكسب | عامل الجودة | عرض النطاق |
| موازن بارامتري | 10900 هرتز | -12 ديسيبل | 10 | 0,144 |

الحواشي

1. دماعتي. دانس إال روجم عم دماعتيو يلفبشال زجالا حطس ملع دانس إال يوتسم رهظي. بل قسكاع ريغو بتوصللل قلزاع قفرع يف تافصاوملا تانايب سايق مت
دانس إال يوتسم عم دماعتيو دانس إال روجم يقفأال يوتسملا نمضتتي يلفبشال زجالا حطس طسو عم دانس إال روجم

استجابة التردد على المحور





891337-0020