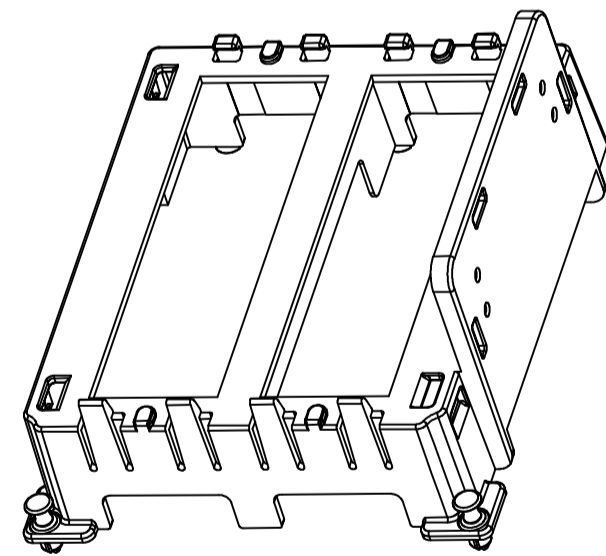
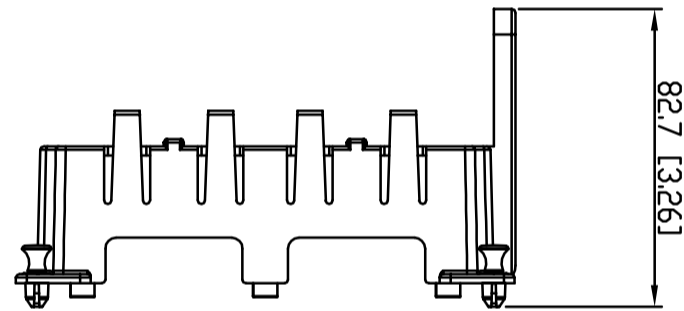
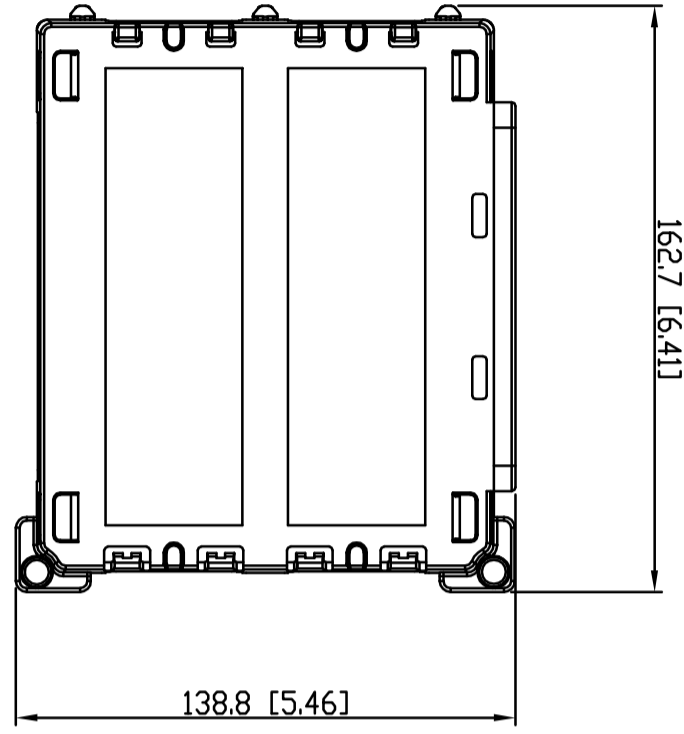
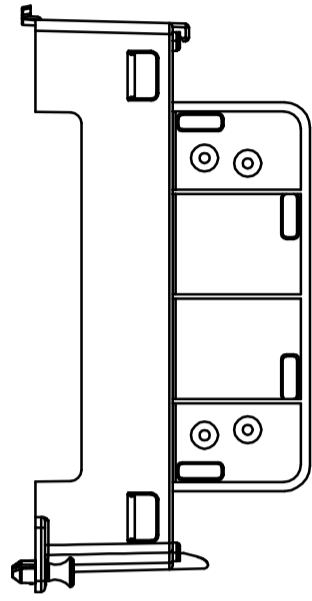


2

1

B

B



A

A

PROPRIETARY AND CONFIDENTIAL
 THE INFORMATION CONTAINED
 IN THIS DRAWING IS THE SOLE
 PROPERTY OF On-Q/LEGRAND.
 ANY REPRODUCTION IN PART OR
 AS A WHOLE WITHOUT THE WRITTEN
 PERMISSION OF On-Q/LEGRAND
 IS PROHIBITED. DRAWING IS SUBJECT
 TO CHANGE WITHOUT NOTICE.

on·Q

legrand®

P.O. Box 60907
 Middletown, PA 17106-0907
 1-800-321-2343

TITLE:

MDU MOUNTING BRACKET

SIZE A	DWG NO AC1042	FILE NAME CD-AC1042	CUST REV A
REVISED DATE 01/11/18	SCALE NONE	SHEET 1 OF 1	

2

1