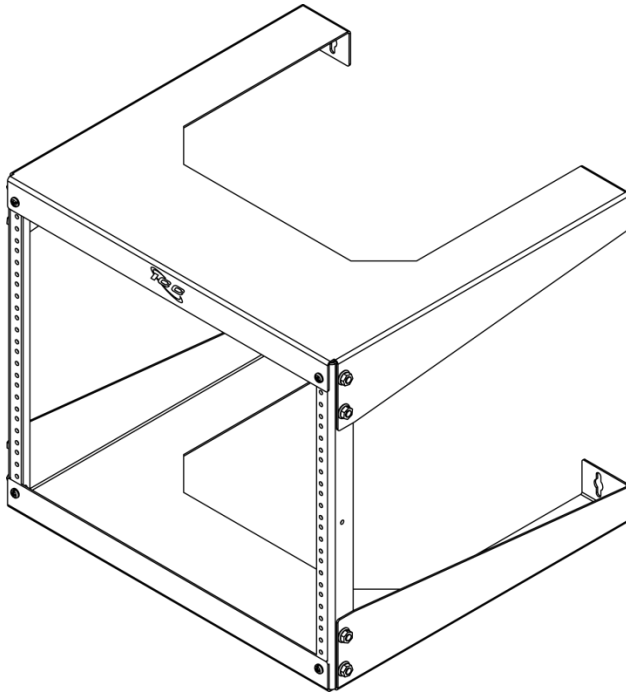


Wall Mount Rack, 8 RMS

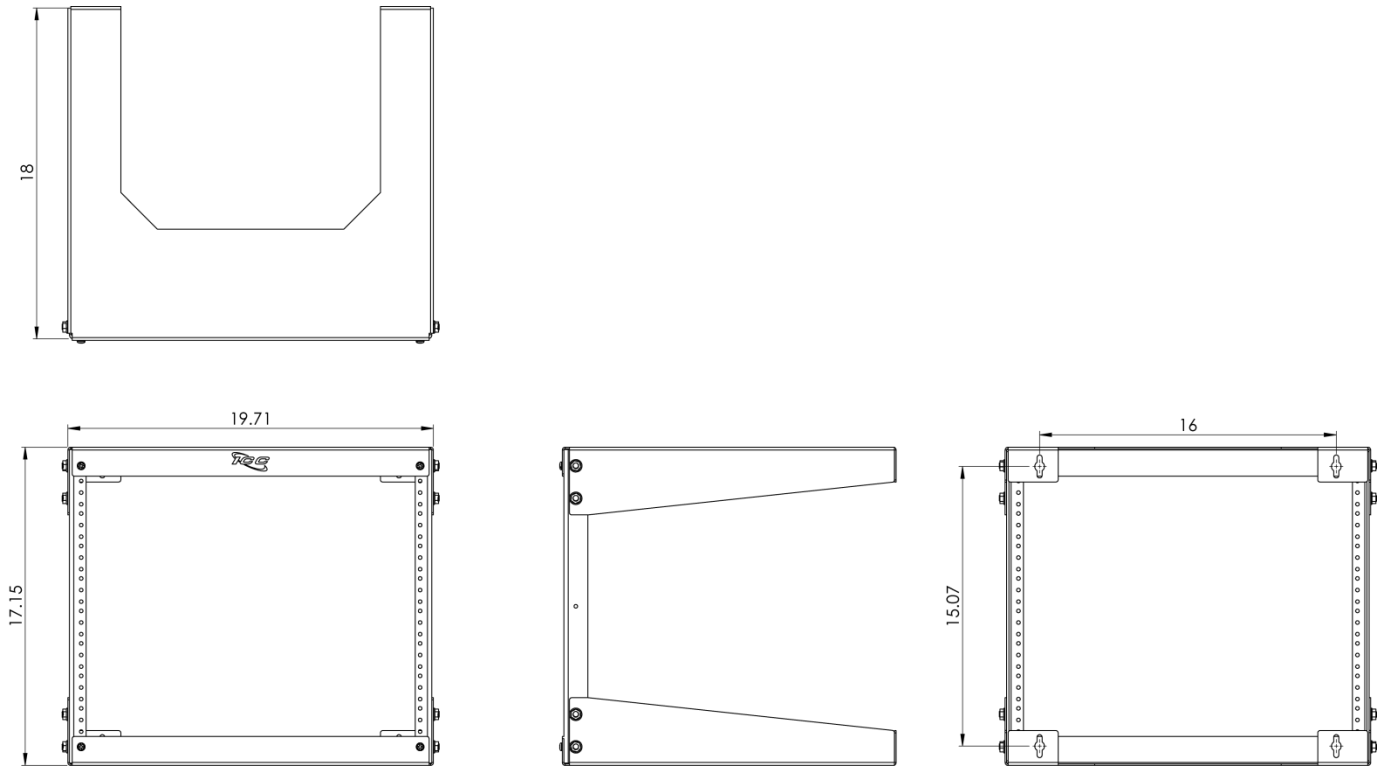


Package Includes:

- A. Top Support, **1 Piece**
- B. Bottom Support, **1 Piece**
- C. Side Rail, **2 Pieces**
- D. 5/16-18 UNC Serrated Flange Hex Nut, **8 Pieces**
- E. #12-24 x 5/8" Pan Head, Pilot Point Machine Screw, **4 Pieces**
- F. Installation Instructions, **1 Sheet**

Features and Benefits

- Designed with durable steel construction, black textured powder coated, supports up to 125 lbs. of equipment
- Designed with an 18" depth making it ideal for installing voice and data equipment
- Voice and Data Equipment such as patch panels, active components, shelves, drawers, and cable management products
- Ideal for small data and telecom installations where space limitations prohibit the use of floor mount racks
- 8 rack mount space (RMS)
- Used with all ICC rack mount products
- EIA/ECA-310-E compliant



NOTE: UNLESS OTHERWISE SPECIFIED

1. Material:

- A. Top & Bottom Support: 14 GA CRS
- B. Side Rails: 11 GA CRS

2. Surface Finish: Black Powder Coat