

# Surgeologic Type POESE

## Surge Protective Device for Data Circuit Protection

Surgeologic™ Type POESE is a Surge Protective Device for Data Circuit Protection (SPD/DCP) which offers surge protection on category 6 Power-Over-Ethernet (POE) transmission line applications for loads up to 0.75 A.

This module helps to protect critical video, security and computing equipment from damaging surges, transients and circulating ground currents.

### Applications:

Ideal for protecting expensive/critical computer and video equipment from damaging surges and transients

### Features:

- Operating Current: 0.75 A
- Operating Voltage: 48 VDC
- Clamping Voltage: 68 VDC
- Maximum Surge Current: 10 kA
- Insertion Loss: <0.1 db
- Input Connection: RJ45 (female)
- Output Connection: RJ45 (female)
- Mounting: Flange
- Exceeds Category 6 transmission values
- Three stage hybrid circuit
- DC over Ethernet all pins
- UL497B Listed – Standard for Protectors for Data Communications and Fire-Alarm Circuits



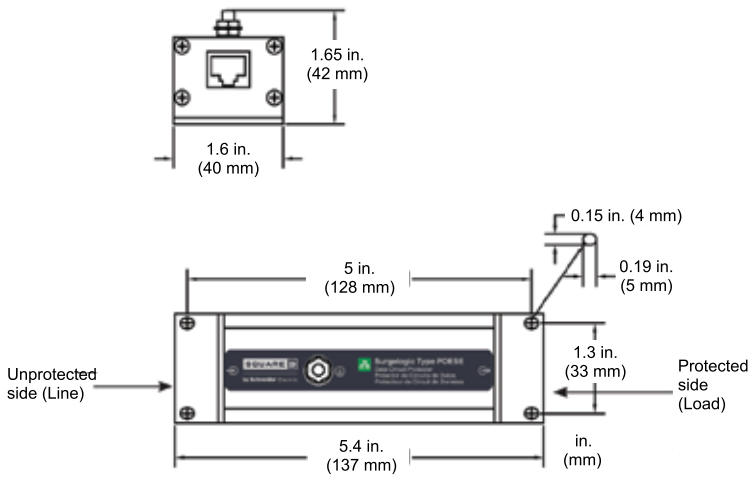
### Benefits:

- Category 6 Power-Over-Ethernet (POE) transmission line protection
- Optional isolated ground to be used at the equipment end in order to prevent circulating ground currents
- Protects network signal lines entering or leaving control/critical panels.

### Warranty:

Type POESE has a limited warranty of 5 years

## Installation:



### Performance

Operating Current	0.75 A (per pin)
Operating Voltage	48 VDC
Clamping Voltage	68 VDC
Maximum Surge Current	10 kA (per pair)
Insertion Loss	<0.1 db
Input/Output Connection	RJ-45 Jacks (Shielded) RJ-45 Jacks (Isolated)
Ground Terminal	10-32 Stud 10-32 Stud (Isolated)

### Mechanical Description

Mounting	Flange
Wiring	10 AWG copper wire
Terminal Torque	7 lb-in (0.79 N-m)
Operating Temperature	-40° F to +140° F (-40° C to +60° C)
Storage Temperature	-40° F to +140° F (-40° C to +60° C)

### Listings and Certification

UL497B

Commercial Reference	Operating Voltage	Clamping Voltage	I/O Connection
SSP057POESE10	48 VDC	68 VDC	RJ-45 (Shielded)
SSP057POESE10IG			RJ-45 (Isolated)

Schneider Electric USA, Inc.

800 Federal Street  
 Andover, MA 01810  
 888 SQUARED (888-778-2733)  
[www.schneider-electric.us](http://www.schneider-electric.us)

June 2019

Document Number 1300HO1904

Life Is On

