

CAM-LIGHT™ BOX for Suspended Ceilings

Offers a great way to install fixtures and smoke detectors (and more) on a suspended ceiling, drywall ceiling or wall.

FEATURES AND BENEFITS

- Designed to install fixtures and more to a suspended ceiling panel—fast with a 4" hole saw
- Rated up to 50 lbs on a suspended ceiling (or drywall ceiling) in combination with the drop wire for support
- Rated up to 10 lbs on a drywall ceiling without drop wire (not for fixtures)
- Rated up to 7 lbs on walls
- Drop wire provides overhead support.
- Mounting wings hold bracket securely against wall when screws are tightened
- Box may be turned to any angle for proper in-line positioning of exit signs and direct lighting
- White, non-metallic, paintable flange
- Steel box version for use where metal raceways are required
- Steel version installs with 4-1/2" hole saw
- Boxes have 1/2" and 3/4" knockouts
- To install a security camera on this box check out our CAM-KIT™ Camera Mounting Kit (SC5) on page M-4



FL430



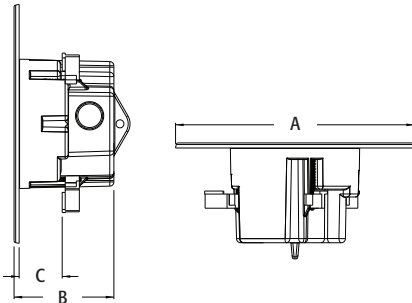
FL430S

| CATALOG NUMBER | UPC/DCI/NAED MFG #018997 | DESCRIPTION/ CUBIC INCHES | UNIT PKG | STD PKG | DIM A | DIM B | DIM C |
|----------------|--------------------------|---------------------------|----------|---------|-------|-------|-------|
| FL430* | 09740 | Non-Metallic / 27.0 | 1 | 10 | 7.380 | 3.085 | 1.331 |
| FL430S | 09741 | Steel / 17.0 | 1 | 10 | 7.345 | 2.375 | 1.688 |



*Add suffix "GC" to Catalog # when ordering in Canada to include grounding clip, for example FL430GC. Box includes 12' of drop wire, and box. Non-metallic box also includes (2) NM94 cable connectors.

PATENTED.



Scan For Video



INSTALLATION INSTRUCTIONS - FL430 FOR FIXTURES



1 Cut hole in a ceiling grid with 4" hole saw. 4-1/2" for steel.



2 Install CAM-LIGHT™ box. Rotate to desired position. Tighten mounting wing screws.



3 Add drop wire to loop. Attach to framing member above.



To Complete: Using the appropriate KO (1/2" or 3/4") install NM94 cable connector (supplied) and pull cable. Install fixture per manufacturer's instructions.