



C2G USB 1.1 Enhanced Superbooster Kit

- Designed and engineered specifically to support Interactive Whiteboard applications
- USB 1.1 supported
- Supports maximum distance of 40m (131ft)
- RoHS compliant



Specifications: C2G USB 1.1 Enhanced Superbooster Kit

Signal Specifications:

Signal Support:	USB
Maximum Supported Distance:	40m (131ft)
USB Specification:	1.1
Compatible Cable Types:	Cat5, Cat5e, Cat6

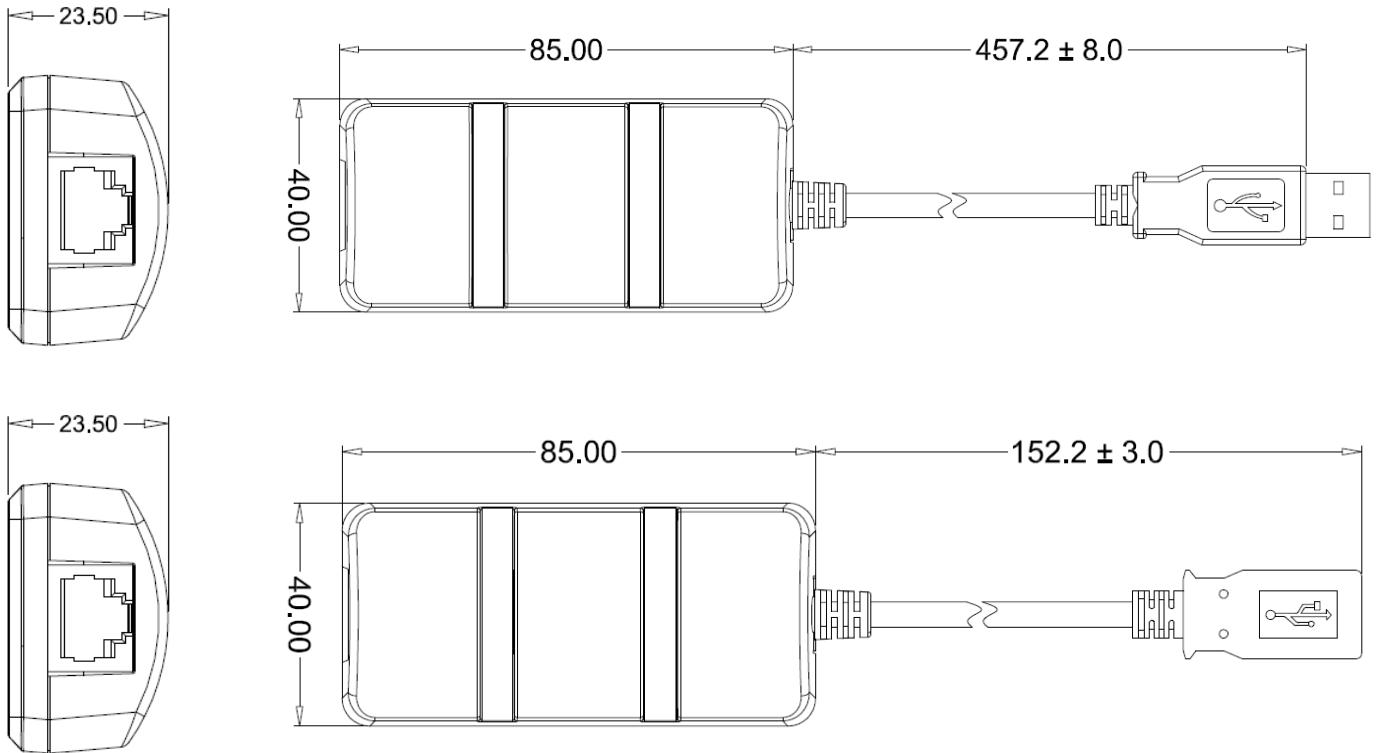
Physical Characteristics:

Transmitter Unit

Inputs:	RJ45 Female
USB Ports:	USB A Male
USB Pigtail Length:	18" (45.7cm)
Enclosure:	Plastic
Dimensions (HxWxD):	85 x 40 x 25mm
Operating Temperature:	0-50C

Receiver Unit

Outputs:	RJ45 Female
USB Ports:	USB A Female
USB Pigtail Length:	6" (15.2cm)
Enclosure:	Plastic
Dimensions (HxWxD):	85 40 x 25mm
Operating Temperature:	0-50C



Part Number	Description
29338	C2G USB 1.1 Enhanced Superbooster Kit

