



## Residential Cabling Solutions

# 8-Port Telephone Module with RJ31X Jack

### INSTALLATION INSTRUCTIONS

## Telephone Module with RJ31X Jack

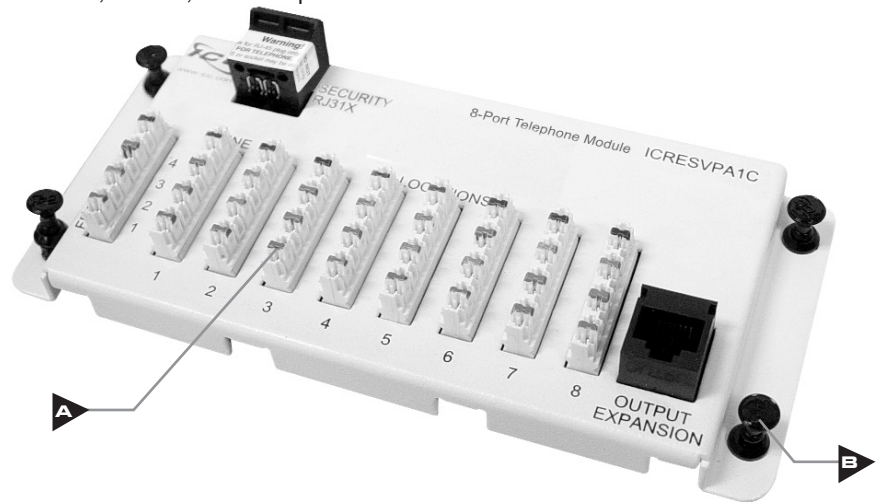
ICC's Telephone Module with RJ31X Jack is an 8-port bridged telephone solution. This module offers a 110 IDC input and an expansion jack for additional connectivity. It supports up to 8 telephone outlets for phone, fax, modem devices, and has access up to 4 incoming phone lines. Available in three different styles: Premier, Deluxe, and Compact.

This installation instruction is designed for the following part numbers:

**ICRESVPA1C**  
**ICRESVPA2C**  
**ICRESVPA3C**

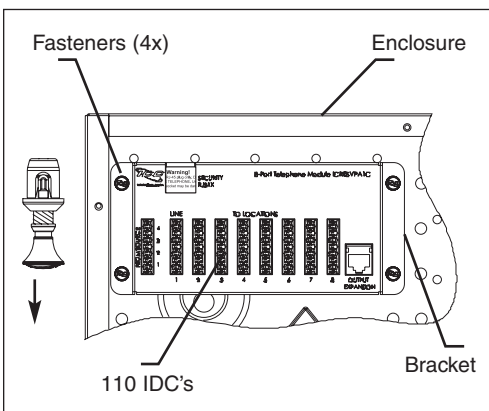
#### INCLUDES:

- A** 8-Port Telephone Module with RJ31X Jack, 1 piece
- B** Fasteners, 4 pieces



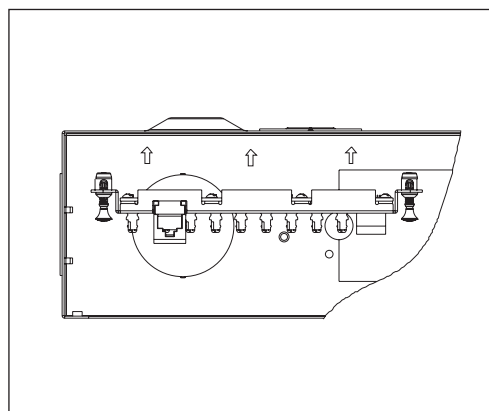
## ASSEMBLY INSTRUCTIONS

### Step 1.



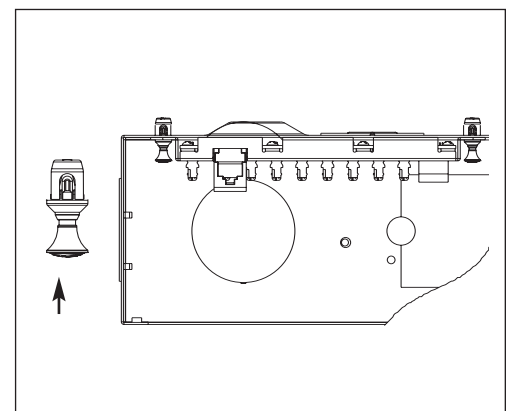
1. Place module horizontally and align fasteners with the peg board. Make sure the fasteners are **NOT** in locked positions.

### Step 2.



2. Push the module so that the fasteners go into the peg board of the enclosure.

### Step 3.



3. Once the module bracket is in the desired location, push the fasteners to the locked position.

**CUSTOMER CARE / TECHNICAL SUPPORT • CSR@ICC.COM / 888-275-4422 (ASK-4-ICC)**

[www.icc.com](http://www.icc.com)

# ASSEMBLY INSTRUCTIONS

## Step 4.

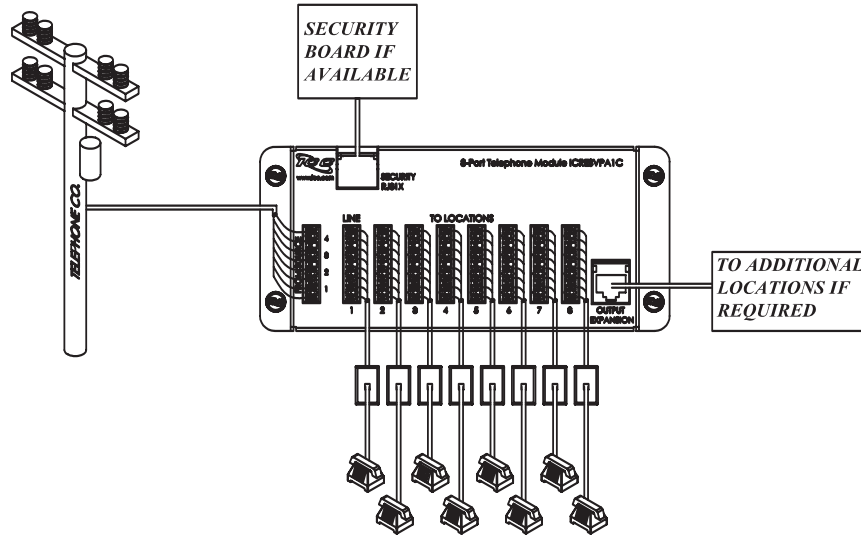


Fig 4.  
Telephone Module With RJ31x Setup

**Wiring a 110 Connector**

1. Strip 2" of cable jacket.
2. Untwist about 0.5" wire and keep jack close to 110 connector
3. According to the color code only use a 110 punch down tool to push the wire between the contact blades. Or wire may be damaged when using other tools.

Fig 4.  
Wiring

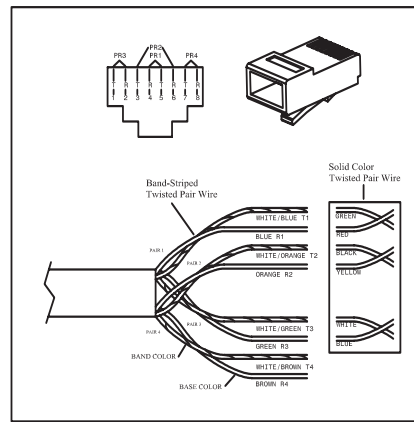


Fig 5.  
RJ-45 Jack

4. Connect the incoming phone line to the 110 IDC labeled "From Source." Use a 110 punch down tool to terminate each wire between contact blades. Identify each outlet cable and connect to 110 block labeled "To Locations." Punch down twisted pairs depending on which lines are desired to be activated at each location.

NOTE: Line#1 = Blue, Line#2 = Orange, Line#3 = Green, Line#4 = Brown

Example: Each 110-block represents one location. If you want to activate Line#1 at Location#1, simply punch down the twisted pair (White Blue/Blue) to the first 110-block. If you want to use a 2-line phone (Line#1 & Line#2) at Location#1, simply punch down twisted pairs (White Blue/Blue & White Orange/Orange) to the first 110-block to support 2-line phone.

WIRE INSTALLATION: For 110 IDC connector, follow the wire color-code and only use the 110 punch-down tool to terminate the wire between the contact blades.

RJ-45 Jacks: Phone and data lines are wired according to the TIA T-568-A standard.

Also available:

