



## Residential Cabling Solutions

# Deluxe Series Video Splitter Modules

### INSTALLATION INSTRUCTIONS

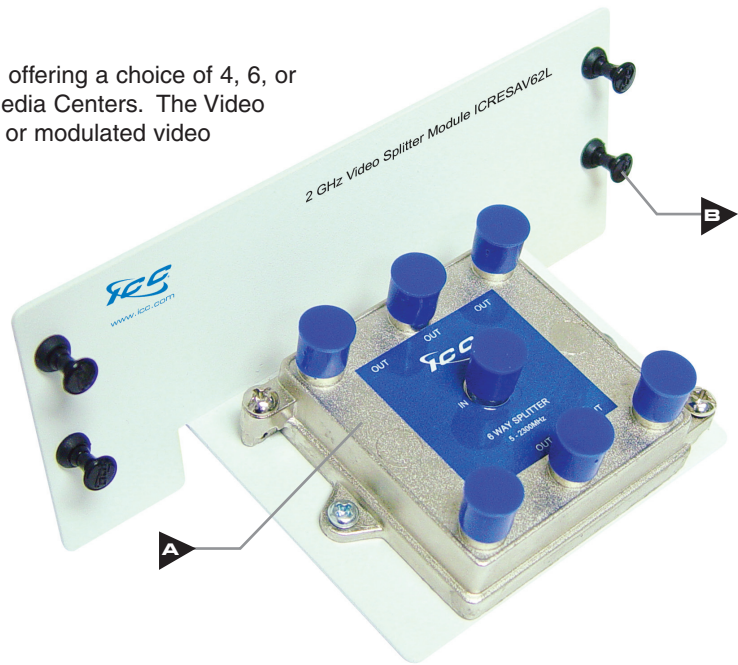
## Video Splitter Modules

2 GHz Video Splitters can support up to eight locations, offering a choice of 4, 6, or 8-ports, and are designed for installation in ICC's Net.Media Centers. The Video Splitters receive and distribute CATV, antenna, satellite, or modulated video signals up to eight analog or digital television sets.

**ICRESAV42L**  
**ICRESAV62L**  
**ICRESAV82L**

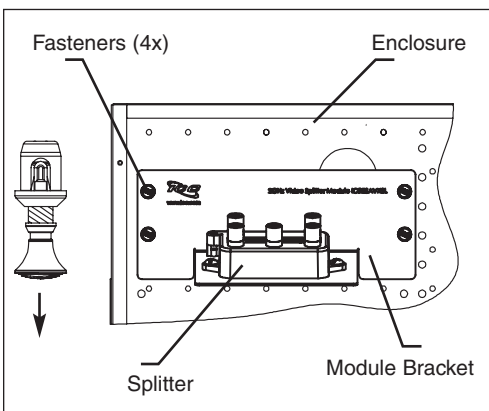
### INCLUDES:

- A** 2 GHz Video Splitter, 1 piece
- B** Fasteners, 4 pieces



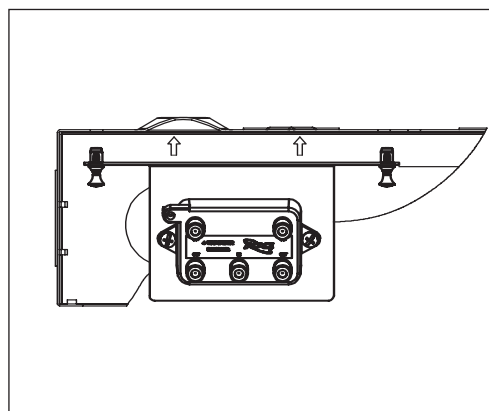
## ASSEMBLY INSTRUCTIONS

### Step 1.



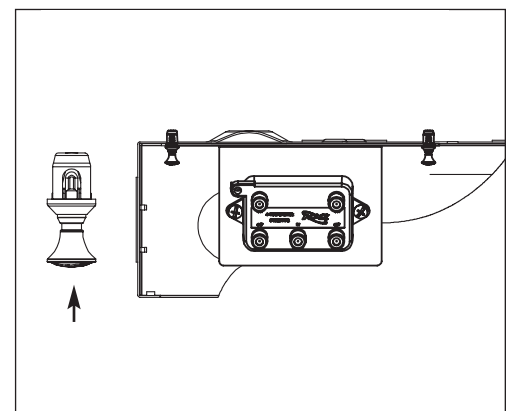
1. Place module horizontally and align fasteners with the peg board. Make sure the fasteners are **NOT** in locked positions.

### Step 2.



2. Push the module so that the fasteners goes into the peg board of the enclosure.

### Step 3.



3. Once module bracket is in the desired location, push the fasteners to their lock position.

**CUSTOMER CARE / TECHNICAL SUPPORT • CSR@ICC.COM / 888-275-4422 (ASK-4-ICC)**  
**ICC.COM**

# ASSEMBLY INSTRUCTIONS

## Step 4.

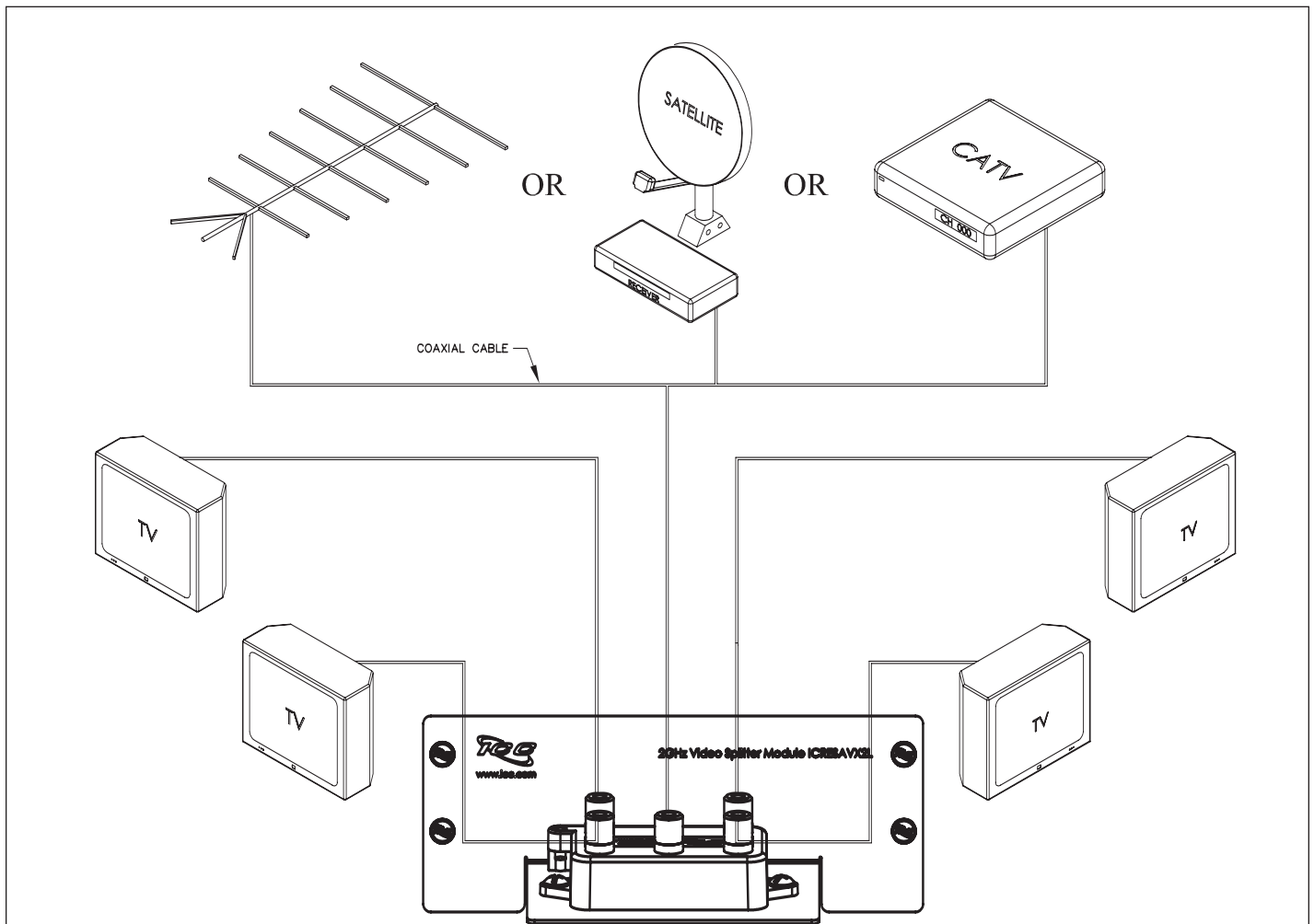
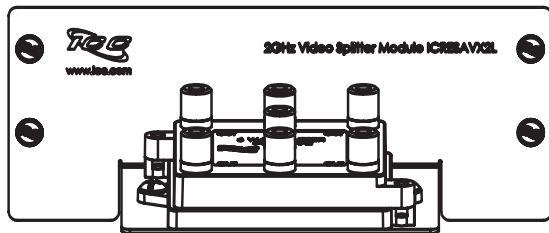
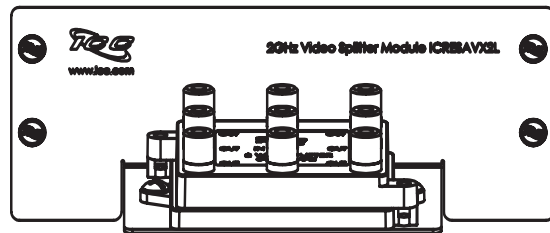


FIG 3.  
Video Splitter Setup

### ALSO AVAILABLE



2 GHz 1 X 6 Video Splitter Module - ICRESAV62L



2 GHz 1 X 8 Video Splitter Module - ICRESAV82L

4. Prepare an incoming coaxial cable and outgoing coaxial cable by using ICC's coax cable stripper tool (ICACSCSCTV), All-in-One Universal Compression tool (ICACSCT01U), and F-type compression connectors (ICRDSAV01F for RG-6, and ICRDSAV04F for RG-6 Quad-Shield). Connect the incoming cable to the "IN" port of the splitter and the outgoing coaxial cables to the "OUT" ports. The "OUT" ports route the video signal to each location.