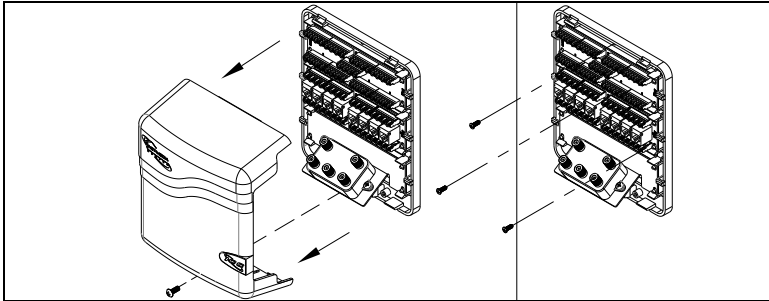


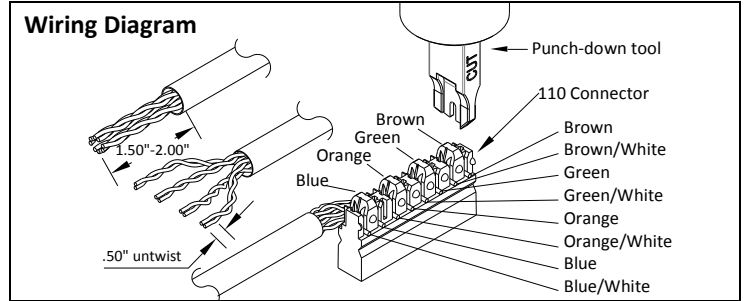


Mini Net. Media Center™ Voice + Video + Data

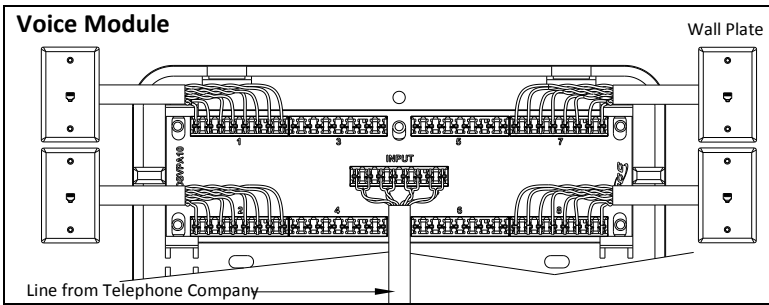
INSTALLATION INSTRUCTIONS



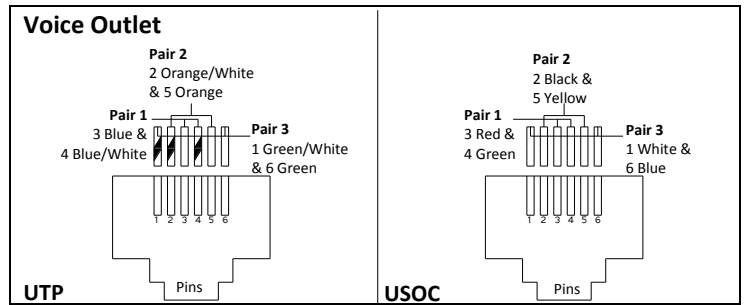
Step 1: Remove the screw to separate the cover from the base. Next, screw the base to a surface at a desirable indoor location using a minimum of 3 points.



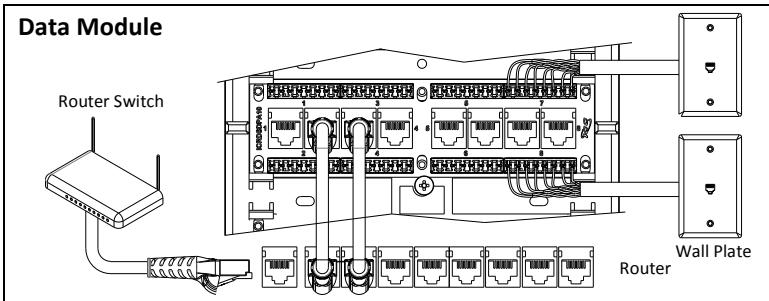
Step 2: Terminate the wires by only using a 110 punch-down tool. Be certain to follow the specified T568A color code for 8P8C installations as per TIA-570 residential wiring standards.



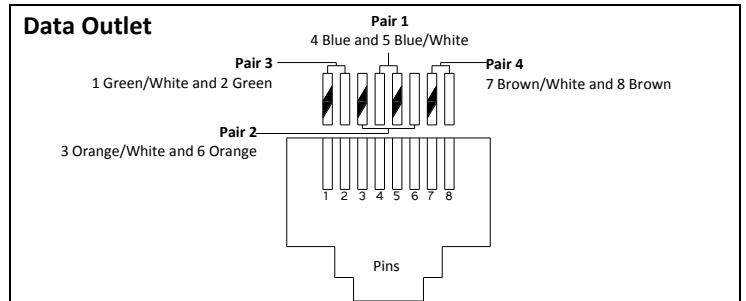
Step 3a: Terminate the incoming phone line to the 110 IDC labeled "INPUT". Identify each outlet cable and terminate to 110 IDC labeled "1-8". Note: Line #1= Blue, Line #2=Orange, Line #3=Green, Line #4= Brown.



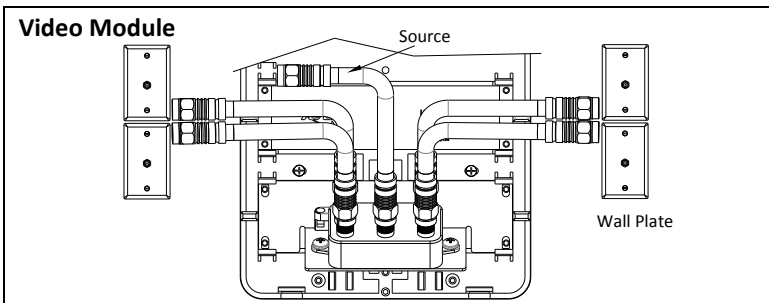
Note: Follow UTP or USOC wiring on 6P6C voice modular connectors to connect up to 3 phone lines per outlet.



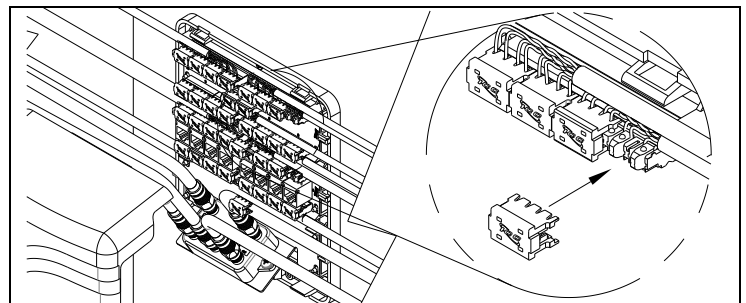
Step 3a: Terminate cables on the 4-Pair 110 connectors on the data module. Connect one end of a patch cord to the corresponding jack and the other end to the Ethernet router after identifying the port to activate.



Note: It is important to follow T568A wiring because it allows pair 1 and 2 to be used for phone applications, up to 2 lines.



Step 3b: Attach a coaxial cable from the antenna or cable TV source to the "IN" connector on the splitter. Up to 4 TV tuners can be connected to the "OUT" connectors.



Optional: To protect termination wires and debris from entering 110 connectors, termination cap can be used (sold separately).

888-ASK-4ICC

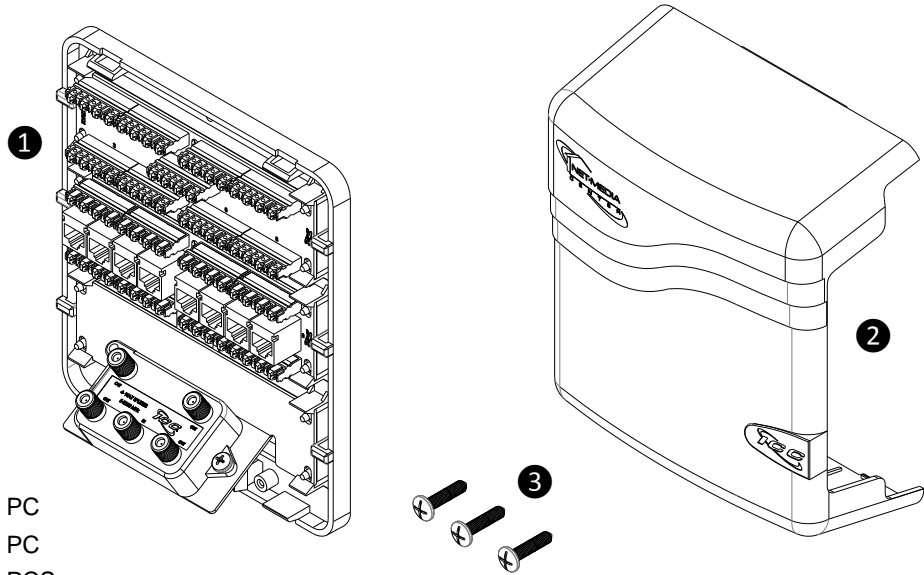
csr@icc.com

icc.com



Mini Net. Media Center™ Voice + Video + Data

INSTALLATION INSTRUCTIONS



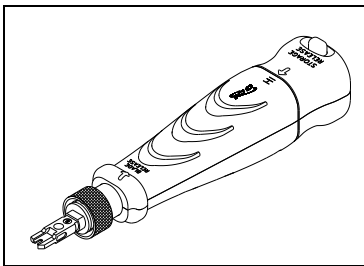
ICRDSMMBK1

- | | | |
|---|------------------------|-------|
| ① | Enclosure with modules | 1 PC |
| ② | Snap-On Cover | 1 PC |
| ③ | #6 x 1" Mounting Screw | 3 PCS |

FEATURES AND BENEFITS

- Snap-on cover and base are constructed of durable ABS plastic
- 8-Port bridged voice module for connecting phones to 8 locations
- 8-Port CAT 5e data module networking up to 8 computers
- 1x4 CATV 2GHz splitter modules for connecting video to 4 locations.
- Compact size perfect for installing in garages, basements and bedroom closets.
- Side access points are on the left and right for easy cable entry and exit

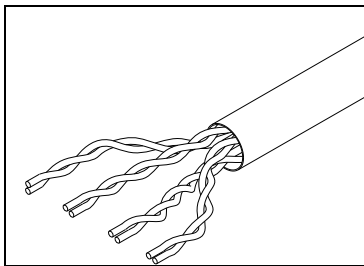
OPTIONAL ACCESSORIES



Single Blade Punch-Down Tool

ICACSPDT00

- Single wire termination
- 110 IDC and 66 blocks
- Both blades included
- Adjustable impact settings
- Comfortable grip



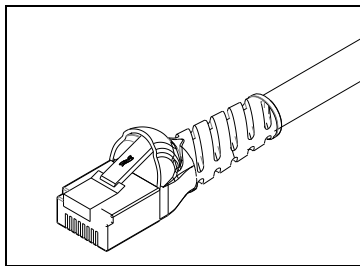
CAT 5e UTP Premise Cables

ICCABP5Exx* CMP

ICCABR5Exx* CMR

- 4-Pair, 24 AWG
- Solid copper cable
- 1000 feet, EZ pull carton

xx* denotes color= BL-Blue, GY-Gray, GN-Green, WH-White, YL-Yellow

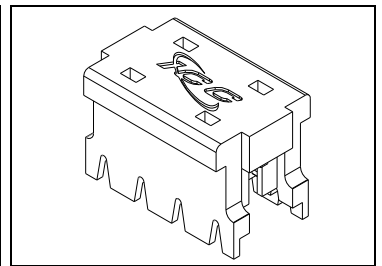


Patch Cords

ICPCSJzzxx*

- CAT 5E, 4-Pair UTP, 24 AWG
- Slim boots fit narrow port spacing
- UL listed
- Factory tested and compatible with T568A/B

zz denotes length=01-1ft, 03-3ft, 05-5ft, 07-7ft, 10-10ft, 14-14ft., 25-25ft
xx denotes color= BL-Blue, BK-Black, GY-Gray, GN-Green, OR-Orange, RD-Red



110 Termination Cap, 2-Pair

IC110TC450

- Protects wires and prevents debris
- Works with patch panels

888-ASK-4ICC

csr@icc.com

icc.com