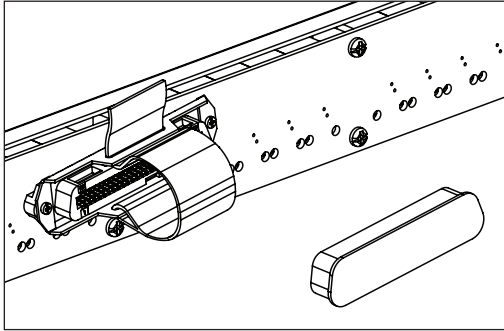


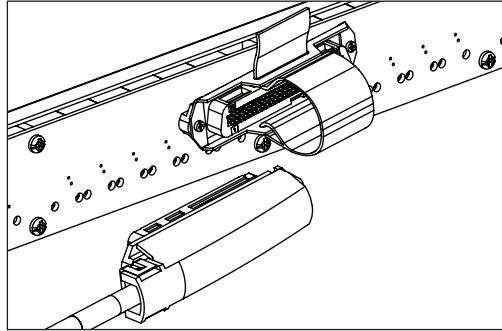


Voice Patch Panels with Rear Female Telco Connectors

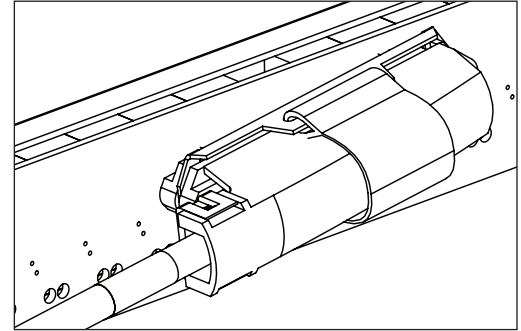
INSTALLATION INSTRUCTIONS



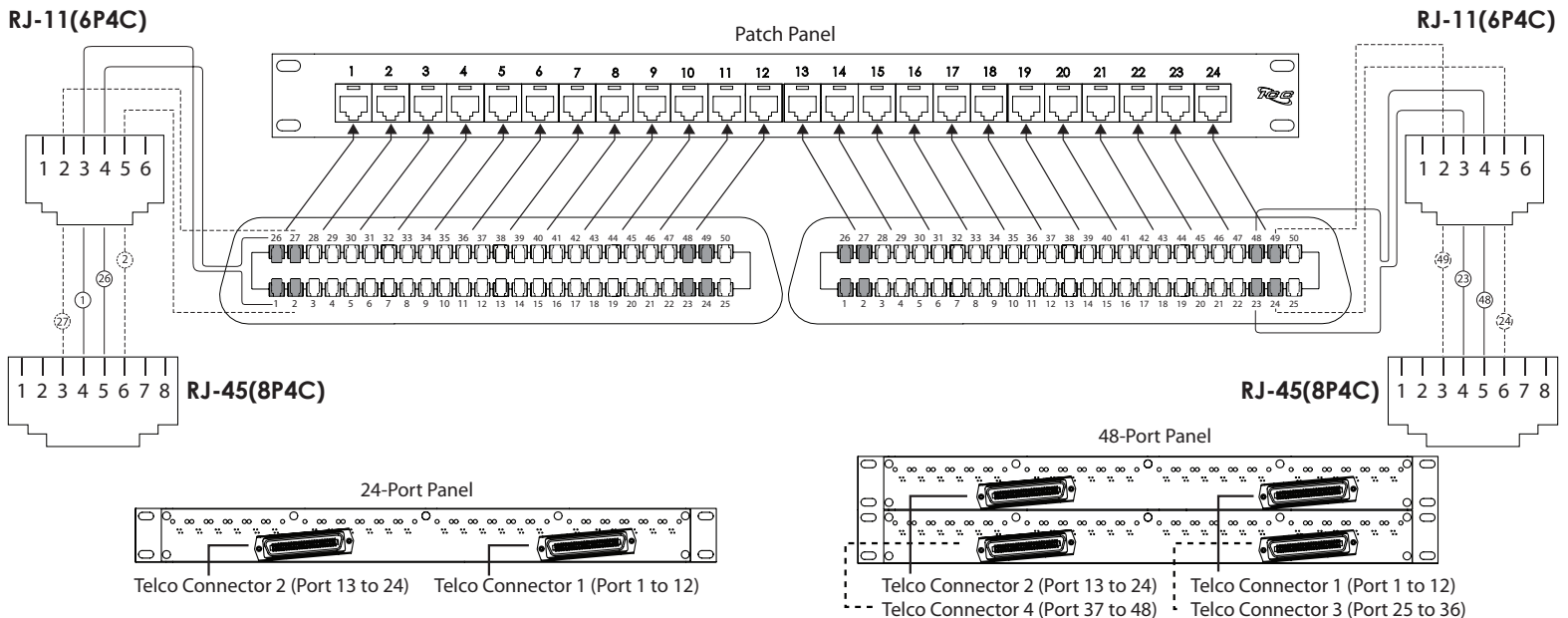
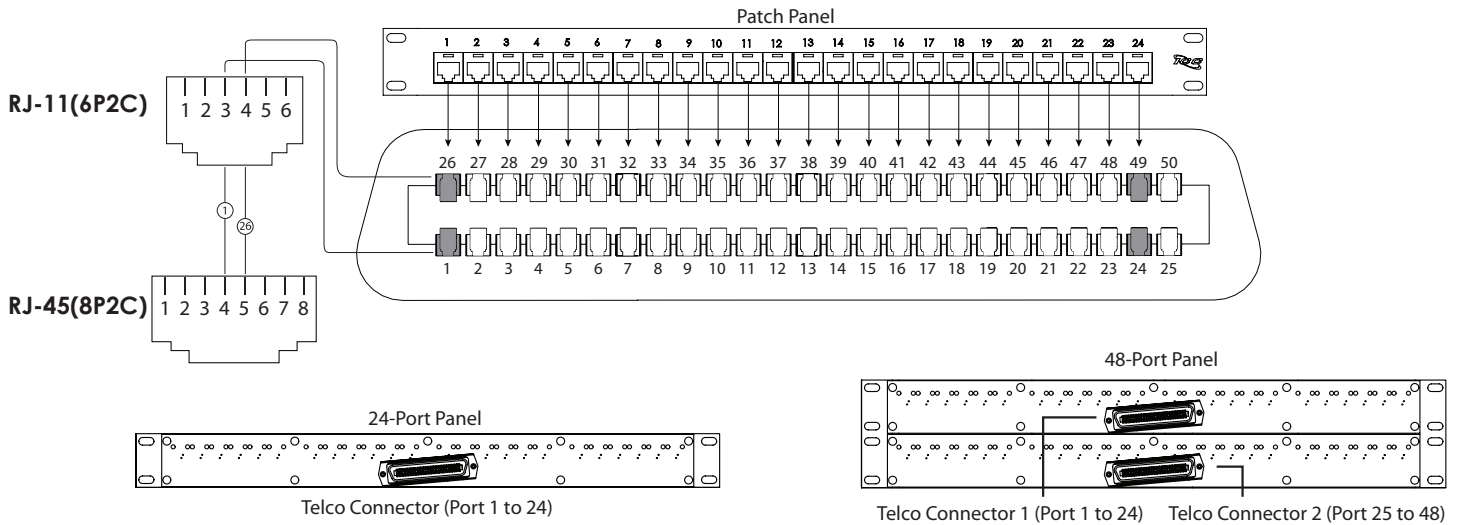
Step 1. Remove dust cover.



Step 2. Plug male Telco connector.



Step 3. Tighten cable fastening strap.



Note: Wiring is the same for 48-Port Patch Panels

888-ASK-4ICC

csr@icc.com

icc.com



Voice Patch Panels with Rear Female Telco Connectors

INSTALLATION INSTRUCTIONS

6P2C Wiring Chart

PORT	1				2				3				4				5				6				7				8				9				10				11				12				-	
PIN	26	1	27	2	28	3	29	4	30	5	31	6	32	7	33	8	34	9	35	10	36	11	37	12	38	13	39	14	40	15	41	16	42	17	43	18	44	19	45	20	46	21	47	22	48	23	49	24	50	25
6P2C	4	3	2	3	4	3	2	3	4	3	2	3	4	3	2	3	4	3	2	3	4	3	2	3	4	3	2	3	4	3	2	3	4	3	2	3	4	3	2	3	4	3	2	3	4	3	2	3	OPEN	OPEN

6P4C Wiring Chart

PORT	1				2				3				4				5				6				7				8				9				10				11				12				-					
PIN	26	1	27	2	28	3	29	4	30	5	31	6	32	7	33	8	34	9	35	10	36	11	37	12	38	13	39	14	40	15	41	16	42	17	43	18	44	19	45	20	46	21	47	22	48	23	49	24	50	25				
6P4C	4	3	2	5	4	3	2	5	4	3	2	5	4	3	2	5	4	3	2	5	4	3	2	5	4	3	2	5	4	3	2	5	4	3	2	5	4	3	2	5	4	3	2	5	4	3	2	5	4	3	2	5	OPEN	OPEN

8P2C Wiring Chart

PORT	1		2		3		4		5		6		7		8		9		10		11		12		13		14		15		16		17		18		19		20		21		22		23		24		-			
PIN	1	26	2	27	3	28	4	29	5	30	6	31	7	32	8	33	9	34	10	35	11	36	12	37	13	38	14	39	15	40	16	41	17	42	18	43	19	44	20	45	21	46	22	47	23	48	24	49	25	50		
8P2C	4	5	4	5	4	5	4	5	4	5	4	5	4	5	4	5	4	5	4	5	4	5	4	5	4	5	4	5	4	5	4	5	4	5	4	5	4	5	4	5	4	5	4	5	4	5	4	5	4	5	OPEN	OPEN

8P4C Wiring Chart

PORT	1				2				3				4				5				6				7				8				9				10				11				12				-					
PIN	27	1	26	2	29	3	28	4	31	5	30	6	33	7	32	8	35	9	34	10	37	11	36	12	39	13	38	14	41	15	40	16	43	17	42	18	45	19	44	20	47	21	46	22	49	23	48	24	25	50				
8P4C	3	4	5	6	3	4	5	6	3	4	5	6	3	4	5	6	3	4	5	6	3	4	5	6	3	4	5	6	3	4	5	6	3	4	5	6	3	4	5	6	3	4	5	6	3	4	5	6	3	4	5	6	OPEN	OPEN

Part #	Description	Conductor
ICMPPTF242	24-Port, active pins: 3 and 4, 1 RMS*	6P2C
ICMPPTF482	48-Port, active pins: 3 and 4, 2 RMS*	6P2C
ICMPPTF244	24-Port, active pins: 3/4 and 2/5, 1 RMS*	6P4C
ICMPPTF484	48-Port, active pins: 3/4 and 2/5, 2 RMS*	6P4C

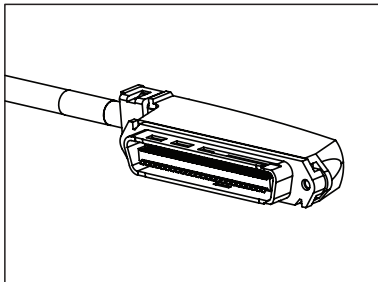
Part #	Description	Conductor
ICMPP24TF2	24-Port, active pins: 4 and 5, 1 RMS*	8P2C
ICMPP48TF2	48-Port, active pins: 4 and 5, 2 RMS*	8P2C
ICMPP24TF4	24-Port, active pins: 3/4 and 5/6, 1 RMS*	8P4C
ICMPP48TF4	48-Port, active pins: 3/4 and 5/6, 2 RMS*	8P4C

*1 RMS (Rack Mount Space) = 1.75"

FEATURES AND BENEFITS

- Telco patch panels come in 24 and 48 ports, RJ-11 and RJ-45
- Their design consists of 2 and 4 wire and a USOC wiring scheme ideal for PBX phone systems
- Ports on the front link with 50-pin female Telco connectors on the rear
- Panel comes with cable straps on the rear to secure cable
- Panel comes with write-on labeling areas on the front to identify ports

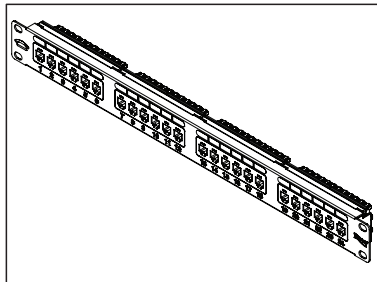
OPTIONAL ACCESSORIES



25-Pair RJ-21X Telco Cable

- 24 AWG, UTP cable
- ICPCSTMMzz¹ Male to Male
- ICPCSTFFzz¹ Male to Female
- ICPCSTMBzz² Male to Blunt

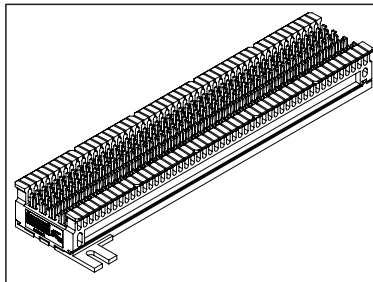
Length (zz¹) = 05, 10, 15, 25, 75 and 00 (00 = 100) feet
 Length (zz²) = 05, 10, 15 and 25 feet



Voice USOC Patch Panels

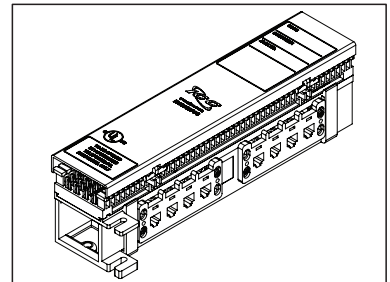
- 6P6C, USOC Wiring
- ICMPP024U6 24-Ports, 1 RMS*
- ICMPP048U6 48-Ports, 2 RMS*
- ICMPP012U6 12-Ports, Vertical

*RMS = Rack mount space



66 Wiring Block

- Wall mountable
- Flame retardant UL 94V-0 material
- IC066NB050 1 Piece
- IC066NBC50 25-Pack



Pre-wired 66 Wiring Blocks

- Wall mountable
- Pre-wired with Telco connectors
- 25/50-Pair
- Includes 89D mounting bracket
- IC066SFT25 1 Telco connector
- IC066DFT50 2 Telco connectors