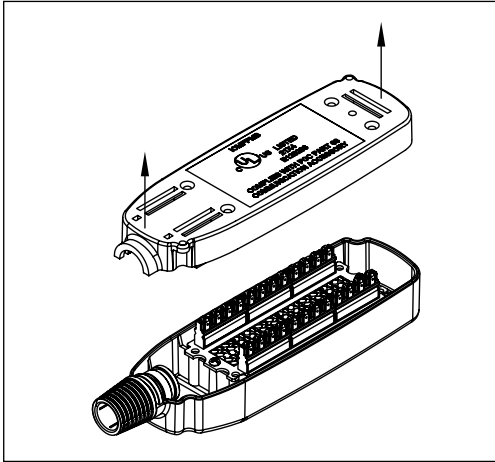


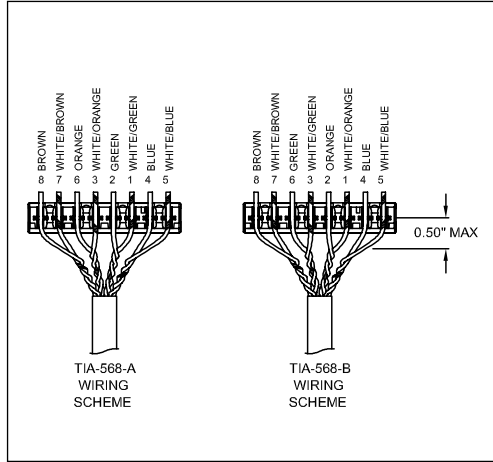


Category 5e/6 Mobile Patch Box

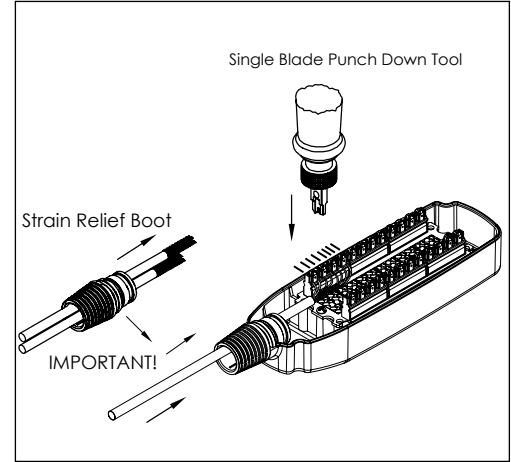
INSTALLATION INSTRUCTIONS



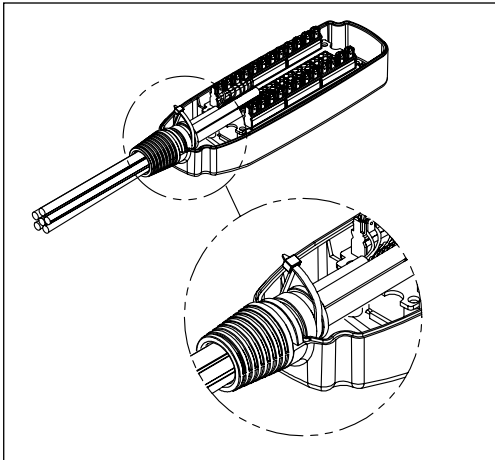
Step 1: Disassemble lower body from upper body.



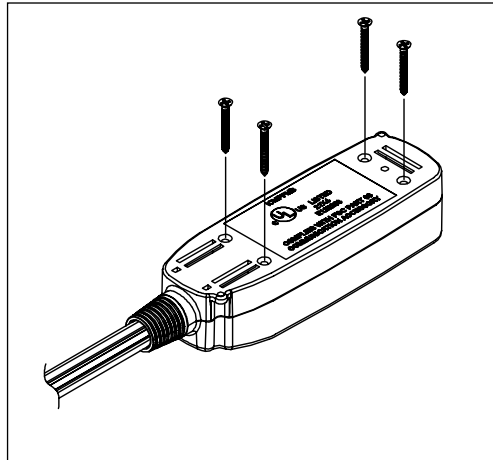
Step 2: Determine between TIA-568-A and TIA-568-B wiring. **IMPORTANT:** For maximum performance, minimize the untwisting of individual pairs to 0.50" maximum.



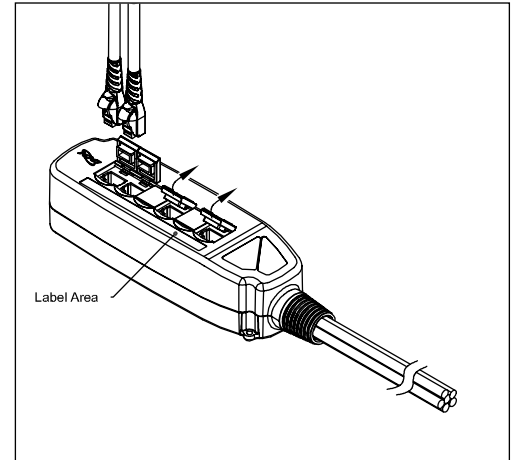
Step 3: Place upper body face down on a flat and firm surface. Pass cable through the strain relief boot. Lay the wires on the 110-type IDC and terminate them using a single blade punch down tool.



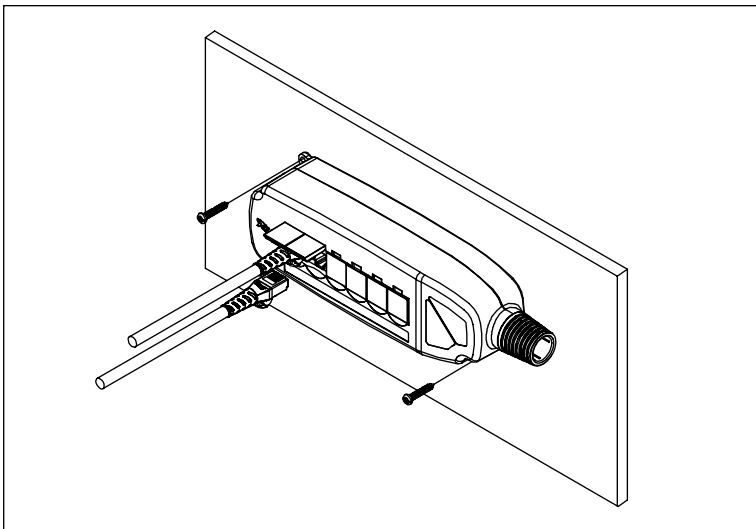
Step 4: Use the supplied cable ties to secure the cable bundle.



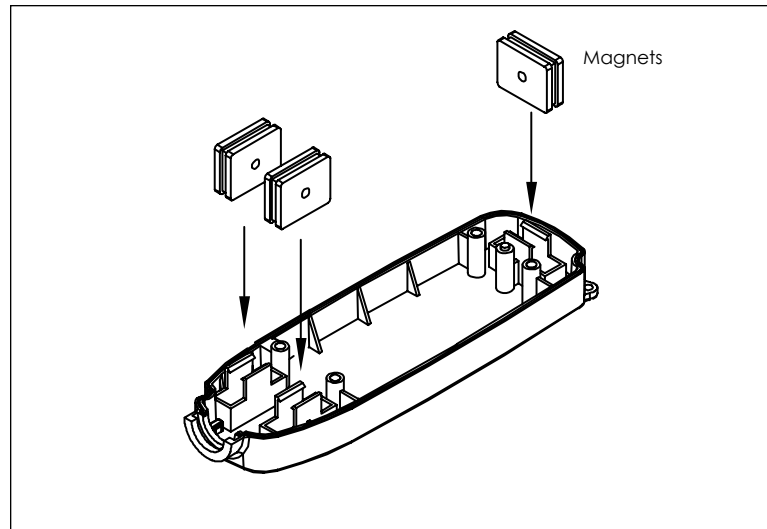
Step 5: Place lower body on top of upper body. Make sure strain relief is properly seated. Use screws to secure.



Step 6: To access ports, flip dust covers open. Dust cover can be completely removed and a label may be placed in area provided.



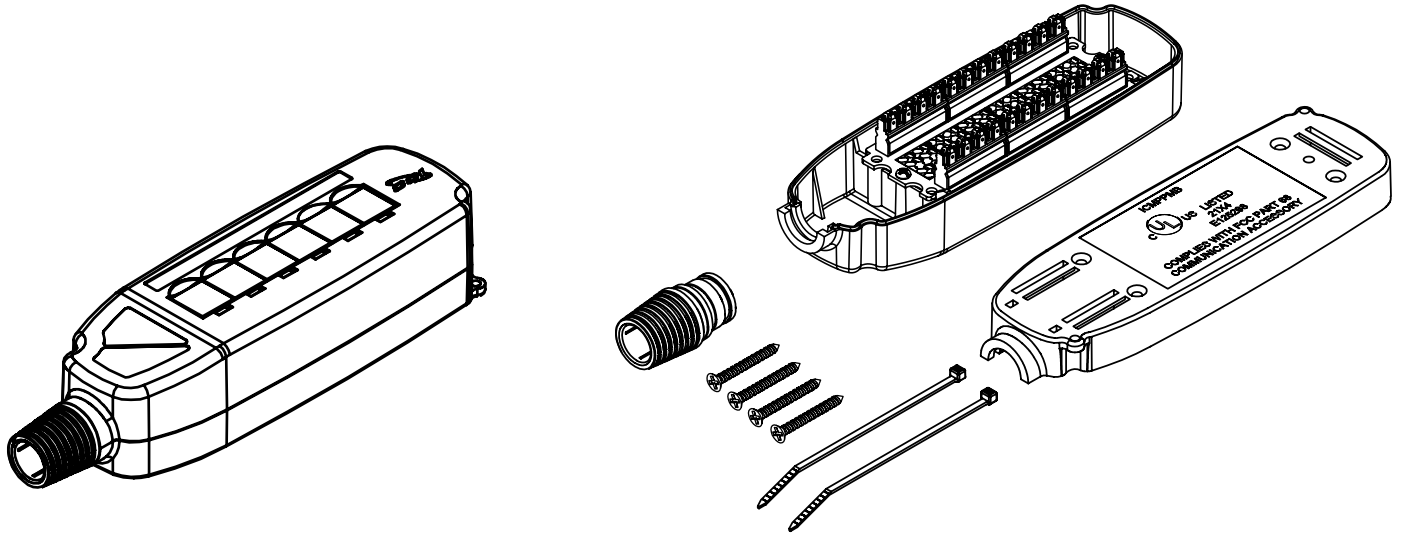
Optional: Use #6 screws (not sold by ICC) to mount box to a wall or flat surface.



Optional: To mount the mobile patch box on a metal surface, install magnets (not included) into open slots inside the lower body.

Category 5e/6 Mobile Patch Box

INSTALLATION INSTRUCTIONS

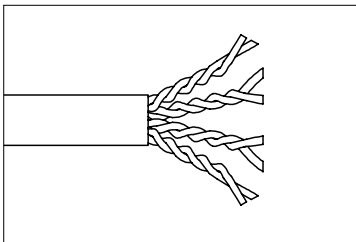


Item #	Description	Screws	Cable Ties
ICMPPMB506	CAT 5e, 6-Port, RJ-45, Loaded	4	2
ICMPPMB606	CAT 6, 6-Port, RJ-45, Loaded	4	2

FEATURES AND BENEFITS

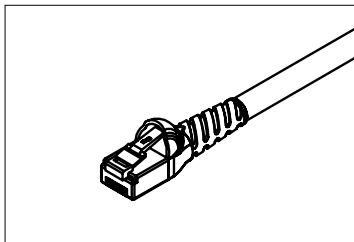
- Solution for areas where fixed outlet connectivity is unavailable; such as offices, warehouses, trade shows, conferences and computer labs
- Provides up to six data ports
- Mounts on flat surfaces using screws or on metal surfaces using magnets
- Rugged body construction for durability
- Dust covers prevent debris from entering unused ports

OPTIONAL ACCESSORIES



Premise Cables

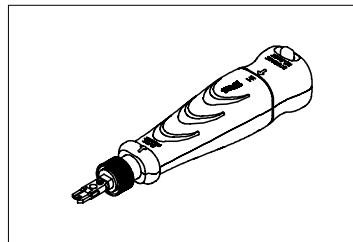
- ICCABP5Exx¹** 4-Pair, UTP, CMP, CAT 5e
- ICCABP6Exx¹** 4-Pair, UTP, CMP, CAT 6
- ICCABR5Exx²** 4-Pair, UTP, CMR, CAT 5e
- ICCABR6Exx²** 4-Pair, UTP, CMR, CAT 6
- Standard packaging: 1000 feet per EZ Pull Carton (305 meters)



Patch Cords

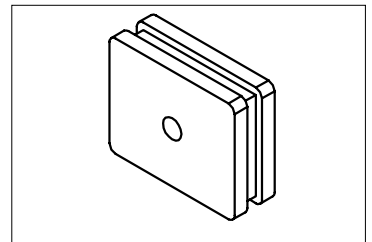
- ICPCSJzzxx¹** CAT 5e, 4 UTP, 24AWG
- ICPCSKzzxx¹** CAT 6, 4 UTP, 24AWG
- Slim boots fit narrow port spacing
- UL listed
- Factory tested and wired T568

¹xx denotes color - BK-Black, BL-Blue, GN-Green, GY-Gray, OR-Orange, RD-Red, WH-White, YL-Yellow
²z denotes length - 01, 03, 05, 07, 10, 14, 25 feet



Single Blade Punch-Down Tool

- ICACSPDT00** Single Blade Tool
- Designed for both 110-type IDC & 66 single-wire termination
- Both blades included
- Adjustable impact settings
- Comfortable grip



Magnets

- ICMAGBLOCK** 2 pcs./Pack
- For mounting on flat metal surfaces
- Works with multimedia boxes, surface mount boxes and mobile patch boxes

Color [xx¹] = BL-Blue, GY-Gray, WH-White, YL-Yellow
 Color [xx²] = BL-Blue, GY-Gray, WH-White, YL-Yellow, GN-Green

888-ASK-4ICC

csr@icc.com

icc.com