



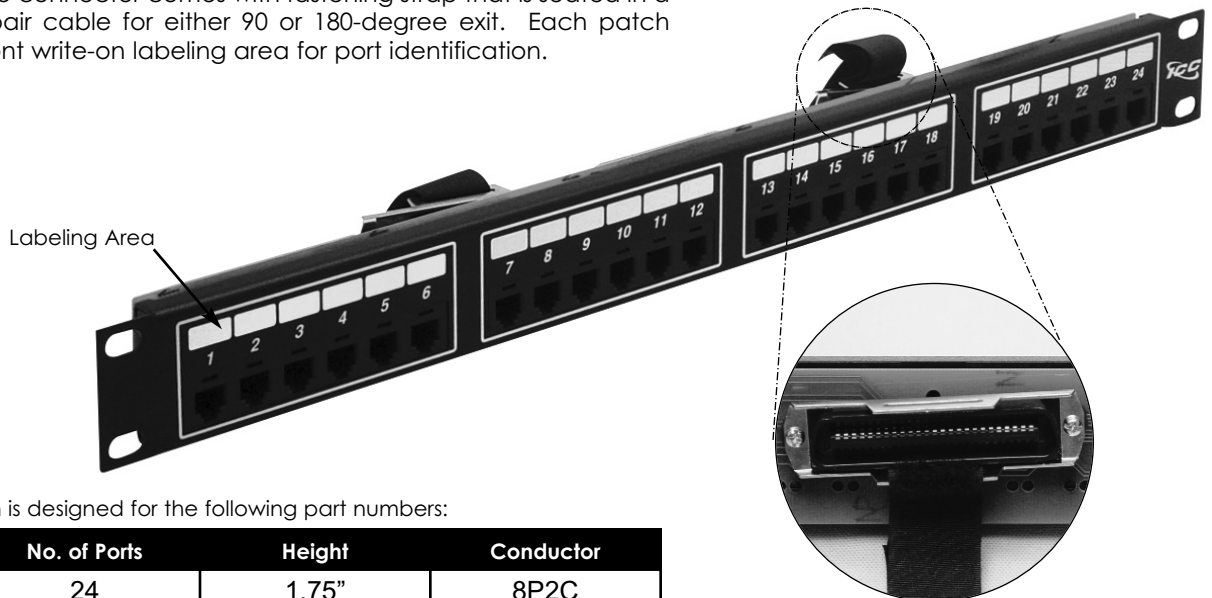
Telco Patch Panels

INSTALLATION INSTRUCTIONS

ICC Voice Grade Telco Patch Panels

ICC's new Telco-style 24 and 48-port patch panels consisting of 2 and 4-wire RJ-45 USOC-wiring scheme are ideal for PBX phone systems. Each patch panel connects to 24 or 48 RJ-45 patch cords on the front and link phone system with 50-pin Telco connectors on the back.

Each 50-pin male Telco connector comes with fastening strap that is seated in a socket to secure 25-pair cable for either 90 or 180-degree exit. Each patch panel also features front write-on labeling area for port identification.



Labeling Area

Rear Telco Connector

This installation instruction is designed for the following part numbers:

Item Number	No. of Ports	Height	Conductor
ICMPP24T2C	24	1.75"	8P2C
ICMPP48T2C	48	3.50"	8P2C
ICMPP24T4C	24	1.75"	8P4C
ICMPP48T4C	48	3.50"	8P4C

Purchase accessories for performance and value!

ICC recommends the following accessories below for fast and easy installations.



25-Pair Telco Cable

ICPCSTMMxx*

Male to male, 50-Pin Telco connectors, CAT 3 Telco cable

*xx = 05, 10, 15, 25, 50, 75, 100 feet in length
Note: To order 100 ft. use 00 for xx



25-Pair Telco Cable

ICPCSTFFxx*

Female to female, 50-Pin Telco connectors, CAT 3 Telco cable

*xx = 05, 10, 15, 25, 50, 75, 100 feet in length
Note: To order 100 ft. use 00 for xx



25-Pair Telco Cable

ICPCSTFMxx*

Female to male, 50-Pin Telco connectors, CAT 3 Telco cable

*xx = 05, 10, 15, 25, 50, 75, 100 feet in length
Note: To order 100 ft. use 00 for xx

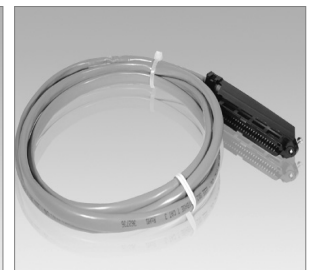


25-Pair Telco Cable

ICPCSTMBxx*

Male 50-Pin Telco connector to blunt, CAT 3 Telco cable

*xx = 05, 10, 15, 25 feet in length



25-Pair Telco Cable

ICPCSTFBxx*

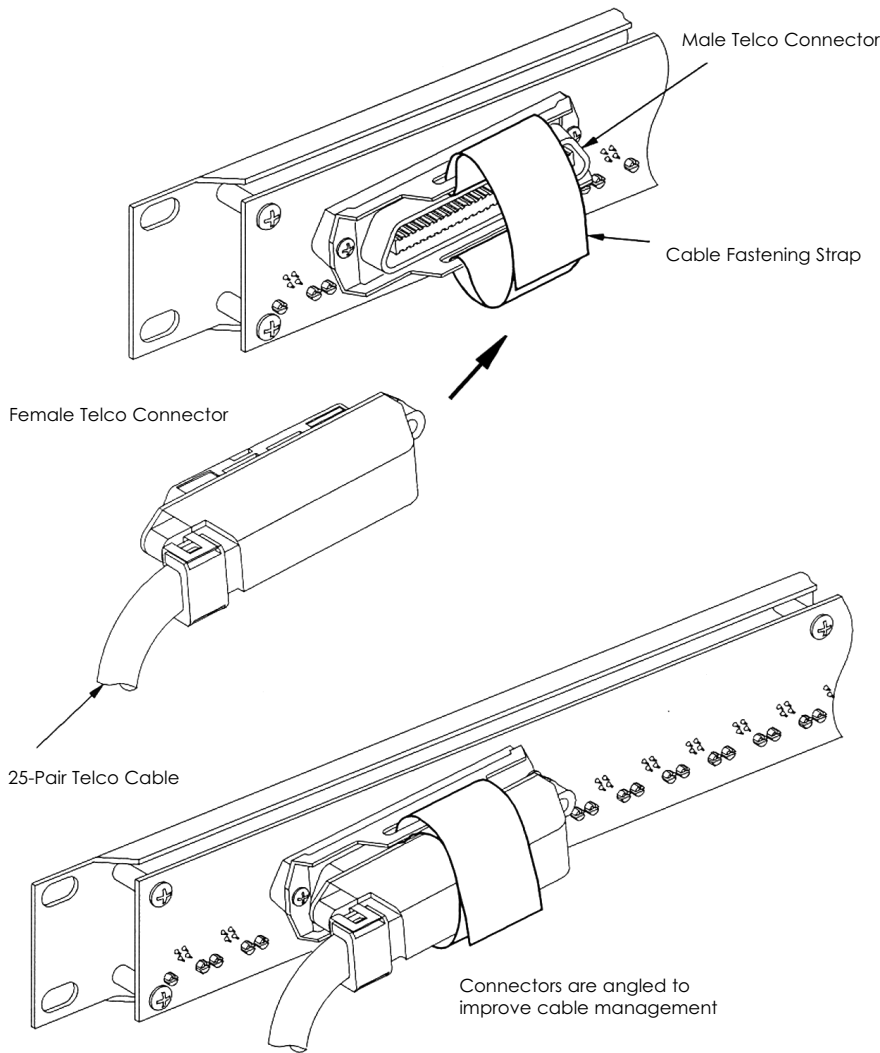
Female 50-Pin Telco connector to blunt, CAT 3 Telco cable

*xx = 05, 10, 15, 25 feet in length

PremiumProducts • ProvenPerformance • CompetitivePrices...ICC

Technical Support **888-ASK-4-ICC (275-4422)** • E-mail: csr@icc.com • Go on-line: www.icc.com

Installation Instructions



Step 1:

Loosen cable fastening strap without detaching it from metal bracket and remove dust cover from male Telco connector.

Step 2:

Insert female Telco connector into cable fastening strap.

Step 3:

Plug female Telco connector into male Telco connector.

Step 4:

Tighten cable fastening strap to secure the connectors.

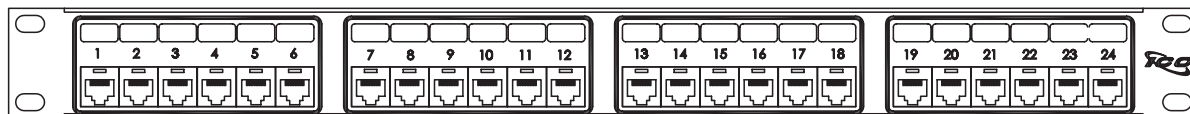
Wiring Chart 8P2C

	TELCO 50PIN 8P2C		
RJ45	1	4	5
PORT 1	1	4	5
	26		
PORT 2	2	4	5
	27		
PORT 3	3	4	5
	28		
PORT 4	4	4	5
	29		
PORT 5	5	4	5
	30		
PORT 6	6	4	5
	31		
PORT 7	7	4	5
	32		
PORT 8	8	4	5
	33		
PORT 9	9	4	5
	34		
PORT 10	10	4	5
	35		
PORT 11	11	4	5
	36		
PORT 12	12	4	5
	37		
PORT 13	13	4	5
	38		
PORT 14	14	4	5
	39		
PORT 15	15	4	5
	40		
PORT 16	16	4	5
	41		
PORT 17	17	4	5
	42		
PORT 18	18	4	5
	43		
PORT 19	19	4	5
	44		
PORT 20	20	4	5
	45		
PORT 21	21	4	5
	46		
PORT 22	22	4	5
	47		
PORT 23	23	4	5
	48		
PORT 24	24	4	5
	49		
-	25		
	50	OPEN	

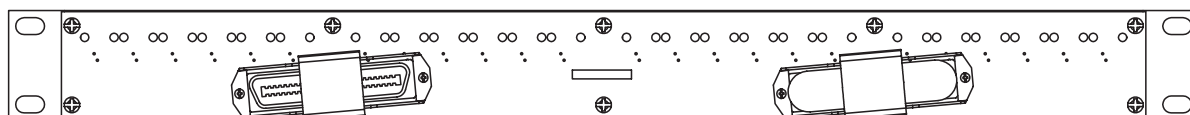
Wiring Chart 8P4C

	TELCO 50PIN 8P4C		
RJ45	27	3	4
PORT 1	27	3	4
	26	5	
	2	6	
PORT 2	29	3	4
	3	4	5
	28	5	6
	4	6	
PORT 3	31	3	4
	5	4	5
	30	5	6
	6	6	
PORT 4	33	3	4
	32	4	5
	8	5	6
	35	3	4
	9	4	5
PORT 5	34	5	6
	10	6	
PORT 6	37	3	4
	11	4	5
	36	5	6
	12	6	
PORT 7	39	3	4
	13	4	5
	38	5	6
	14	6	
PORT 8	41	3	4
	15	4	5
	40	5	6
	16	6	
PORT 9	43	3	4
	17	4	5
	42	5	6
	18	6	
	45	3	4
	19	4	5
PORT 10	44	5	6
	20	6	
	47	3	4
	21	4	5
PORT 11	46	5	6
	22	6	
	49	3	4
	23	4	5
PORT 12	48	5	6
	24	6	
-	25		
	50	OPEN	

	TELCO 50PIN 8P4C		
RJ45	27	3	4
PORT 13	27	3	4
	26	5	6
	2	6	
PORT 14	29	3	4
	3	4	5
	28	5	6
	4	6	
PORT 15	31	3	4
	5	4	5
	30	5	6
	6	6	
PORT 16	33	3	4
	32	4	5
	8	5	6
	35	3	4
	9	4	5
PORT 17	34	5	6
	10	6	
PORT 18	37	3	4
	11	4	5
	36	5	6
	12	6	
PORT 19	39	3	4
	13	4	5
	38	5	6
	14	6	
PORT 20	41	3	4
	15	4	5
	40	5	6
	16	6	
PORT 21	43	3	4
	17	4	5
	42	5	6
	18	6	
	45	3	4
	19	4	5
PORT 22	44	5	6
	20	6	
	47	3	4
	21	4	5
PORT 23	46	5	6
	22	6	
	49	3	4
	23	4	5
PORT 24	48	5	6
	24	6	
-	25		
	50	OPEN	



Front View



Rear View

PremiumProducts • ProvenPerformance • CompetitivePrices...ICC

Technical Support 888-ASK-4-ICC (275-4422) • E-mail: csr@icc.com • Go on-line: www.icc.com