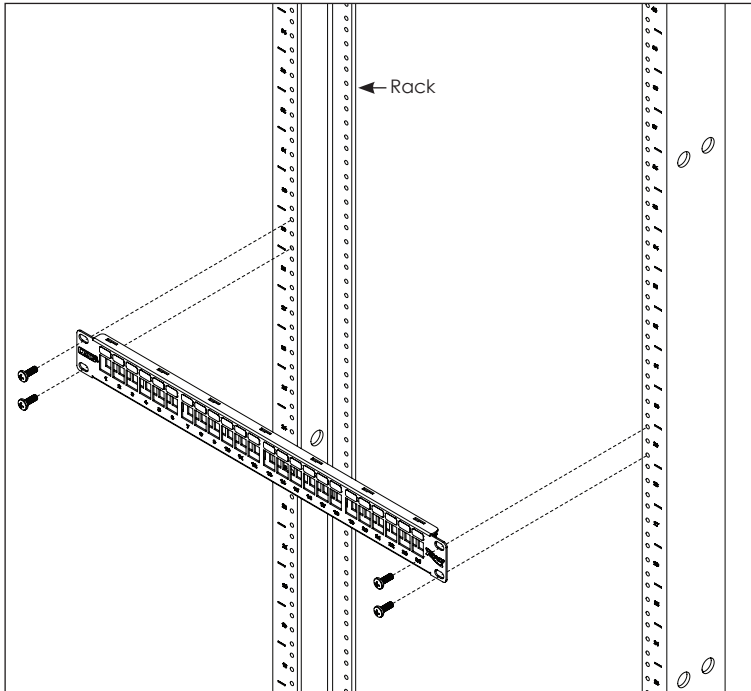


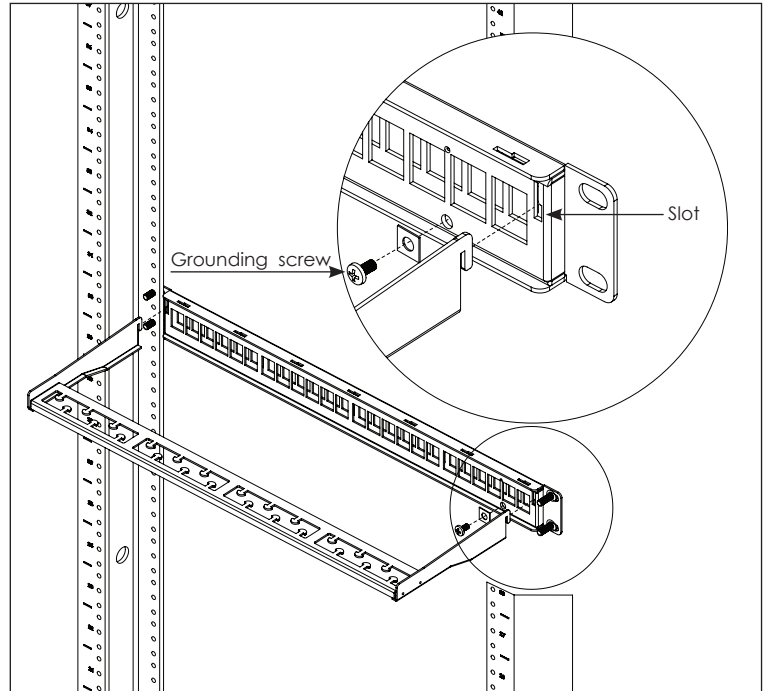


# Blank Patch Panel for Category 6A FTP 10G, 24-Port, 1 RMS

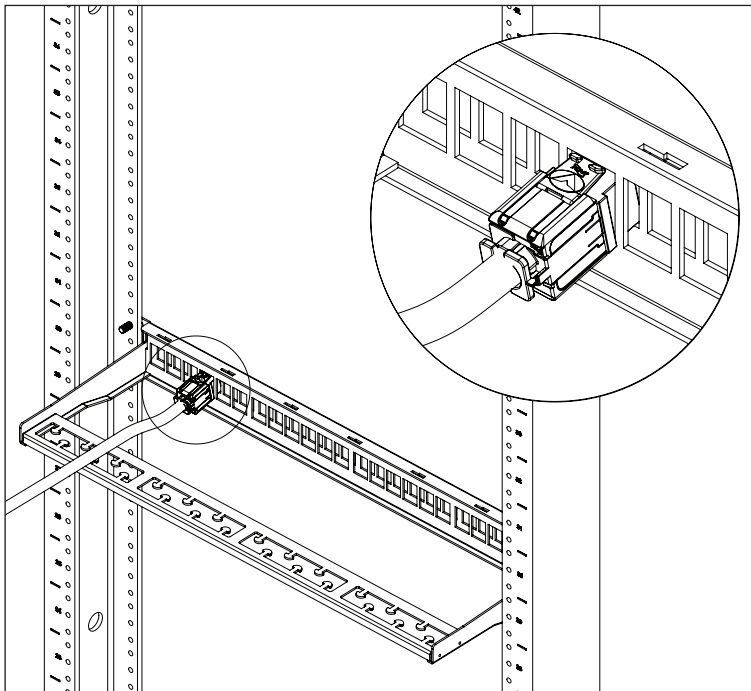
## INSTALLATION INSTRUCTIONS



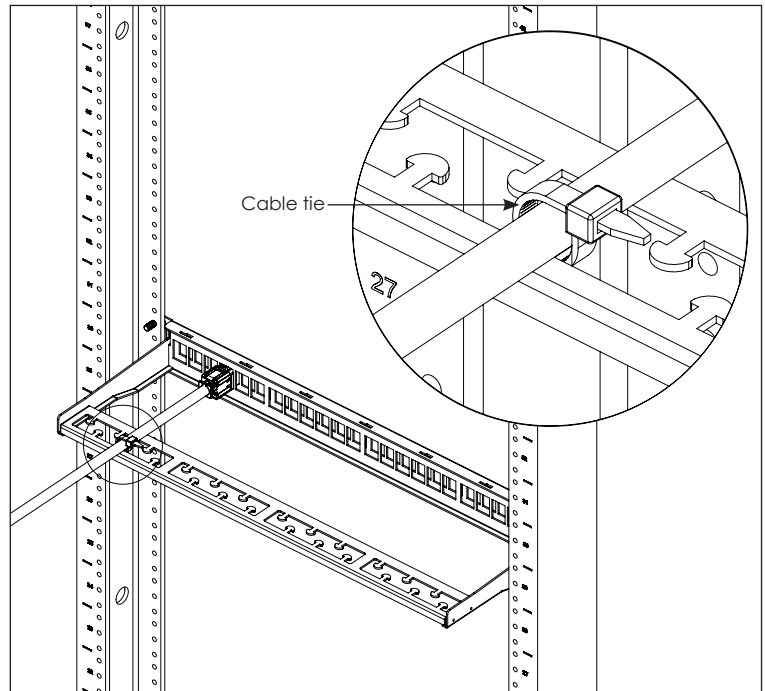
Step 1: Mount the patch panel to the rack using four (4) #12-24 rack screws.



Step 2: Install the cable management bar onto the rear of the patch panel. Align the tabs on both sides and push the bracket downward until fully seated. Use the grounding screw (included) to attach grounding wire (not included).



Step 3: Insert the CAT 6A FTP modular connector into a port on the patch panel. Note: Inspect the connector to ensure it is fully seated, and the front is flush with the panel.

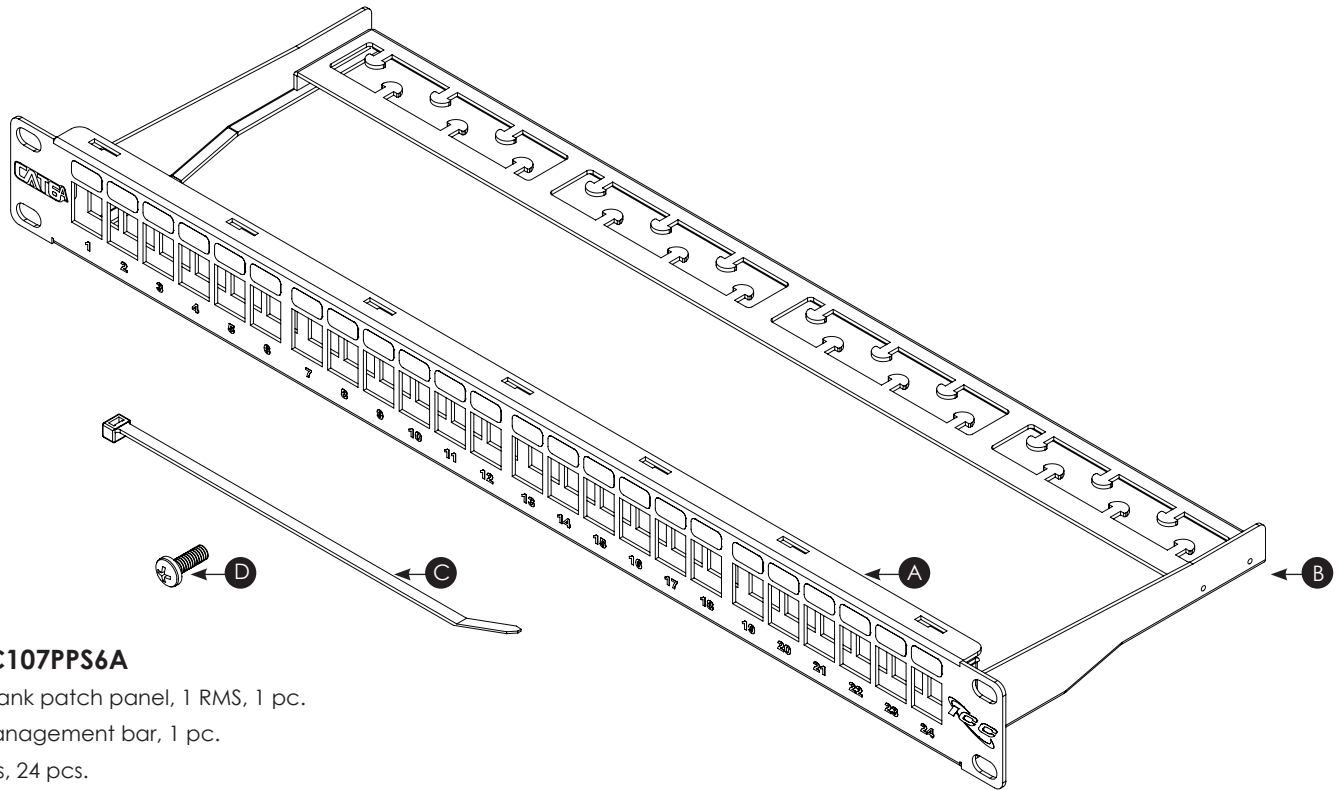


Step 4: Secure the cable to the cable management bar using a nylon cable tie. Note: A slot on the bar allows you to insert and secure the tie.



# Blank Patch Panel for Category 6A FTP 10G, 24-Port, 1 RMS

## INSTALLATION INSTRUCTIONS



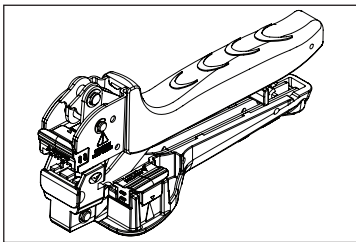
### Part No. IC107PPS6A

- A** 24-Port blank patch panel, 1 RMS, 1 pc.
- B** Cable management bar, 1 pc.
- C** Cable ties, 24 pcs.
- D** #12-24 x 5/8 rack screws, 4 pcs.

## FEATURES AND BENEFITS

- Panel is configurable with up to 24 CAT 6A FTP high density (HD) modular connectors
- Suitable for applications that required electromagnetic (EMI) and radio frequency interference (RFI) protection
- Panel comes with a cable management bar to support terminated cable from the rear
- Mounts on standard EIA 19" wide racks or wall mountable equipment

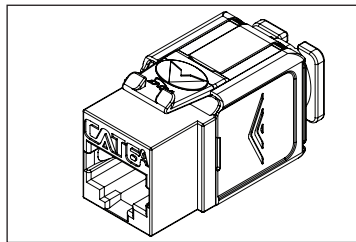
## OPTIONAL ACCESSORIES



JackEasy™ Termination Tool

### ICACSPDTEH

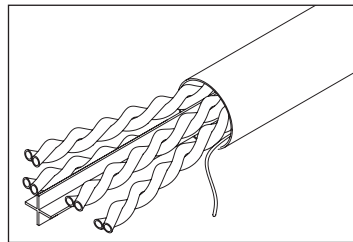
- Works with HD and EZ connectors
- Terminates all 4 pairs of wires
- Both blades included
- Sturdy metal body
- Anti-slip grip



CAT 6A FTP Modular Connectors

### IC1078S6A0

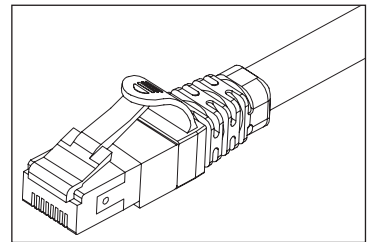
- 8P8C
- Rear split-back IDC
- Shielded housing
- 50 micro-inch gold plated contacts



CAT 6A FTP Premise Cables

### ICCABP6FBL      FTP/CMF ICCABR6FBL      FTP/CMR

- 4-Pair, 23 AWG
- Solid copper cable
- Designed with an X separator
- 1000 feet per reel
- Shielded jacket



CAT 6A FTP Patch Cords

### ICPCSGzzxx<sup>1</sup>

- 4-Pair, 26 AWG
- Stranded conductors
- 360° shielding from EMI
- Factory tested and wired T568

Length (zz<sup>1</sup>) = 03, 05, 07, 10, 15, 25 feet  
Color (xx<sup>1</sup>) = WH, BL, YL, BK