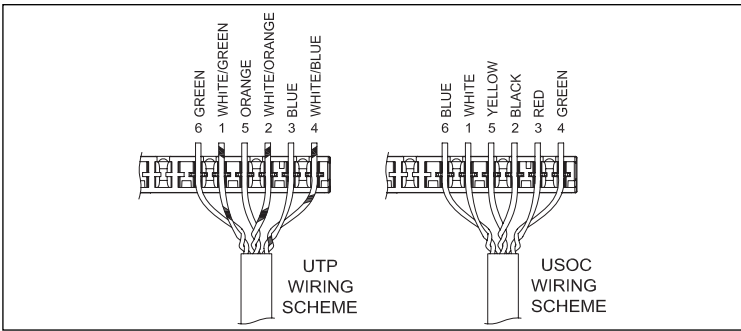


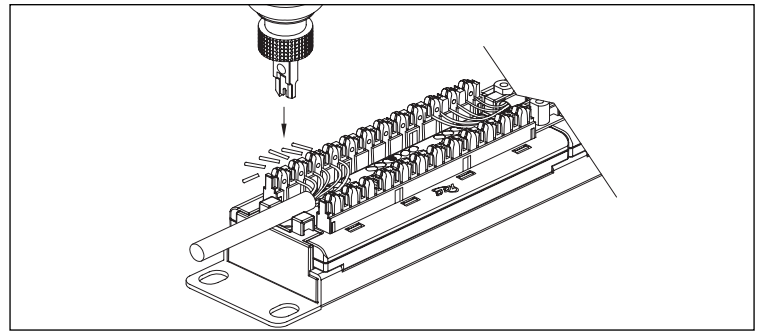


Voice Grade USOC Patch Panels

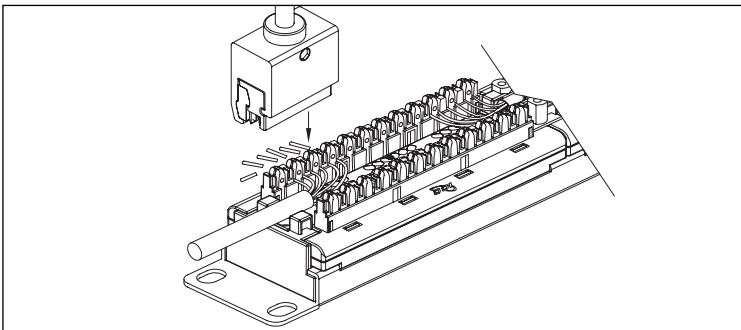
I N S T A L L A T I O N I N S T R U C T I O N S



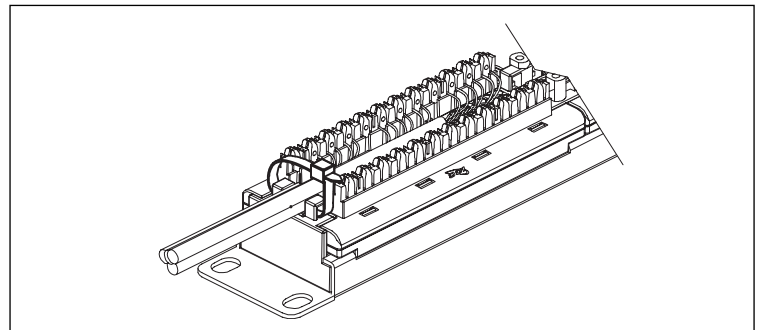
Step 1. Choose between UTP or USOC wiring configuration.



Step 2A. Terminate conductors using a single blade punch down tool.

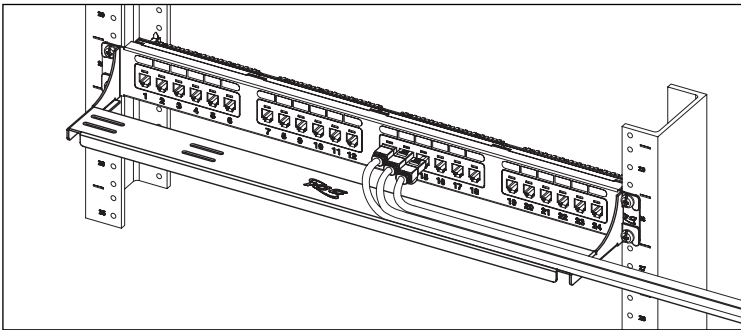


Step 2B. Terminate conductors using a four pair punch down tool.

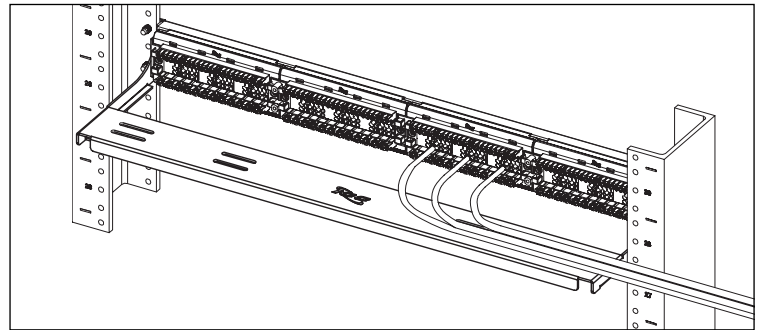


Step 3. Use cable ties to secure cable bundles.

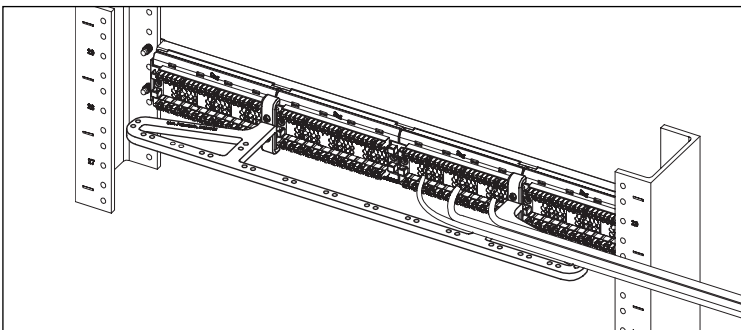
O P T I O N A L A C C E S S O R I E S



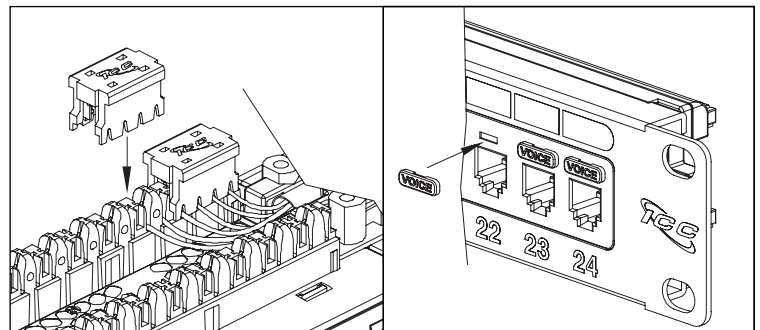
Optional. Install cable management in front of the patch panel.



Optional. Install metal cable management panel in rear of the patch panel.

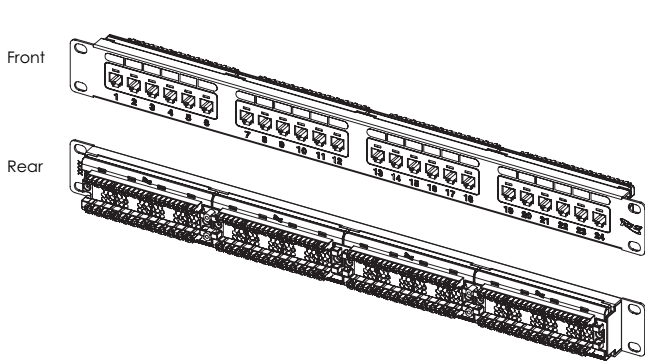


Optional. Install plastic cable management bar in rear of the patch panel.

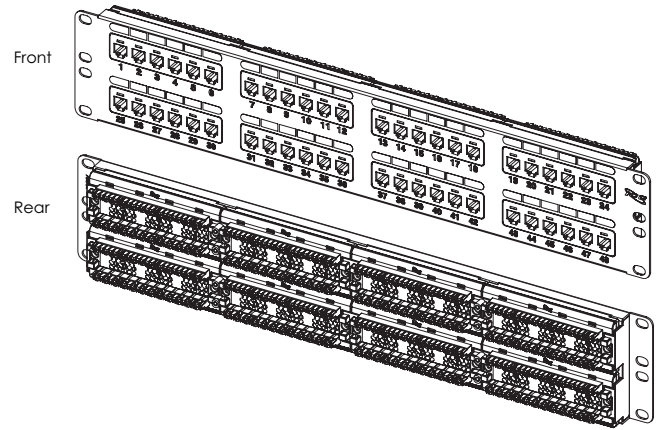


Optional. Install retention cap onto IDC. **Optional.** Identify each port with colored icons.

Voice Grade USOC Patch Panels



Item No.	Description	No. of Ports	Height (H)	#12-24 Screws
ICMPP024U6	Voice	24	1.75"	4

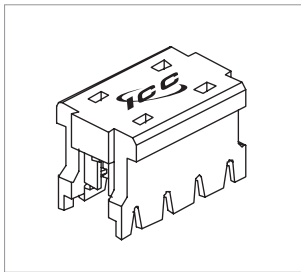


Item No.	Description	No. of Ports	Height (H)	#12-24 Screws
ICMPP048U6	Voice	48	3.50"	8

F E A T U R E S & B E N E F I T S

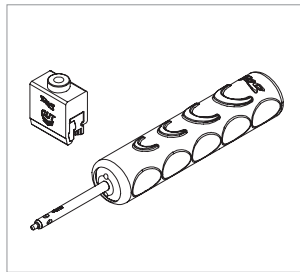
- 6-position 6-conductor ports for USOC voice connectivity applications
- True 110 IDC termination for reduced installation time and improved wire retention
- Meets FCC Part 68, 50 micro inch gold plating on all modular contacts for corrosion resistance and multiple insertions durability
- UL listed

O P T I O N A L A C C E S S O R I E S



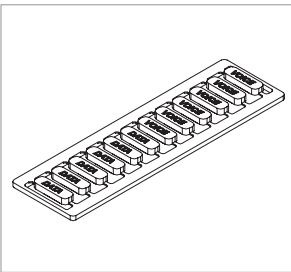
Retention Caps
IC110TC450 50 pcs

- Protects wires and prevents debris
- Works with patch panels



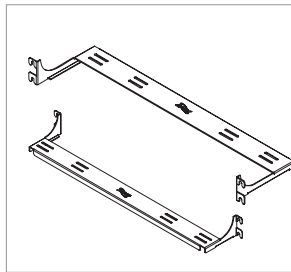
50kgs 110 Punch-Down Tool
ICACSPDT04 Tool Handle
ICACS04PHS 4-Pair Tool Head

- For use with 110 wiring blocks & patch panels
- Anti-slip rubber grip
- Tool and head sold separately



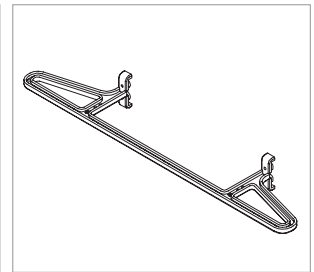
Patch Panel Color Icons
ICMPPSC1xx* Voice & Data, 6 ea
ICMPPICDxx* Data, 12 pcs
ICMPPICVxx* Voice, 12 pcs

- Each set includes 12 icons
- For port identification



Extended Bracket Panel 6-Pack
ICCMSFCMC3 Front, 3" Deep
ICCMSRCMC5 Rear, 5" Deep

- 6 brackets per box
- Provides cable support
- Strong metal construction
- No additional rack mount spaces used



Cable Management Bar
ICMPP25CMB

- Mountable on the back of 110-type patch panel for rear cable support
- ABS plastic for durability