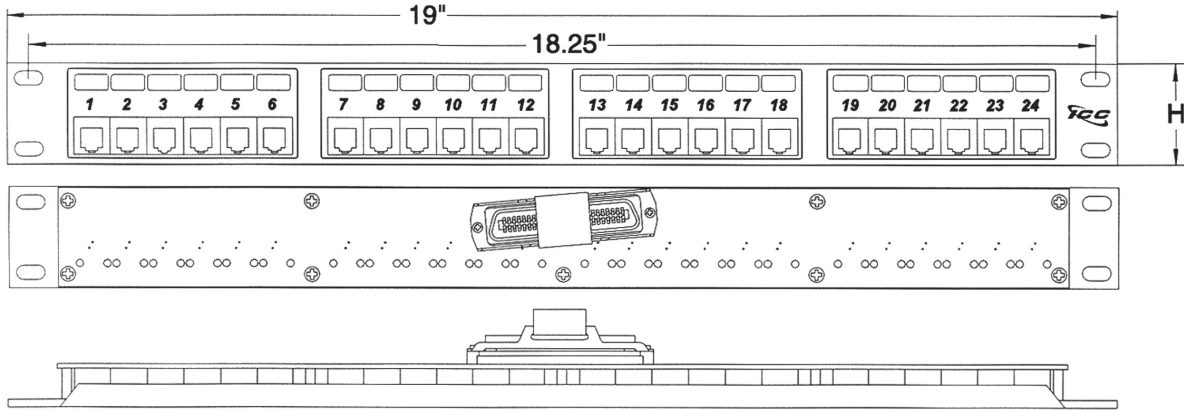


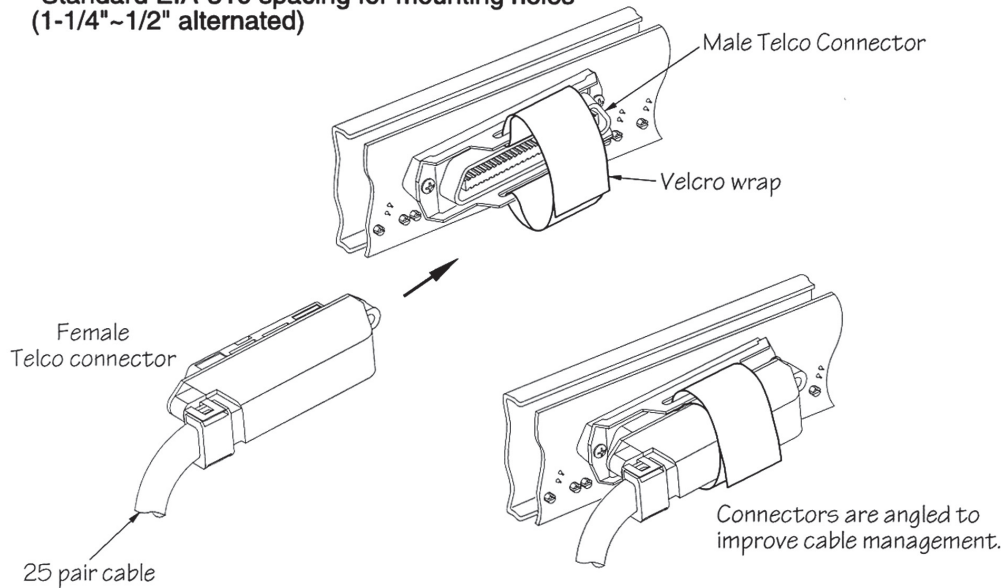


Installation Instructions

Patch Panel- 50 Pin Telco to 6 Pos. 2 Cond. Jack (USOC)



*Standard EIA-310 spacing for mounting holes
(1-1/4"~1/2" alternated)



USOC, 2 COND. Wiring Diagram

TELCO 50 POS	JACK 6 POS 2 COND
26	4
1	3
27	4
2	3
28	4
3	3
29	4
4	3
30	4
5	3
31	4
6	3
32	4
7	3
33	4
8	3
34	4
9	3
35	4
10	3
36	4
11	3
37	4
12	3
38	4
13	3
39	4
14	3
40	4
15	3
41	4
16	3
42	4
17	3
43	4
18	3
44	4
19	3
45	4
20	3
46	4
21	3
47	4
22	3
48	4
23	3
49	4
24	3
50	OPEN
25	OPEN

NO. OF PORTS- 24

INSTRUCTIONS:

1. Loosen Velcro wrap without detaching it from metal bracket and remove dust cover from male Telco connector.
2. Insert female Telco connector into Velcro wrap.
3. Plug female Telco connector into male Telco connector.
4. Tighten Velcro wrap to secure the connectors.

ITEM NO.	NO. OF PORTS	H
ICMPP024T2	24	1.75"
ICMPP048T2	48	3.50"