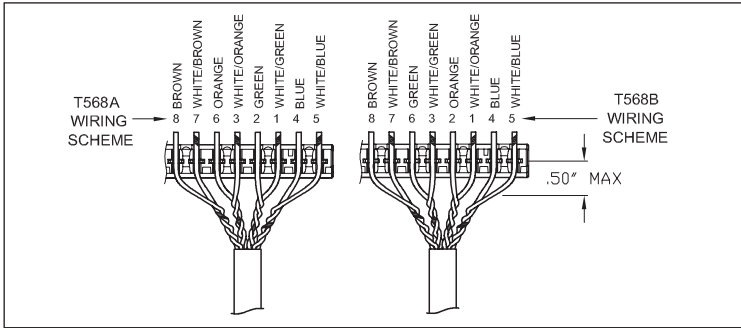


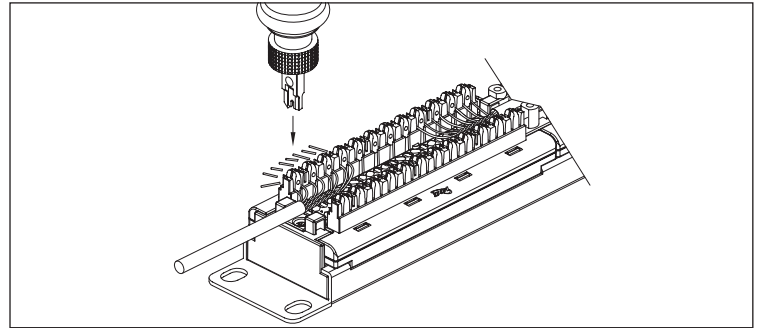


# CAT 6 & CAT 5e Data Patch Panels

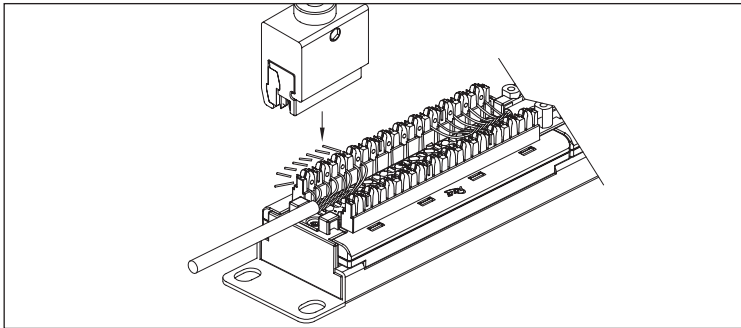
## INSTALLATION INSTRUCTIONS



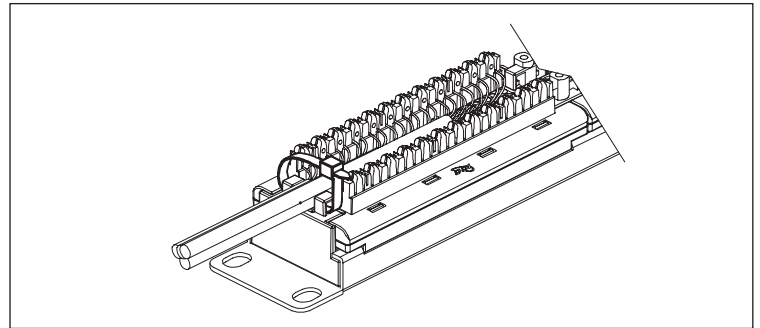
**Step 1.** Choose between T568A or T568B wiring configuration.



**Step 2A.** Terminate conductors using a single blade punch down tool.

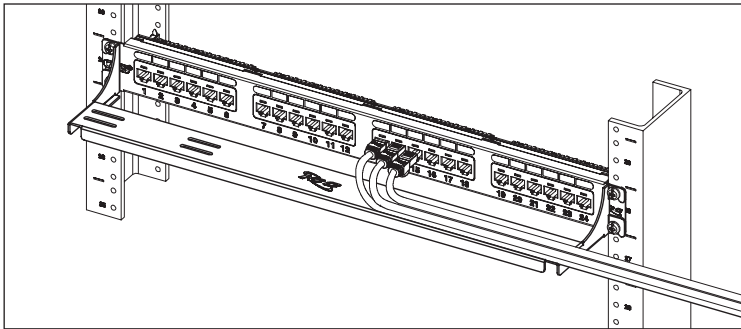


**Step 2B.** Terminate conductors using a four pair punch down tool.

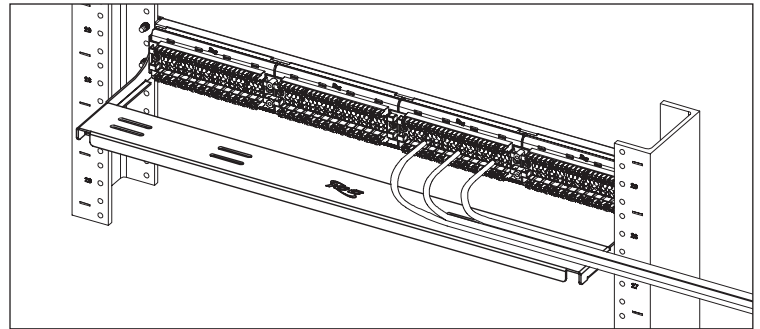


**Optional:** Use cable ties to secure cable bundles.

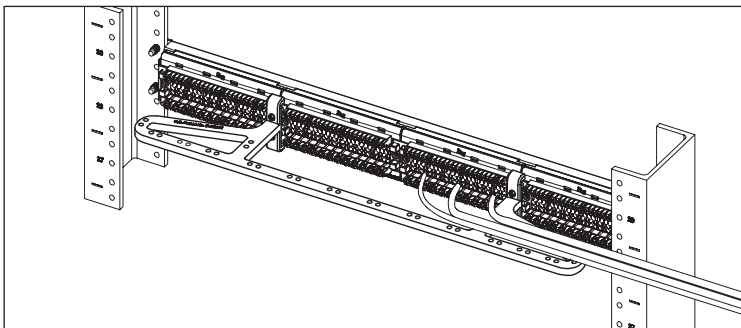
## OPTIONAL ACCESSORIES



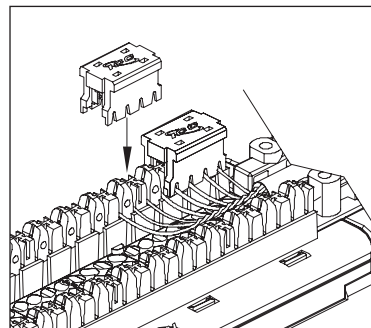
**Optional.** Install cable management in front of the patch panel.



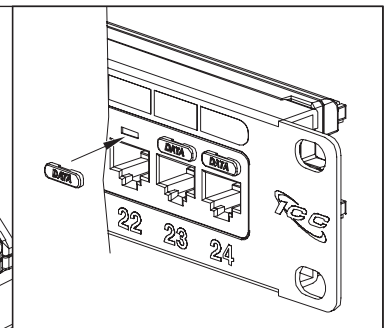
**Optional.** Install metal cable management panel in rear of the patch panel.



**Optional.** Install plastic cable management bar in rear of the patch panel.



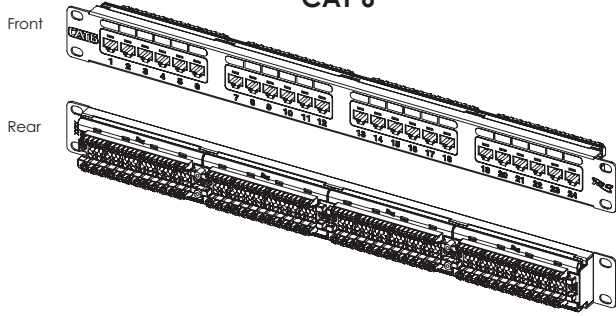
**Optional.** Install retention cap onto IDC.



**Optional.** Identify each port with colored icons.

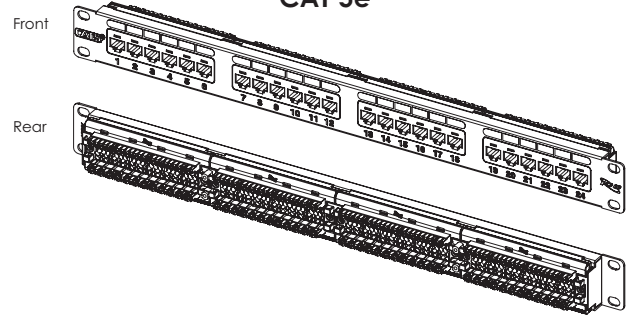
# CAT 6 & CAT 5e Data Patch Panels

## CAT 6

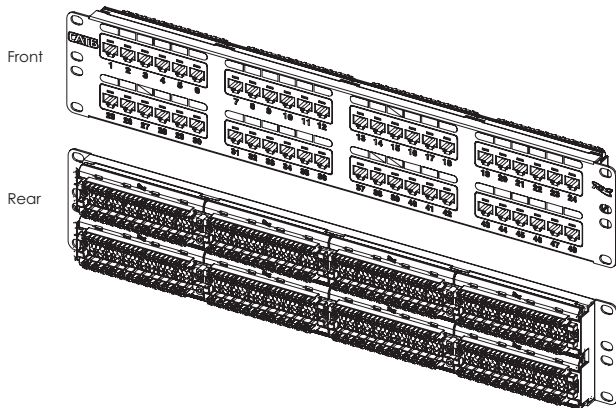


Item No.	Description	Screws
ICMPP2460V	CAT 6, 24-Port, 1 RMS, 6-Pack	24
ICMPP02460	CAT 6, 24-Port, 1 RMS, Single-Pack	4

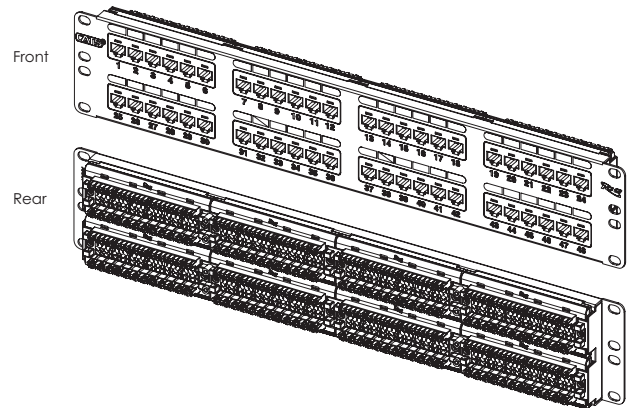
## CAT 5e



Item No.	Description	Screws
ICMPP245EV	CAT 5e, 24-Port, 1 RMS, 6-Pack	24
ICMPP0245E	CAT 5e, 24-Port, 1 RMS, Single-Pack	4



Item No.	Description	Screws
ICMPP4860V	CAT 6, 48-Port, 2 RMS, 6-Pack	24
ICMPP04860	CAT 6, 48-Port, 2 RMS, Single-Pack	4

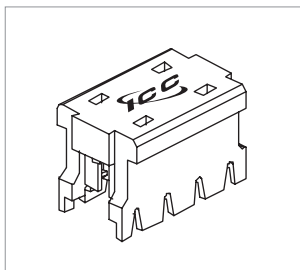


Item No.	Description	Screws
ICMPP485EV	CAT 5e, 48-Port, 2 RMS, 6-Pack	24
ICMPP0485E	CAT 5e, 48-Port, 2 RMS, Single-Pack	4

## F E A T U R E S & B E N E F I T S

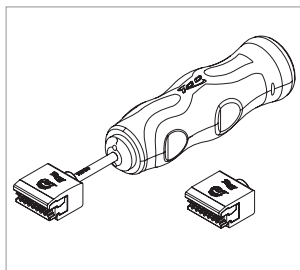
- Enhanced crosstalk cancellation and reduced return loss for high bandwidth network requirements
- Exceeds ANSI/TIA-568 connecting hardware Component Rating requirements
- True 110 IDC termination for reduced installation time and improved wire retention
- Meets FCC Part 68, 50 micro inch gold plating on all modular contacts for corrosion resistance and multiple insertions
- UL listed

## O P T I O N A L A C C E S S O R I E S



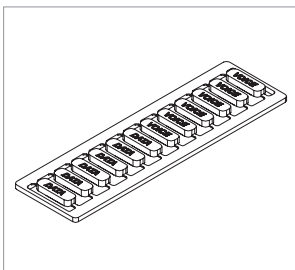
**Retention Caps**  
IC110TC450 50 pcs

- Protects wires and prevents debris
- Works with patch panels



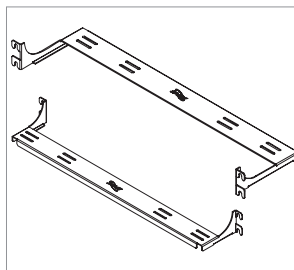
**110 4-Pair Punch-Down Tool**  
ICACSPDT4P 4-Pair Tool  
ICACS04PH5 Replacement Blade

- Trims wires simultaneously
- 50 kgs impact force
- Anti-slip rubber grip



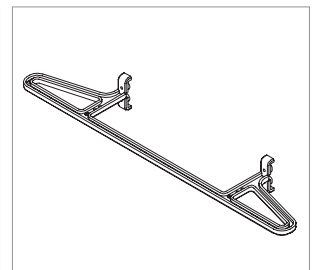
**Patch Panel Color Icons**  
ICMPPSC1xx\* Voice & Data, 6 ea  
ICMPPICDxx\* Data, 12 pcs  
ICMPPICVxx\* Voice, 12 pcs

- Each set includes 12 icons
- For port identification



**Extended Bracket Panel 6-Pack**  
ICCMSFCMC3 Front, 3" Deep  
ICCMSRCMC5 Rear, 5" Deep

- 6 brackets per box
- Provides cable support
- Strong metal construction
- No additional rack mount spaces used



**Cable Management Bar**  
ICMPP25CMB

- Mountable on the back of 110-type patch panel for rear cable support
- ABS plastic for durability