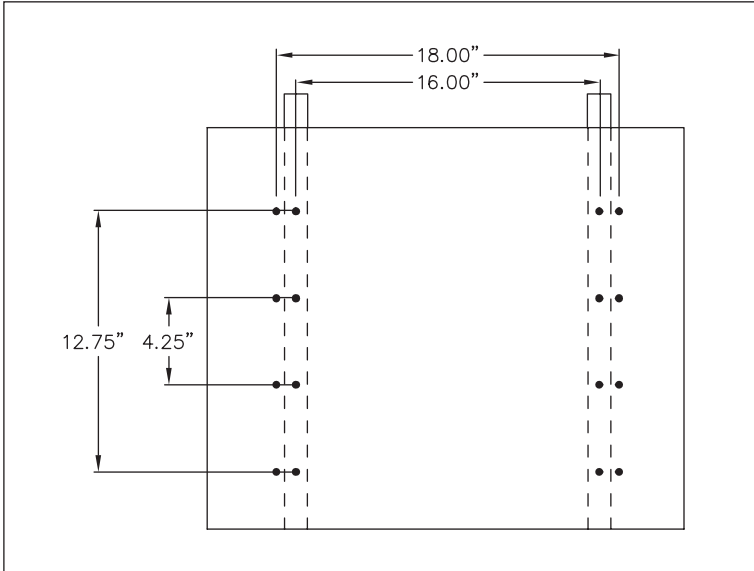




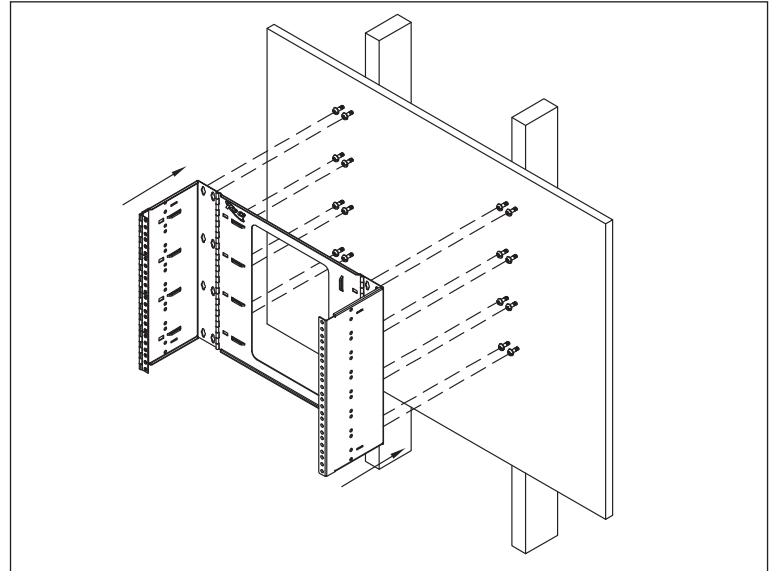
## 6" Depth EZ-FOLD™ Wall Mount Bracket, 8 RMS

### INSTALLATION INSTRUCTIONS

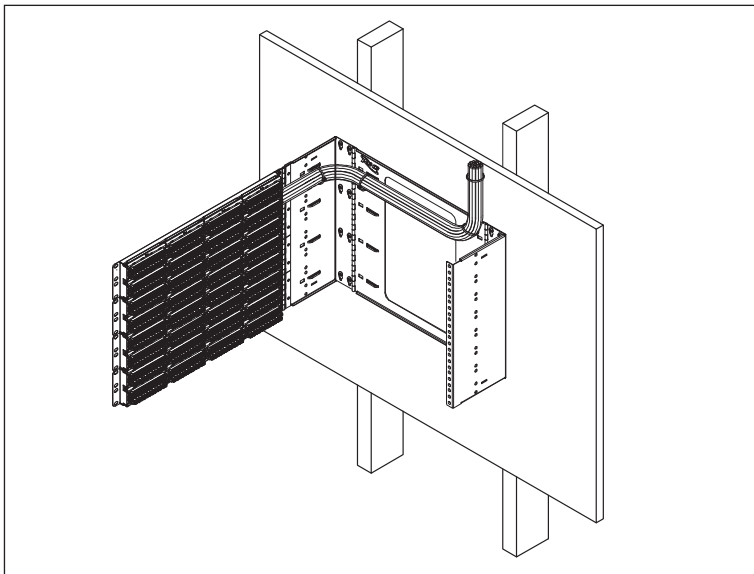


- Step 1. Pre-drill screws onto the wall surface, but do not tighten completely.
- Use inner mounting holes positioned at 16.00" to secure bracket to studs.
  - Use outer mounting holes positioned at 18.00" to secure bracket to board.

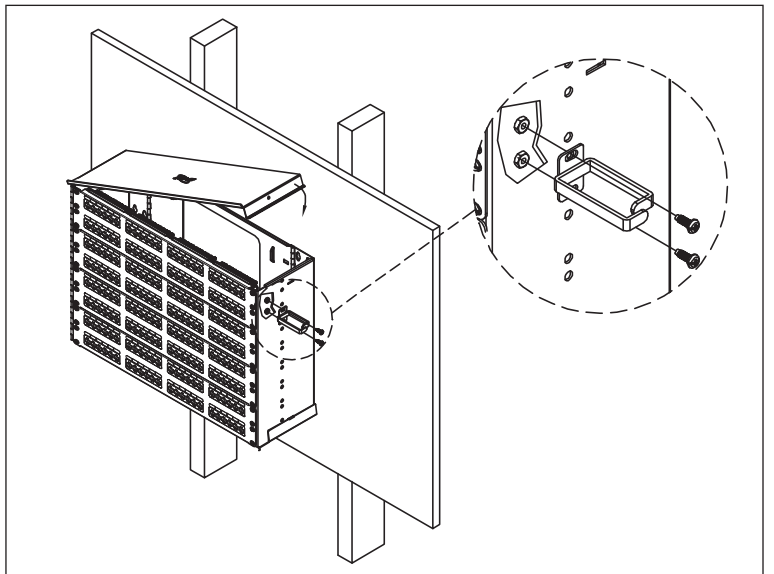
Note: Screws not included. It is recommended to use a level for accurate mounting.



- Step 2. Align mounting holes to the semi-tighten screws and mount the bracket. Tighten all screws securely before mounting equipment.



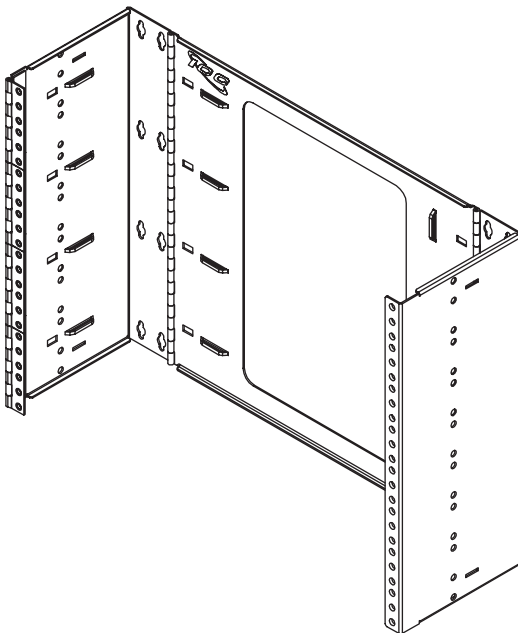
- Step 3. Route and secure cable bundle(s) to the bracket as shown.



1. Complete installation by installing covers on top and bottom of bracket.
2. Metal rings can be mounted along the sides of the bracket for cable management. Note: To secure the rings, use #12-24 machine screw nut with lock washer or #12-24 flange nut. (Not sold by ICC)

# 6" Depth EZ-FOLD™ Wall Mount Bracket, 8 RMS

## I N S T A L L A T I O N I N S T R U C T I O N S

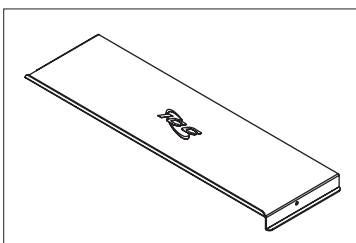


Item No.	Description	Rack Mount Spaces	Weight Capacity
ICCMSABR68	19.30" L X 14.00" H X 6" D	8	80 lbs

## F E A T U R E S A N D B E N E F I T S

- Made of heavy duty steel and supports up to 80 lbs. of equipment
- Hinged every 2 rack mount spaces for easy maintenance
- 6" depth to hold network and phone equipment
- Cable tie anchors are positioned throughout the bracket to help organize cable
- Compatible with standard 19" width equipment and EIA-310-D hole pattern

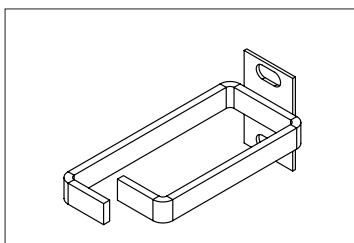
## O P T I O N A L A C C E S S O R I E S



**EZ-FOLD Wall Mount Bracket Cover**

**ICCMSHBCVR**

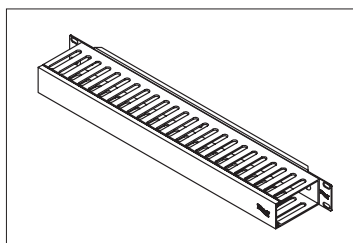
- Top cover
- Mounts on top
- Helps protect equipment and cables
- Strong steel construction



**Metal Cable Management Rings, 10 Pk**

**ICCMSCMPT1** 1.70" Single, Vertical

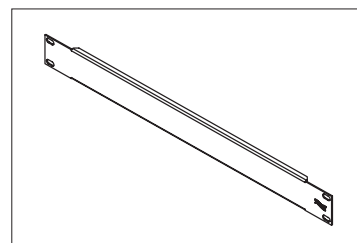
- ICCMSCMPT2** 3" Single, Vertical
- Metal construction for durability
  - Single sided rings



**Single Horizontal Finger Ducts**

**ICCMSCMA41** 1.58" H x 3.15" D, 1 RMS

- ICCMSCMA42** 3.15" H x 3.15" D, 2 RMS
- For front cable management
  - Durable steel base with plastic fingers
  - Includes slide-on cover



**Blank Panels**

**ICCMSCMPB1** 1.75" H x 19" W, 1 RMS

- ICCMSCMPB2** 3.50" H x 19" W, 2 RMS
- ICCMSCMPB3** 5.25" H x 19" W, 3 RMS
- Fills empty spaces between mounted equipment
  - Strong steel construction