



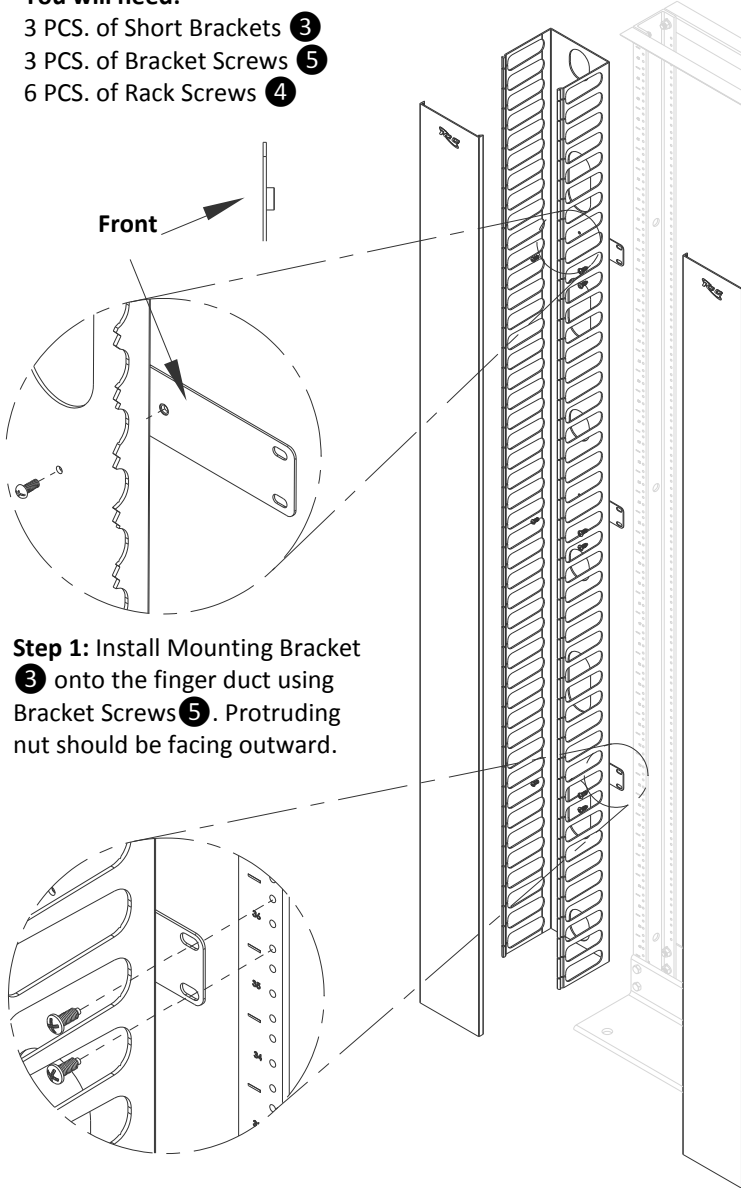
# Vertical Finger Duct, 2 Pack

## INSTALLATION INSTRUCTIONS

### To install on the side of rack:

#### You will need:

- 3 PCS. of Short Brackets ③
- 3 PCS. of Bracket Screws ⑤
- 6 PCS. of Rack Screws ④



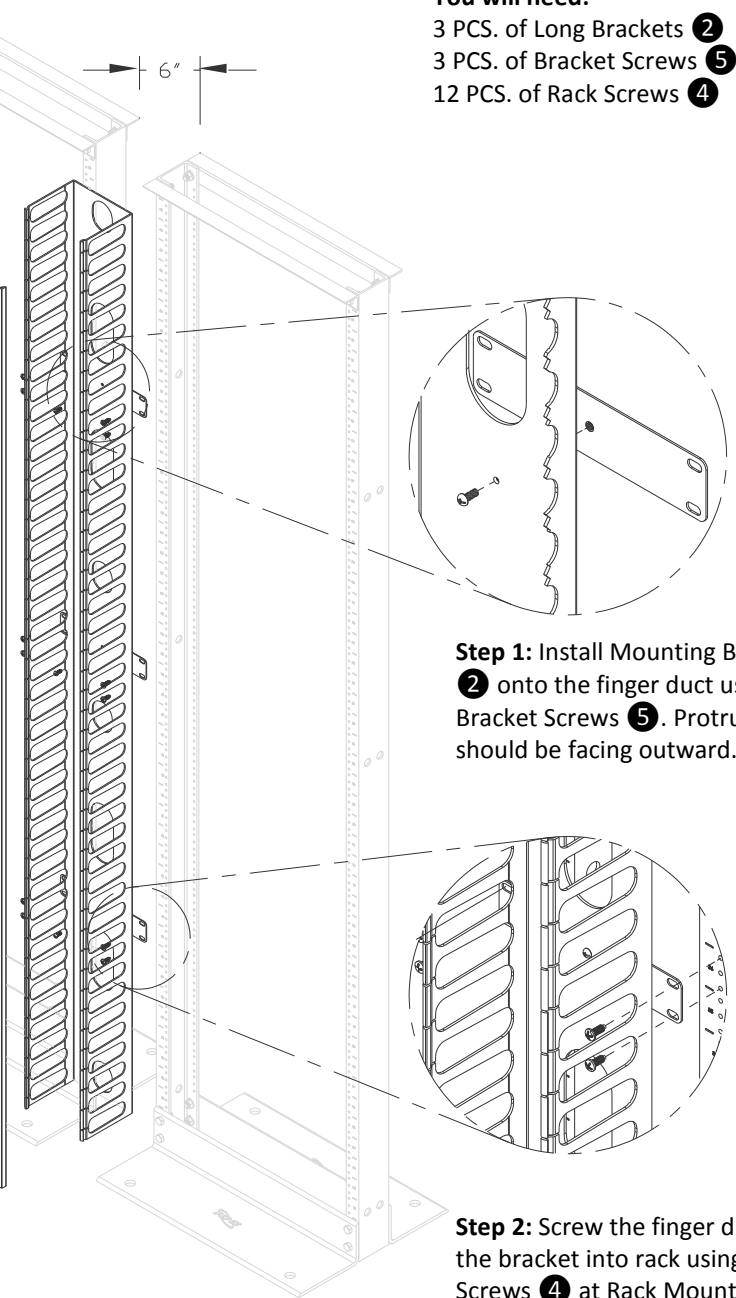
**Step 1:** Install Mounting Bracket ③ onto the finger duct using Bracket Screws ⑤. Protruding nut should be facing outward.

**Step 2:** Screw the finger duct with the bracket into rack using Rack Screws ④ at Rack Mount Space 36, 23, and 10

### To install between racks:

#### You will need:

- 3 PCS. of Long Brackets ②
- 3 PCS. of Bracket Screws ⑤
- 12 PCS. of Rack Screws ④



**Step 1:** Install Mounting Bracket ② onto the finger duct using Bracket Screws ⑤. Protruding nut should be facing outward.

**Step 2:** Screw the finger duct with the bracket into rack using Rack Screws ④ at Rack Mount Space 36, 23, and 10.

888-ASK-4ICC

[csr@icc.com](http://csr@icc.com)

[icc.com](http://icc.com)



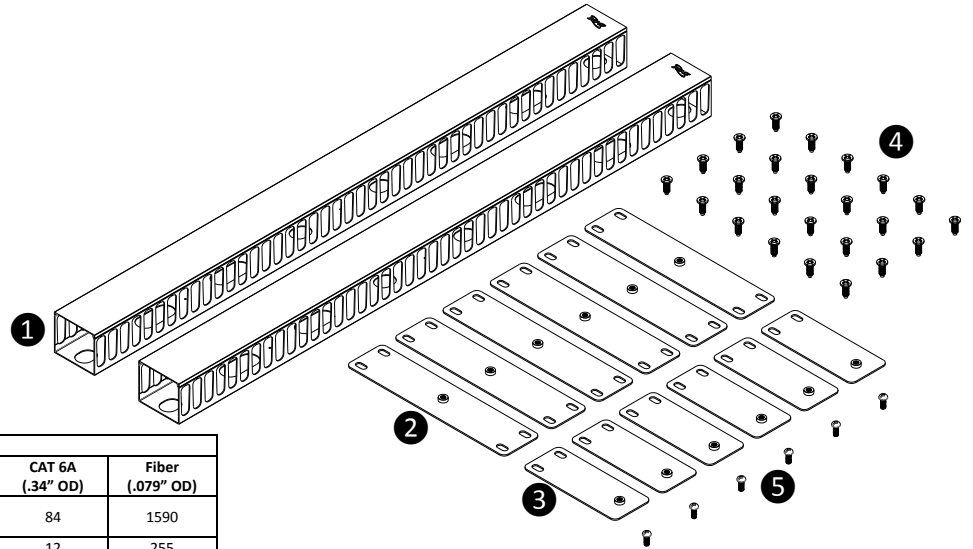
# Vertical Finger Duct, 2 Pack

## INSTALLATION INSTRUCTIONS

Part Number: ICCMSCMA73

Package include:

- ① 6" W x 5" D x 78" L Finger Duct with Covers 2 PCS
- ② Long Bracket 6 PCS
- ③ Short Bracket 6 PCS
- ④ Rack Screw 24 PCS
- ⑤ Bracket Screw 6 PCS



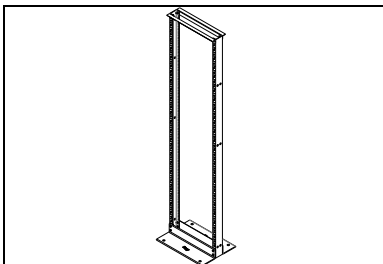
ESTIMATED CABLE FILL CAPACITIES						
Feature	Channel Depth (WxD)	Usable Area (In <sup>2</sup> )	CAT 5e (.18" OD)	CAT 6 (.225" OD)	CAT 6A (.34" OD)	Fiber (.079" OD)
6" Channel Size	5.75" X 5"	25.63 In <sup>2</sup>	220	183	84	1590
Finger Spacing	1.3" X 3.7"	4.31 In <sup>2</sup>	45	30	12	255
Large Pass-through	2.25" X 5"	10.16 In <sup>2</sup>	103	70	30	600
Small Pass-through	2" X 2.5"	4.14 In <sup>2</sup>	42	28	11	247

Capacities based on ICC's cable diameter

## FEATURES AND BENEFITS

- Cover included
- Wide finger opening
- Feed-through holes allows rear cable routing
- Mount on the side or in between distribution racks
- Compatible with most TIA specification distribution racks

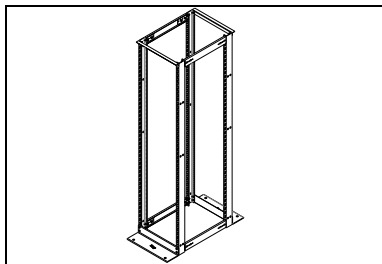
## OPTIONAL ACCESSORIES



**Two Post Distribution Rack, 7'**

**ICCMSR1984**

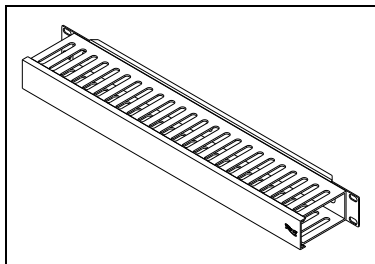
- Printed RMS numbering for easy installation
- Use with all ICC's rack mount products



**Four Post Distribution Rack, 7'**

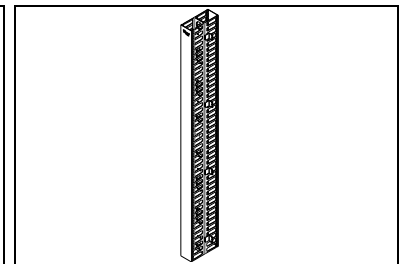
**ICCMSR4P84**

- Adjustable from 27" minimum to 32" maximum depth
- Use with all of ICC's rack mount products



**Horizontal Cable Management Panel**

- ICCMSMA41** Front Single Sided, 1 RMS
- ICCMSMA42** Front Single Sided, 2 RMS
- ICCMSMA61** Double Sided, 1 RMS
- ICCMSMA62** Double Sided, 2 RMS
- Slotted ducts provide neat appearance
- Fits standard 19" racks and cabinets



**Vertical Cable Management Panel**

- ICCMSMA82** Double Sided, Center
- ICCMSMA83** Double Sided, Side
- ICCMSMA84** Double Sided, Flat
- Provides a neat and clean appearance

888-ASK-4ICC

csr@icc.com

icc.com