



# 66 Block

## INSTALLATION INSTRUCTIONS

### ICC's Preterminated 66 Wiring Blocks with 8 or 12 Jacks

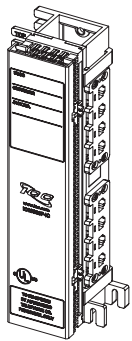
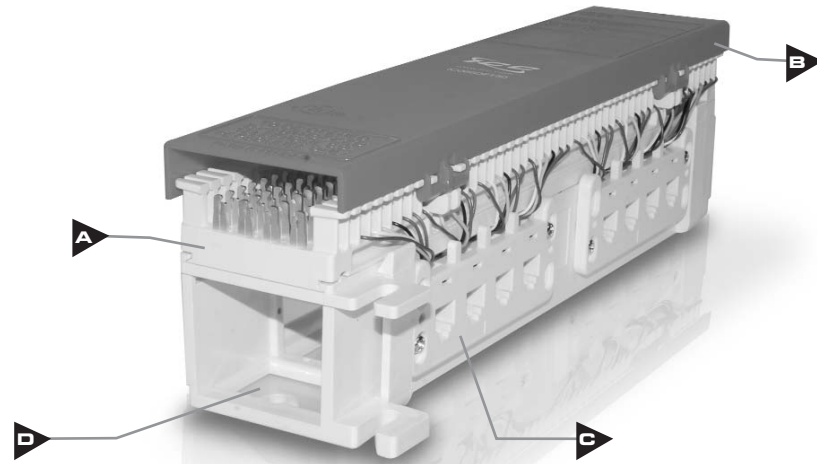
ICC's Preterminated 66 wiring blocks with 8 or 12 jacks are easy to install and cut installation time in half. ICC's 66 blocks can be used in a variety of applications including residential and commercial applications, and work with different types of low speed data and voice systems. Choose from 6P4C, 6P6C, or 8P8C 66 wiring blocks.

This installation instruction is designed for the following part numbers:

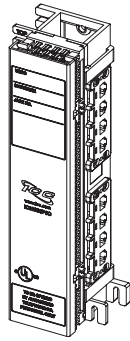
- IC06626P4C**
- IC06686P6C**
- IC06628P8C**

#### INCLUDES:

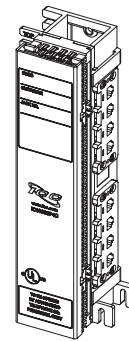
- A** Preterminated 66 Block
- B** Hinged Cover
- C** Jack Bezel
- D** 89D Mounting Bracket



**IC06626P4C**  
Preterminated 66-Block with 12 RJ-11 6P4C Jacks:  
(1) Preterminated 66 Block  
(1) 89D Mounting Bracket  
(12) 6P4C RJ-11 Jacks  
(1) Hinged Cover



**IC06686P6C**  
Preterminated 66-Block with 8 RJ-11 6P6C Jacks:  
(1) Preterminated 66 Block  
(1) 89D Mounting Bracket  
(8) 6P6C RJ-11 Jacks  
(1) Hinged Cover

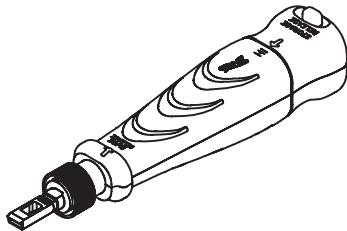


**IC06628P8C**  
Preterminated 66-Block with 12 RJ-45 8P8C Jacks:  
(1) Preterminated 66 Block  
(1) 89D Mounting Bracket  
(12) 8P8C RJ-45 Jacks  
(1) Hinged Cover

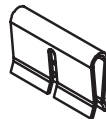
#### AVAILABLE ACCESSORIES

ICC recommends the following accessories for a fast and easy installation.

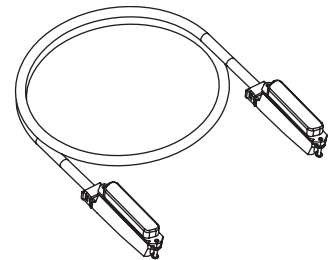
**Single Blade Punch Down Tool**  
**ICACSPDT00**



**66 Block Bridging Clips (25 Pack)**  
**IC066BC025**



**25-Pair Telco Cable**  
**ICPCSTXXXX**

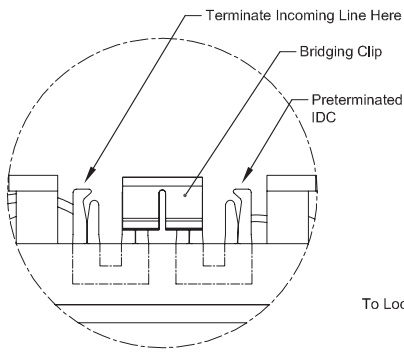


**CUSTOMER CARE / TECHNICAL SUPPORT • CSR@ICC.COM / 888-275-4422 (ASK-4-ICC)**

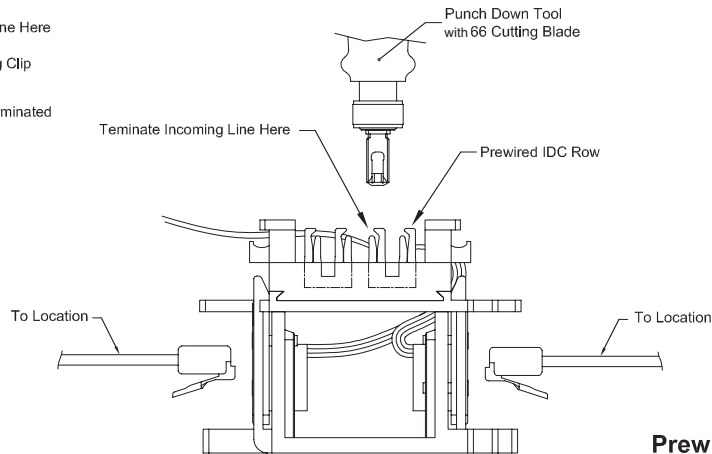
[www.icc.com](http://www.icc.com)

## Terminating Incoming Line

Terminating the incoming line on the 66 Block requires using a punch down tool with a 66 terminating blade.

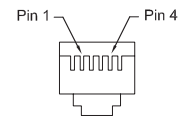


If using ICC's bridging clips use the configuration shown above.

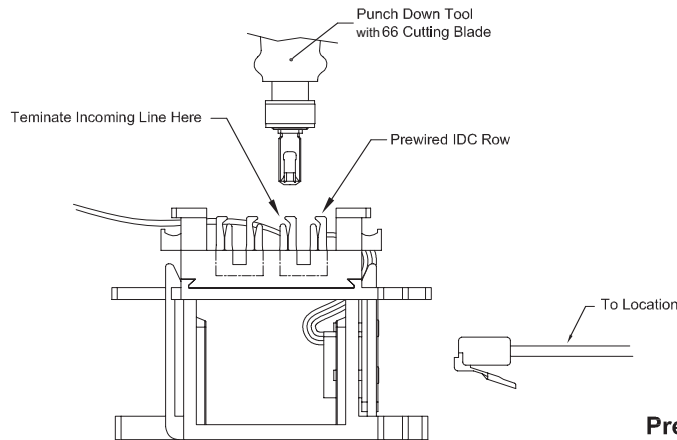


### Color Scheme

PIN	WIRE COLOR
1	BLACK
2	RED
3	GREEN
4	YELLOW

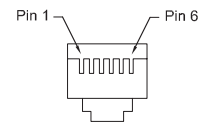


**IC06626P4C**  
Prewired 66-Block with 12 RJ-11 6P4C Jacks

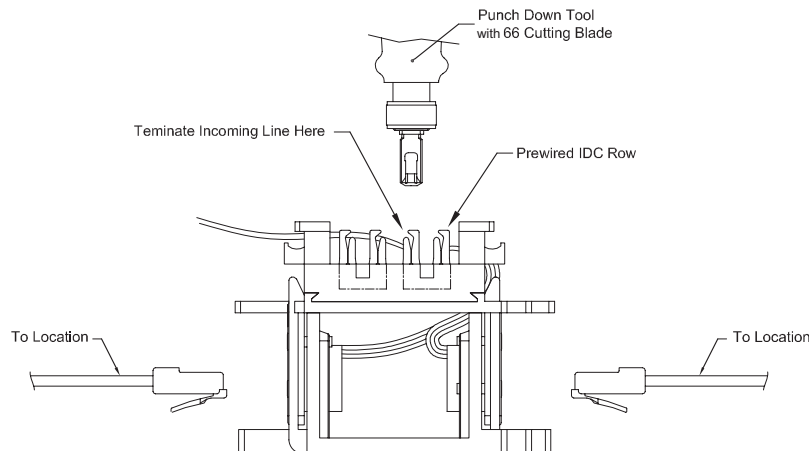


### Color Scheme

PIN	WIRE COLOR
1	WHITE
2	BLACK
3	RED
4	GREEN
5	YELLOW
6	BLUE

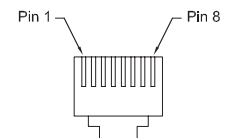


**IC06686P6C**  
Prewired 66-Block with 8 RJ-11 6P6C Jacks



### Color Scheme

PIN	WIRE COLOR
1	BLUE
2	ORANGE
3	BLACK
4	RED
5	GREEN
6	YELLOW
7	BROWN
8	WHITE



**IC06628P8C**  
Prewired 66-Block with 12 RJ-45 8P8C Jacks