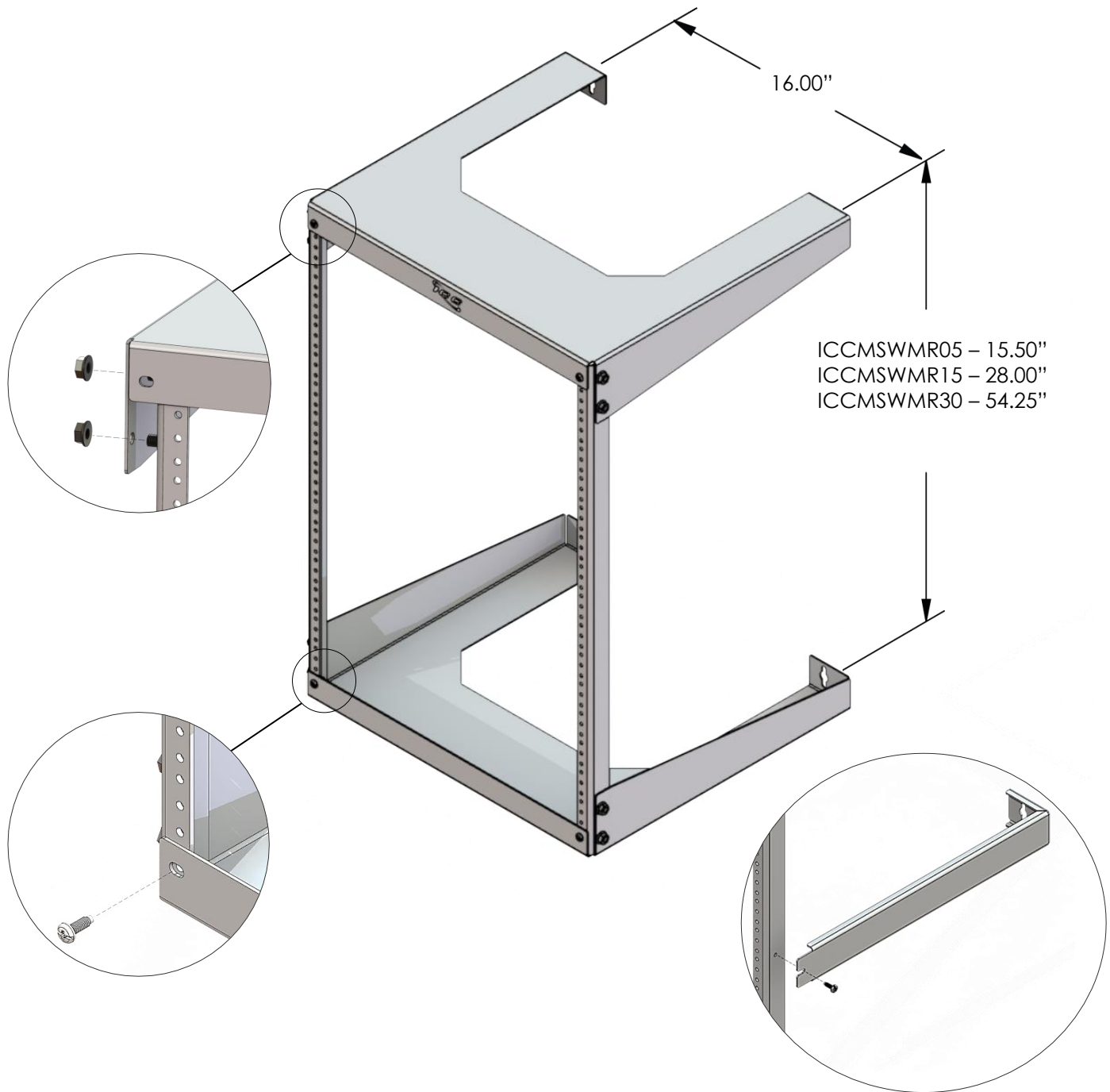




Wall Mount Racks

INSTALLATION INSTRUCTIONS



ICCMSWMR05 – 15.50"
ICCMSWMR15 – 28.00"
ICCMSWMR30 – 54.25"

Note: Middle support
for ICCMSWMR30 only

888-ASK-4ICC

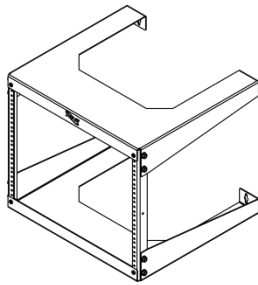
csr@icc.com

icc.com

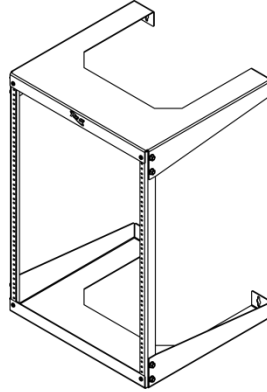
Wall Mount Racks

Package Includes:

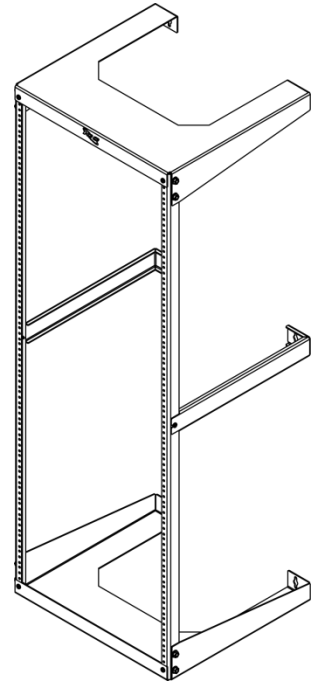
Part Number:	ICCMSWMR08	ICCMSWMR15	ICCMSWMR30
Top Support	1 PC	1 PC	1 PC
Bottom Support	1 PC	1 PC	1 PC
Middle Support	N/A	N/A	2 PCS
Side Rail	2 PCS – 16.89"L	2 PCS – 29.14"L	2 PCS – 52.39"L
Flange Nut	8 PCS	8 PCS	8 PCS
#12-24 x 5/8" Screw	4 PCS	4 PCS	6 PCS



PN: ICCMSWMR08



PN: ICCMSWMR15

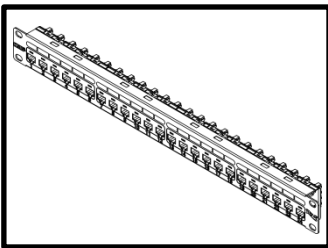


PN: ICCMSWMR30

FEATURES & BENEFITS

- Black painted steel designed to support up to 125 pounds of networking equipment
- Ideal for small data and telecom installations where space limitations prohibit the use of floor mount racks
- Designed with a 18" depth making it ideal for installing voice and data equipment such as patch panels, active components, shelves, drawers, and cable management products creating a neat, structured, and organized cabling system
- Used with all ICC rack mounts

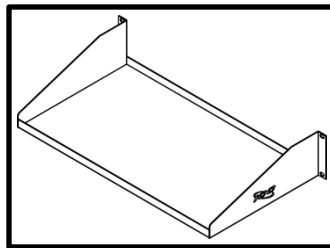
OPTIONAL ACCESSORIES



Patch Panel

ICMPP024xx* 24 Port, 1 RMS
ICMPP048xx* 48 Port, 2 RMS

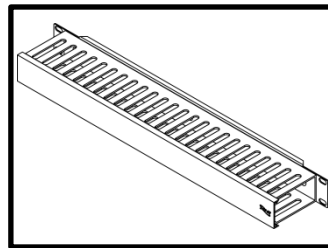
xx*: 5E (CAT 5e), 60 (CAT 6),
 6B (CAT 6A),



Shelves

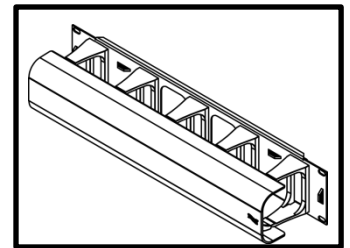
ICCMSRSFxx* Solid Bottom
ICCMSRSVxx* Vented Bottom

xx* (RMS): 10 (10 RMS) or 15
 (15 RMS)



Horizontal Cable Management Panel

ICCMSMA41 Front Single Sided, 1 RMS
ICCMSMA42 Front Single Sided, 2 RMS
ICCMSMA61 Double Sided, 1 RMS
ICCMSMA62 Double Sided, 2 RMS



Cable Management Interbay

ICCMSMA51 1U, Plastic Ring with cover
ICCMSMA52 2U, Plastic Ring with cover
ICCMSMPK1 1U, Metal Ring with cover
ICCMSMPK2 2U, Metal Ring with cover

888-ASK-4ICC

csr@icc.com

icc.com