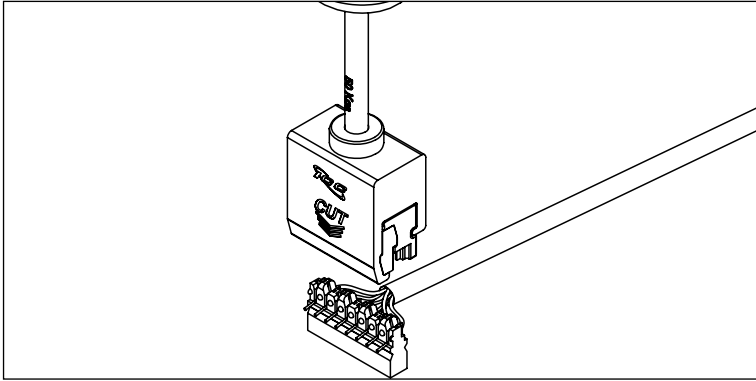




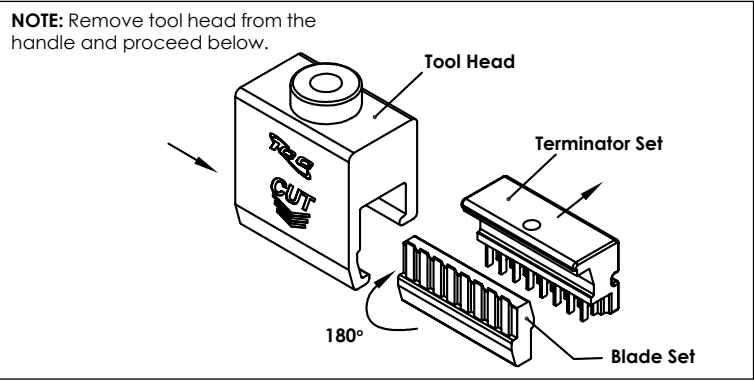
# 4-Pair Punch-Down Tool

## INSTALLATION INSTRUCTIONS

**IMPORTANT:** For safety purposes, the tool head is set to have the cutting blades hidden to prevent injury. Follow the instructions below to expose the cutting blades.

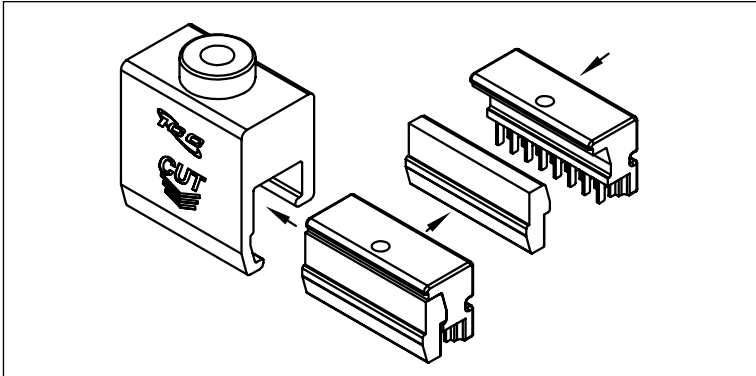


Step 1a: For terminating without the cutting wire, use the tool as is. For terminating and cutting wire, follow the next set of directions.

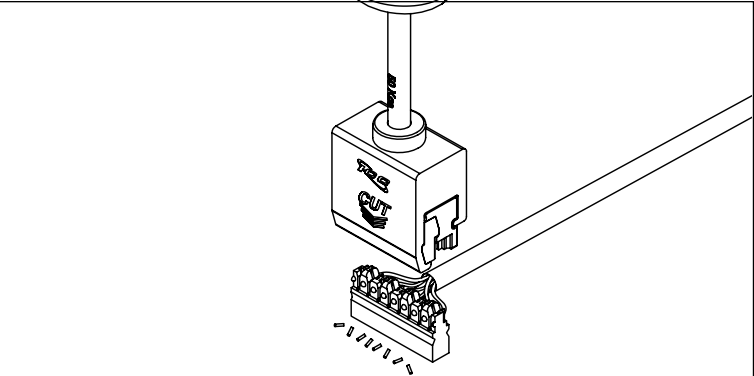


**NOTE:** Remove tool head from the handle and proceed below.

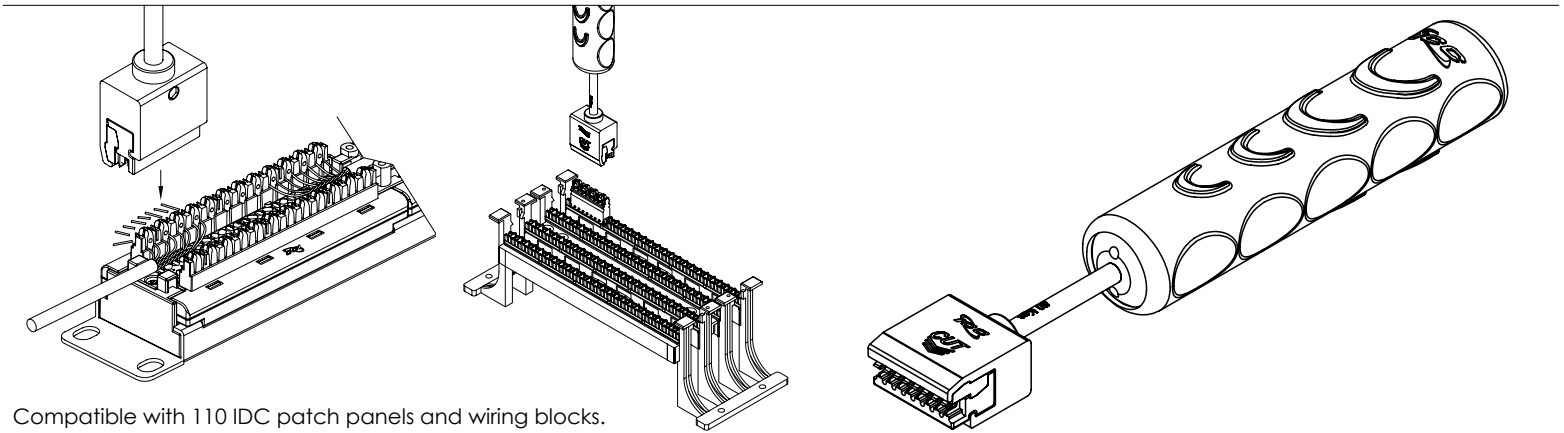
Step 1b: Push the terminator and blade set out of tool head body from side. Separate terminator set and blade set. Rotate base set 180°. The blades will point down at this point.



Step 2: Push the terminator head set and blade set back into tool head.



Step 3: Attach tool head to handle and punch down.



Compatible with 110 IDC patch panels and wiring blocks.

Item #	Description
ICACSPDT4P	4-Pair Punch-Down Tool (includes 4-Pair head)
ICACS04PH5	4-Pair Replacement Tool Head

## FEATURES AND BENEFITS

- Cushioned rubber handle helps absorb impact to reduce operator hand fatigue.
- Anti-slip raised grip helps keep hand from slipping.
- Ergonomic body provides comfort.

888-ASK-4ICC      csr@icc.com      icc.com