

AC ON LED is illuminated when AC power is present.

NOTE: All models are supplied with an AC Lockout Circuit, which prevents the "EXIT" legend from illuminating when the battery is connected and no AC power is present.

NOTE: All models are supplied with a Low Voltage Disconnect circuit, which prevents damage to the battery from deep discharge during prolonged emergency operation.

NOTE: Batteries are often shipped in a discharged state - this is normal. The battery will require charging. Allow several hours of charge before testing the unit.

Models With SPECTRON® Self-Testing/Self-Diagnostic Circuitry

Models equipped with the SPECTRON self-testing/self-diagnostic electronics system provide:

- Visual indication of AC power status
- Visual indication of self-diagnostic test cycle
- Battery disconnect
- Battery fault
- Transfer fault
- Charger fault
- Emergency Lamp fault

Visual indication of any unit malfunctions including:

Spectron equipped units also include:

Brownout protection: unit will automatically transfer to emergency operation upon detection of low AC power (approximately 80% of normal line).

Time Delay Retransfer: upon return of normal AC power, unit will remain in the emergency mode for an additional 15 minutes to allow AC power to stabilize.

LED Status Indicator

A bicolor LED (red/green) is provided on the control panel of all models equipped with Spectron option.

Green Operating Status Indicator

The green Operating Status Indicator serves as both an AC power and self-test indicator. During normal operation, the green Operating Status Indicator will be illuminated, indicating the presence of AC power. During all automatic or manual self-test cycles, the green Operating Status Indicator will blink at a 1 Hz rate.

Red Service Alert Indicator

Under normal operating conditions, the red Service Alert Indicator will remain off. In the event the Spectron controller detects a malfunction, the red Service Alert Indicator will blink at a 1 Hz rate, based on the following table:

Red Status Indicator Code	Description
One blink ON/pause	Battery not connected
Two blinks ON/pause	Battery fault
Three blinks ON/pause	Charger fault
Four blinks ON/pause	Transfer circuit fault
Five blinks ON/pause	Emergency Lamp fault

Automatic Tests

The unit will automatically initiate a self-test/self-diagnostic cycle based on the following table:

Testing Period	Duration of Test
Once a month	1 minute
Once every 6 months	Alternating: 30 minutes or 60 minutes

Manual Tests

Using the unit test switch, users can initiate different duration test cycles based on the following table:

Initiating Action	Test Cycle
Press test switch once	1 minute
Press test switch twice	90 minutes



MAINTENANCE

TROUBLE SHOOTING

- "EXIT" legend does not illuminate
 - check wiring connections
- Emergency Circuit does not work
 - Batteries are shipped uncharged and disconnected. Connect power pack leads charge before testing.
 - Make sure charger board is properly seated.
 - Check wiring connections.

MAINTENANCE

Signs should be tested and maintained in accordance with National Electrical Code and NFPA 101 Life Safety Code requirements. It is recommended that emergency exit signs be tested for 30 seconds once a month and for 90 minutes once a year.

RECYCLING INFORMATION

All thermoplastic parts are recyclable. All cartons contain recycled materials. Please recycle responsibly.



NOTICE:

Emergency model exit signs contain rechargeable Nickel Metal Hydride batteries which must be recycled or disposed of properly.

IMPORTANT SAFEGUARDS

When using electrical equipment, basic safety precautions should always be followed including the following:

READ AND FOLLOW ALL SAFETY INSTRUCTIONS

1. Do not use outdoors.
2. Do not let power supply cords touch hot surfaces.
3. Do not mount near gas or electric heaters.
4. Equipment should be mounted in locations and at heights where it will not readily be subject to tampering by unauthorized personnel.
5. The use of accessory equipment not authorized by the manufacturer may cause an unsafe condition.
6. Do not use this equipment for other than its intended purpose.
7. Servicing of this equipment should be performed by qualified service personnel.
8. Test cycling: the Life Safety Code (NFPA 101) requires testing of emergency exit signs once a month for a minimum of 30 seconds and once a year for a minimum of 90 minutes.

INSTALLER:

- SEE UNIT LABEL FOR ADDITIONAL MODEL SPECIFICATIONS
- SAVE THESE INSTRUCTIONS FOR USE BY OWNER/OCCUPANT

WARNING - This product contains chemicals known to the State of California to cause cancer, birth defects, and/or other reproductive harm. Thoroughly wash hands after installing, handling, cleaning, or otherwise touching this product.



WALL MOUNT

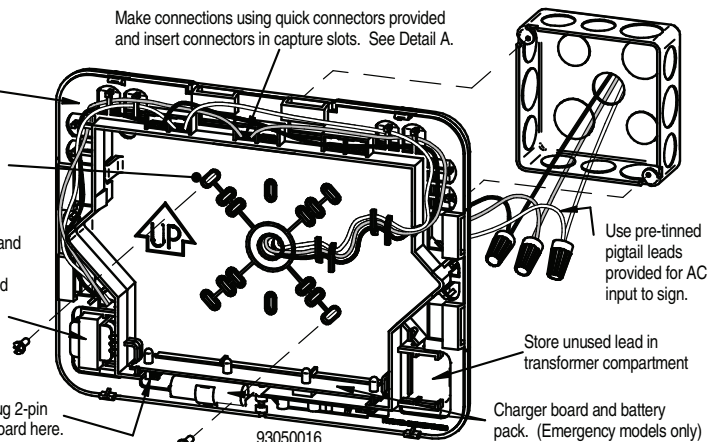
Secure wires with fingers in frame as shown.

Select appropriate knockouts for junction box.

AC transformer:
120VAC - connect to black and white leads.
277VAC - connect to red and white leads.

*For emergency models, plug 2-pin battery connector into PC board here.

Make connections using quick connectors provided and insert connectors in capture slots. See Detail A.



Use pre-tinned pigtail leads provided for AC input to sign.

Store unused lead in transformer compartment

Charger board and battery pack. (Emergency models only)

END MOUNT

Use pre-tinned pigtail leads provided for AC input to sign.

Secure wires with fingers in frame as shown.

Make connections using quick connectors provided and insert connectors in capture slots. See Detail A.

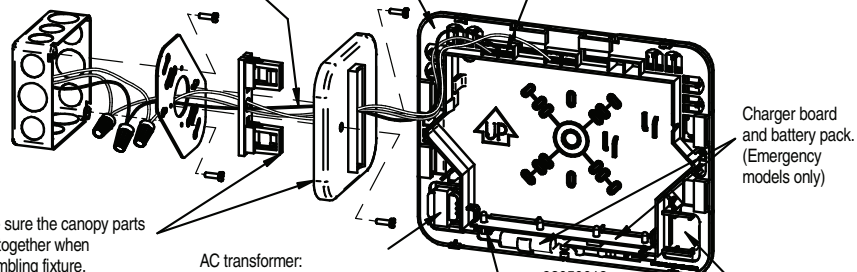
Make sure the canopy parts click together when assembling fixture.

AC transformer:
120VAC - connect to black and white leads.
277VAC - connect to red and white leads.

*For emergency models, plug 2-pin battery connector into PC board here.

Charger board and battery pack. (Emergency models only)

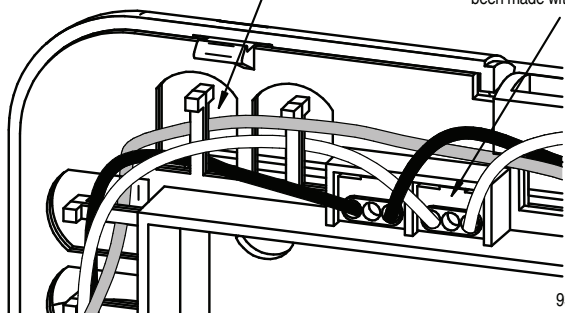
Store unused lead in transformer compartment



DETAIL -A-

Use the fingers in the frame to secure the wiring. Typical all signs.

Insert connectors in capture slots once the connections have been made with the provided connectors. Typical all signs.



93050016

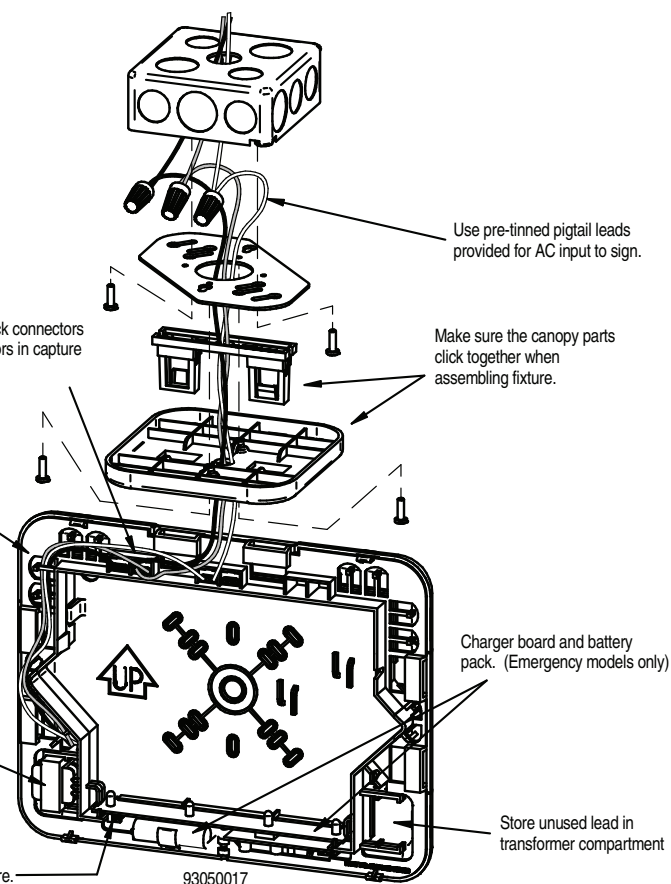
CEILING MOUNT

Make connections using quick connectors provided and insert connectors in capture slots. See Detail A.

Secure wires with fingers in frame as shown.

AC transformer:
120VAC - connect to black and white leads.
277VAC - connect to red and white leads.

*For emergency models, plug 2-pin battery connector into PC board here.



Use pre-tinned pigtail leads provided for AC input to sign.

Make sure the canopy parts click together when assembling fixture.

Charger board and battery pack. (Emergency models only)

Store unused lead in transformer compartment

OPTIONS

IMPORTANT Optional connection wires must be run before sign housing is attached to canopy.

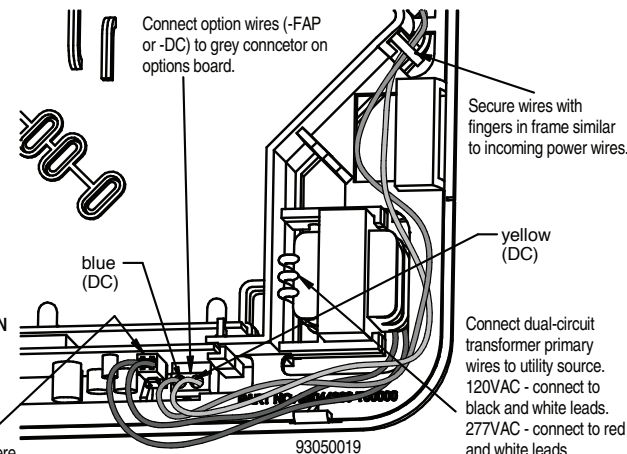
FIRE ALARM PANEL (-FAP) OPTION
FAP option connects to 24 volt AC or DC (purple wires). Flash Rate: .5 seconds on, .5 seconds off.

DC REMOTE (-DC) OPTION
DC Remote option connects to 6-24 volt DC [yellow(-), blue(+)].

FLASHER MODULE (-FM) OPTION
Emergency Mode Flash Rate: .5 seconds on, .5 seconds off.

AUDIBLE/FLASHER MODULE (-AF) OPTION
Emergency Mode Beep/Flash Rate: .5 seconds on, .5 seconds off.

Dual circuit transformer secondary wires connect to option board input connector here.



Connect option wires (-FAP or -DC) to grey connector on options board.

Secure wires with fingers in frame similar to incoming power wires.

yellow (DC)

Connect dual-circuit transformer primary wires to utility source. 120VAC - connect to black and white leads. 277VAC - connect to red and white leads.

93050019