

D

C

B

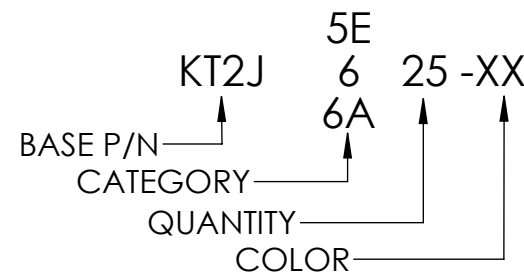
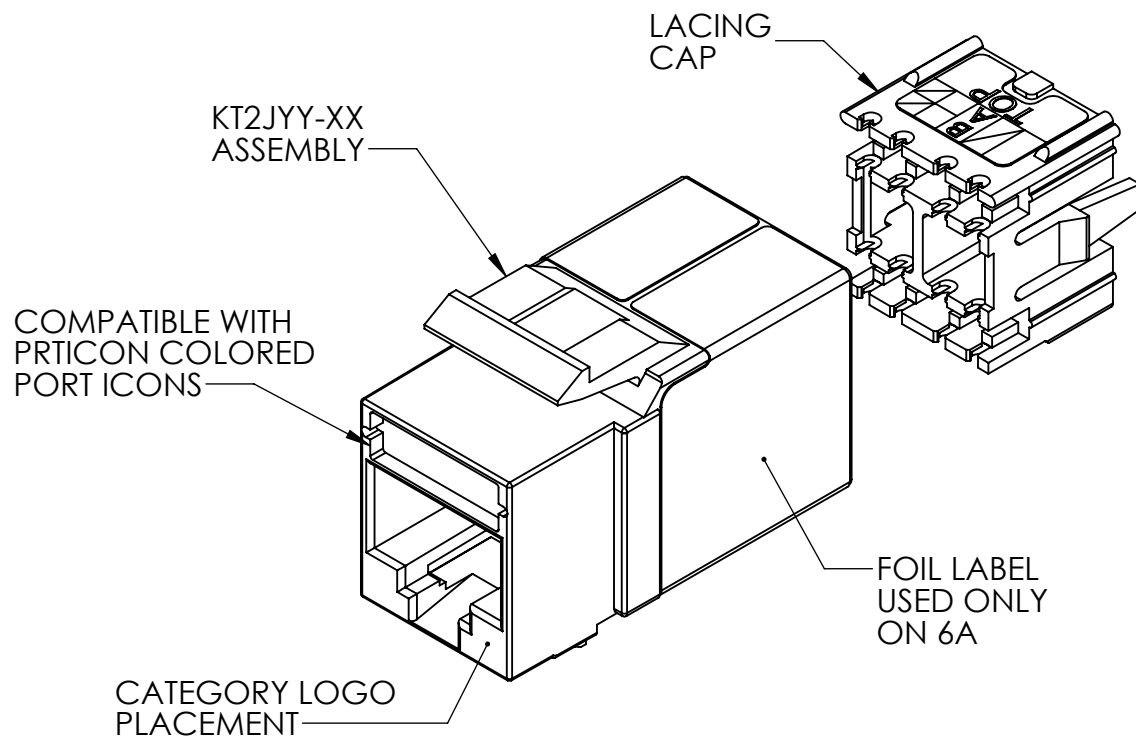
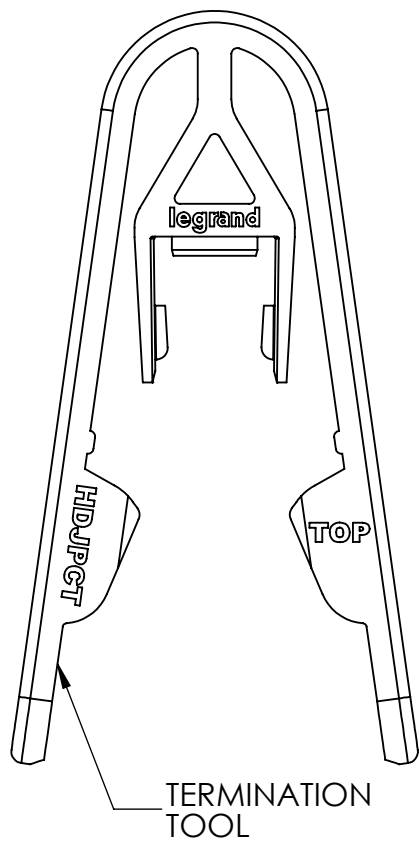
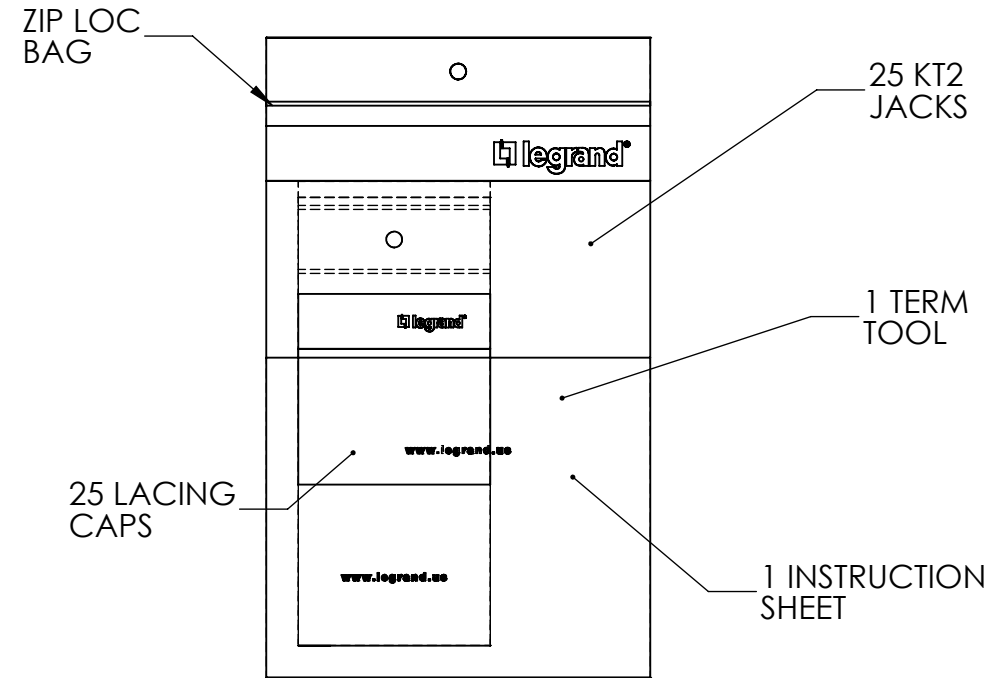
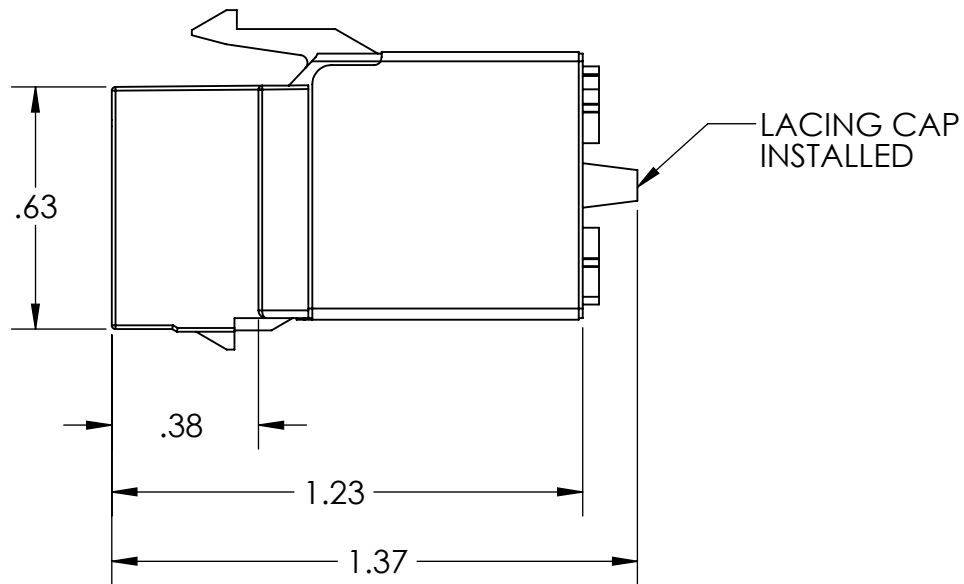
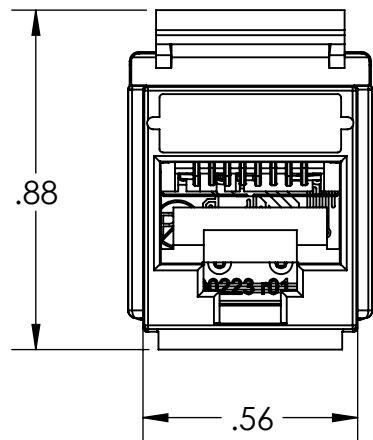
A

D

C

B

A



P/N	JACK TYPE	QTY
KT2J5E25-XX	CAT 5E	25
KT2J625-XX	CAT 6	25
KT2J6A25-XX	CAT 6A	25

-XX	JACK COLOR
BLANK	FOG WHITE
-00	BLACK
-36	BLUE
-88	WHITE

ONLY STD. COLORS SHOWN. CONTACT CSR REPRESENTATIVE FOR AVAILABILITY AND MINIMUM QUANTITIES FOR OTHER COLORS.

ALL DIMENSIONS ARE IN INCHES.

\*\*\* NOTICE \*\*\*  
THIS DOCUMENT CONTAINS CONFIDENTIAL AND/OR PROPRIETARY INFORMATION INTENDED FOR USE ONLY BY THE INDIVIDUAL(S) PROVIDED. NEITHER THIS DOCUMENT, NOR ANY INFORMATION CONTAINED HEREIN, MAY BE COPIED, DISTRIBUTED, DISCLOSED TO ANY THIRD PARTY OR USED IN ANY MANNER OTHER THAN FOR WHICH IT HAS BEEN PROVIDED, WITHOUT THE PRIOR WRITTEN CONSENT OF LEGRAND, INC. MANUFACTURING RELEASE. PRODUCT SPECIFICATIONS AND STANDARDS ARE SUBJECT TO CHANGE WITHOUT NOTICE.

WWW.LEGRAND.US

TITLE: KEYSTONE JACK, HD TERM, YY CATEGORY, XX COLOR, PACK OF 25

NAME	DATE	SIZE	CAD FILE	DWG NO	REV
DWN	KC	B	KT2JYY25XXC	KT2JYY25-XX	02
CHK	CAC				
APPR	G.JL				

SCALE: 2:1    WEIGHT:    SHEET: 1 OF 1

4

3

2

1