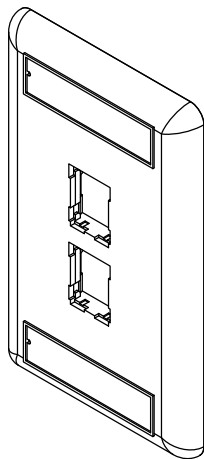
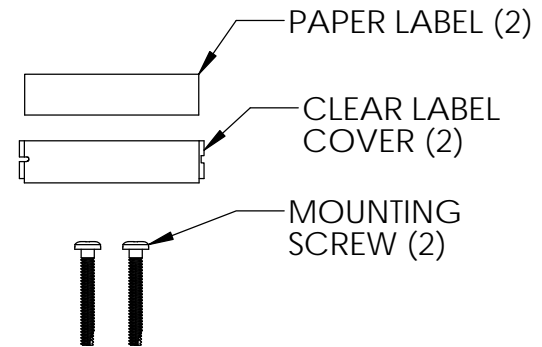
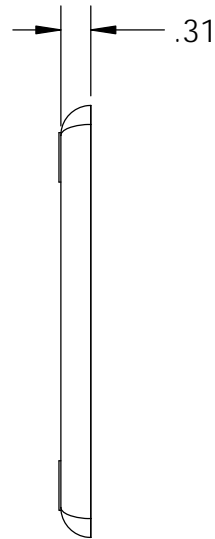



FACEPLATE (FP)



PART NUMBER	COLOR
OR-403HDJ12	FOG WHITE
OR-403HDJ12-88	WHITE

NOTE: ALL DIMENSIONS ARE IN INCHES
 IF * IS NEXT TO PART NUMBER, MINIMUM QUANTITIES ARE REQUIRED.
 CONTACT YOUR CUSTOMER SERVICE REPRESENTATIVE (CSR).

<p>*** NOTICE *** THIS DOCUMENT CONTAINS CONFIDENTIAL AND/OR PROPRIETARY INFORMATION INTENDED FOR USE ONLY BY THE INDIVIDUAL(S) PROVIDED. NEITHER THIS DOCUMENT, NOR ANY INFORMATION CONTAINED HEREIN, MAY BE COPIED, DISTRIBUTED, DISCLOSED TO ANY THIRD PARTY OR USED IN ANY MANNER OTHER THAN FOR WHICH IT HAS BEEN PROVIDED, WITHOUT THE PRIOR WRITTEN CONSENT OF ORTRONICS, INC. MANUFACTURING RELEASE, PRODUCT SPECIFICATIONS AND STANDARDS ARE SUBJECT TO CHANGE WITHOUT NOTICE.</p>					<p>125 EUGENE O'NEILL DRIVE NEW LONDON, CT 06320 TEL: 860-445-3800 FAX: 860-405-2990 WWW.ORTRONICS.COM</p>	
TITLE			FP HDJ 2 HOLE SG, LABEL, COVER, SCREW KIT			
	NAME	DATE	SIZE	CAD FILE	DWG NO	REV
DWN	MM	10/31/2013	A	403HDJ12XXC	OR-403HDJ12-XX	00
CHK	GL/CAC	11/1/2013	SCALE 1:2		SHEET 1 OF 1	
APPR	JJM	11/1/2013				