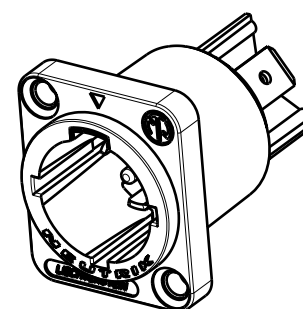
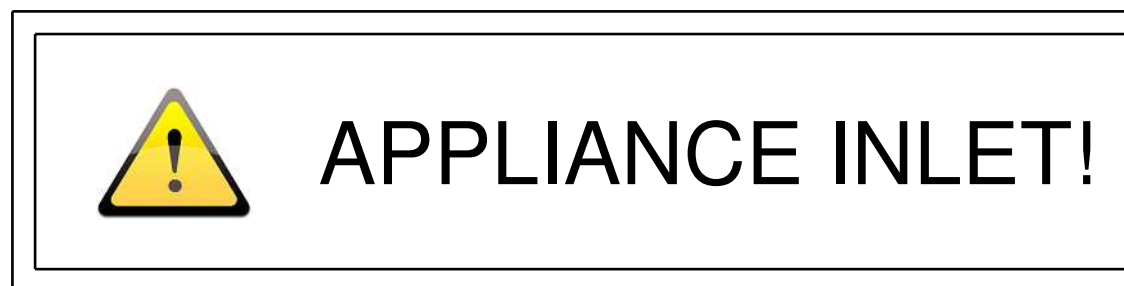
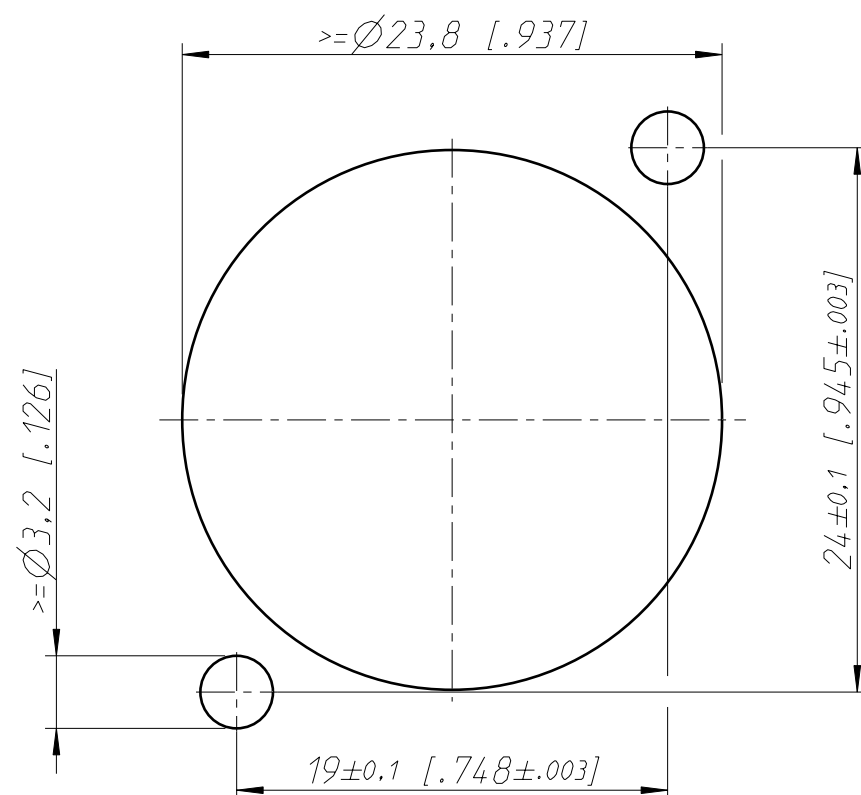


Frontplattenausschnitt Rückseite
panel cutout rearside



M1:1

General tolerances ISO 2768-m		Scale	Date	Name
Refer to protection notice ISO 16016.		3:1 (A3)	03.05.18	Ender
Name		Modified	Change-No.	Sheet-No.
powerCON TRUE1 TOP NAC3MPX-TOP		-	-	1 / 1
Replacement for:		Drawing-No.		
NEUTRIK		ST-NAC3MPX-TOP		