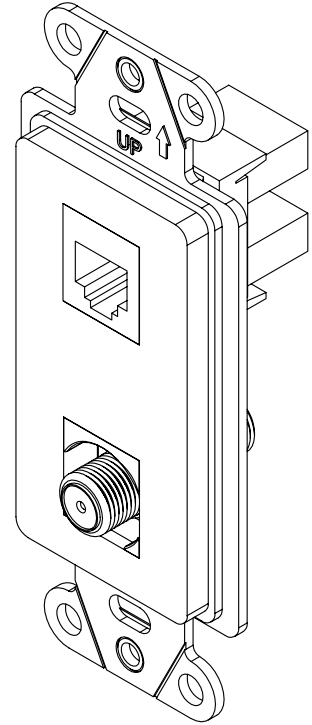


2

1

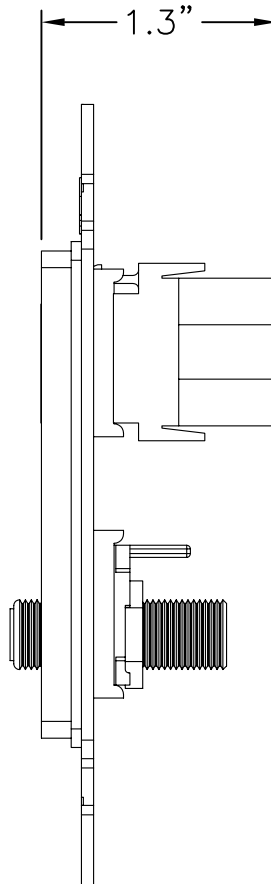
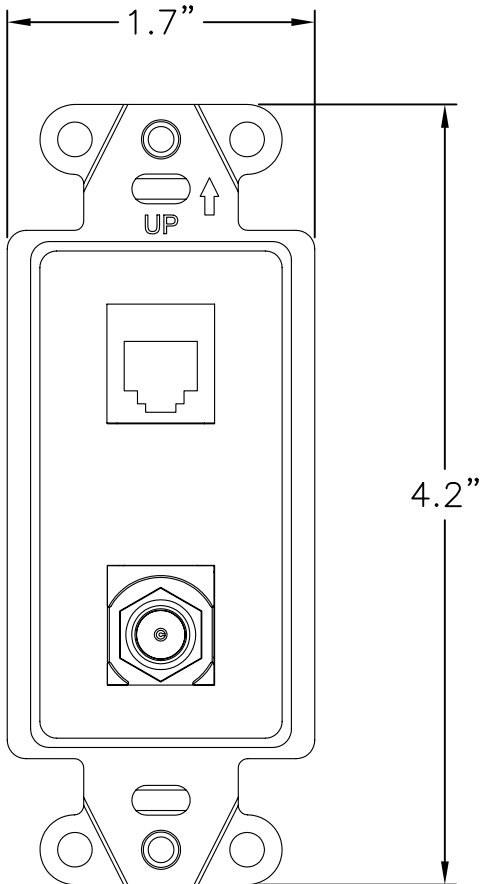
NOTES:

- 1. CAT5E RJ45 AND F-CONNECTOR PREASSEMBLED IN A 2 PORT DECORATOR STRAP
- 2. COLORS AVAILABLE:
BLACK
LIGHT ALMOND
WHITE



B

B



A

A

PROPRIETARY AND CONFIDENTIAL
THE INFORMATION CONTAINED
IN THIS DRAWING IS THE SOLE
PROPERTY OF On-Q/LEGRAND.
ANY REPRODUCTION IN PART OR
AS A WHOLE WITHOUT THE WRITTEN
PERMISSION OF On-Q/LEGRAND
IS PROHIBITED. DRAWING IS SUBJECT
TO CHANGE WITHOUT NOTICE.

on·Q

legrand

P.O. Box 60907
Middletown, PA 17106-0907
1-800-321-2343

TITLE:

**PRECONFIGURED 2 PORT STRAP
PHONE/RJ45, TV/F-CONNECTOR**

SIZE A	DWG NO WP3211	FILE NAME CD-WP3211	CUST REV 1
REVISED DATE 11/09/07	SCALE NONE	SHEET 1 OF 1	

2

1